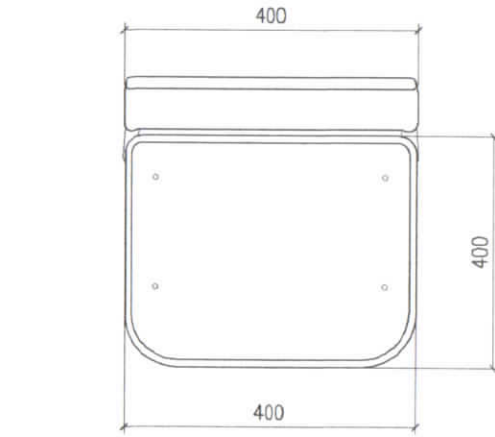


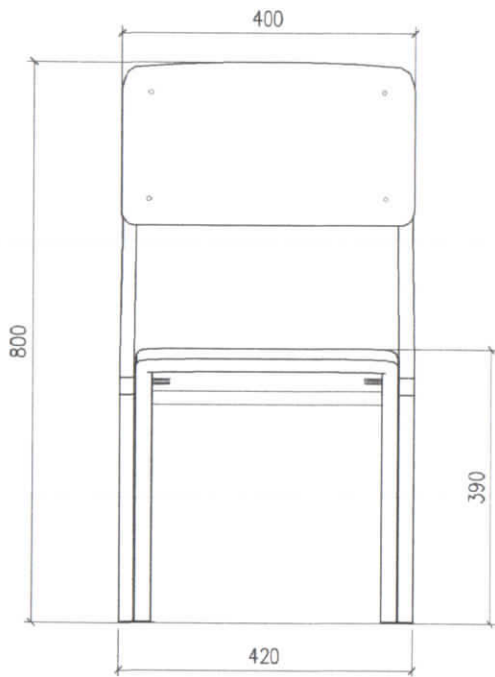
E-BAMBOO & STEEL
 1
 1 SCALE ISOMETRIC VIEW OF LEARNER'S CHAIR - M

1 TECHNICAL SPECIFICATIONS OF LEARNER'S CHAIR		
MARK	COMPONENT	SPECIFICATIONS
A	SEAT	15mm THK E-BAMBOO TOP BOARD WITH ROUND CORNERS & EDGES
B	BACKREST	
C	BACK SUPPORT	BI PIPE TUBE 1.0mm x 22mm ϕ
D	SEAT SUPPORT	BI PIPE TUBE 1.0mm x 19mm ϕ
E	BACK LEG	BI PIPE TUBE 1.0mm x 22mm ϕ
F	FRONT LEG	BI PIPE TUBE 1.0mm x 22mm ϕ
G	LOWER SEAT SUPPORT	SQUARE TUBE 1.0mm x 19mm x 19mm
H	COVER CAP	PLASTIC GLIDE
	CONNECTION	BACKREST / SEAT TO STEEL - 1mm THK 25mmx30mm FLAT BAR & #12 (5.49mm ϕ) CARRIAGE BOLT
		STEEL TO STEEL - FULL WELDING
SCHEDULE OF FINISHES		
BACKREST / SEAT	3 COATS OF VARNISH (SPRAY APPLICATION); SURFACE SHOULD BE EVEN & SMOOTH	
STEEL	60-80 MICRON POWDER COAT FINISH, BLACK	
DIMENSIONS OF LEARNER'S CHAIR (mm)		
COMPONENT	DIMENSIONS	
	ELEMENTARY	SECONDARY
SEAT HEIGHT	390	410
SEAT DEPTH	400	400
SEAT WIDTH	400	400
BACKREST HEIGHT	800	800
BACKREST WIDTH	400	400

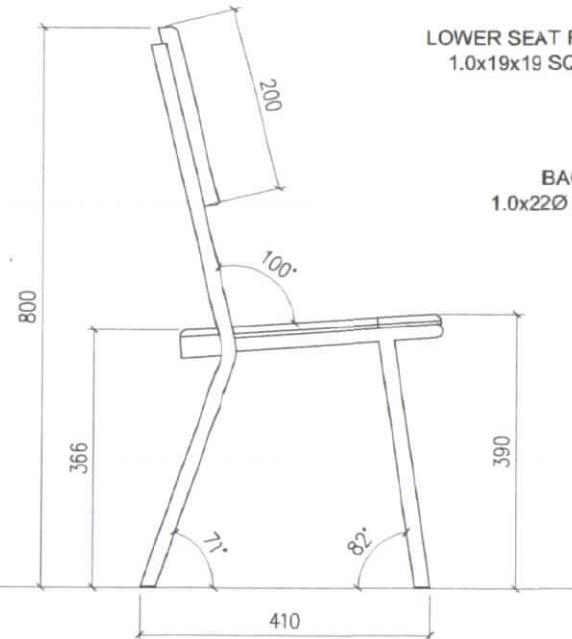
LEARNER'S CHAIR – ELEMENTARY



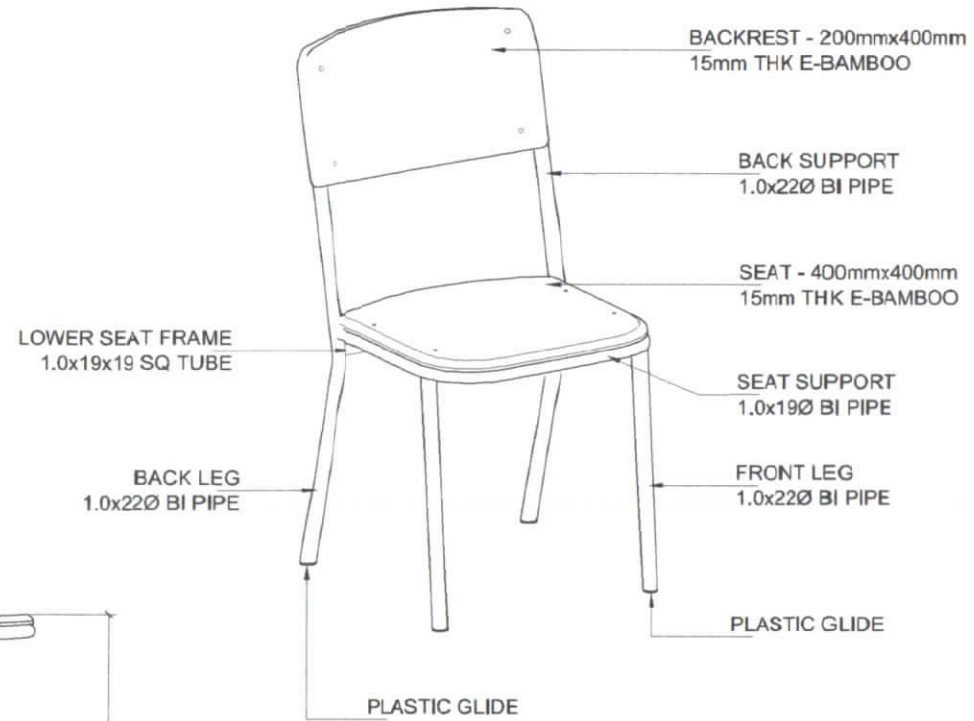
TOP VIEW








FRONT VIEW



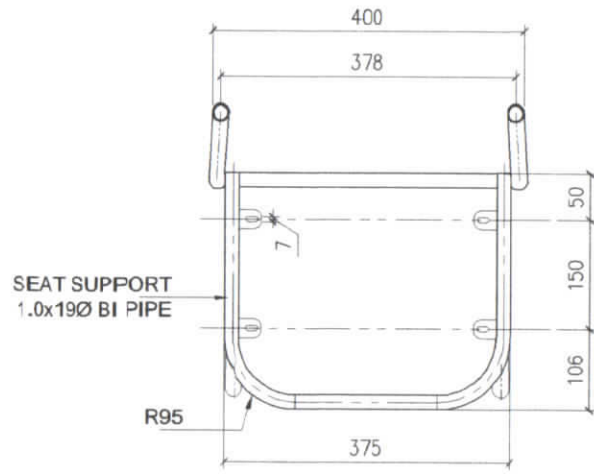
SIDE VIEW



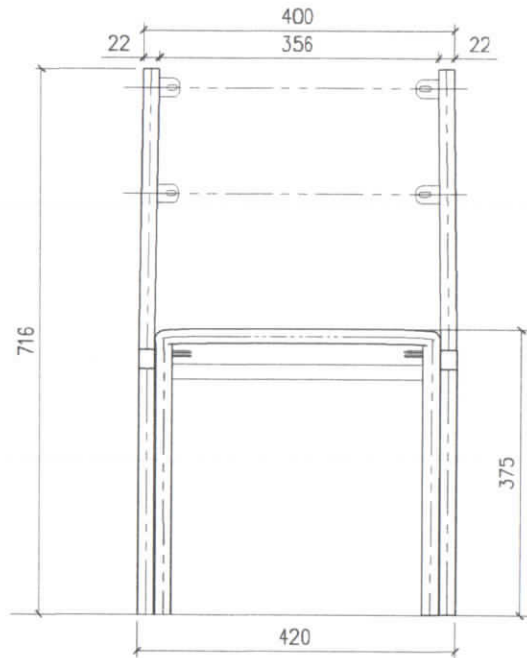
PERSPECTIVE VIEW

<p>REPUBLIC OF THE PHILIPPINES</p>  <p>DEPARTMENT OF EDUCATION EDUCATION FACILITIES DIVISION 80 RAJA MATA AVENUE, PASIG CITY</p>	<p>PREPARED BY:</p>  <p>JET RAYMOND C. ALABASO ARCHITECT</p>	<p>RECOMMENDING APPROVAL:</p>  <p>ENGR. ANABELLE R. PANGAN CHIEF – EDUCATION FACILITIES DIVISION</p>	<p>APPROVED BY:</p>   <p>ALAIN DELA CRUZ PASQUA UNDERSECRETARY FOR ADMINISTRATION</p>	<p>PROJECT TITLE:</p> <p>LEARNER'S CHAIR (E-BAMBOO & STEEL)</p> <p>CY 2021</p>	<p>SHEET CONTENTS</p> <p>TOP, FRONT, SIDE & PERSPECTIVE VIEWS</p>	<p>SHEET NO.</p> <p>2 5</p>
---	---	--	---	---	---	---------------------------------

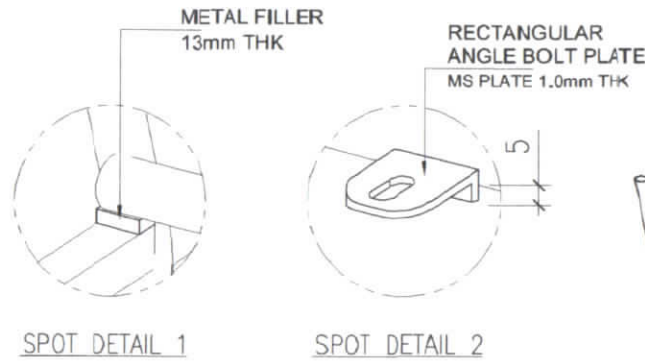
LEARNER'S CHAIR – ELEMENTARY



TOP VIEW

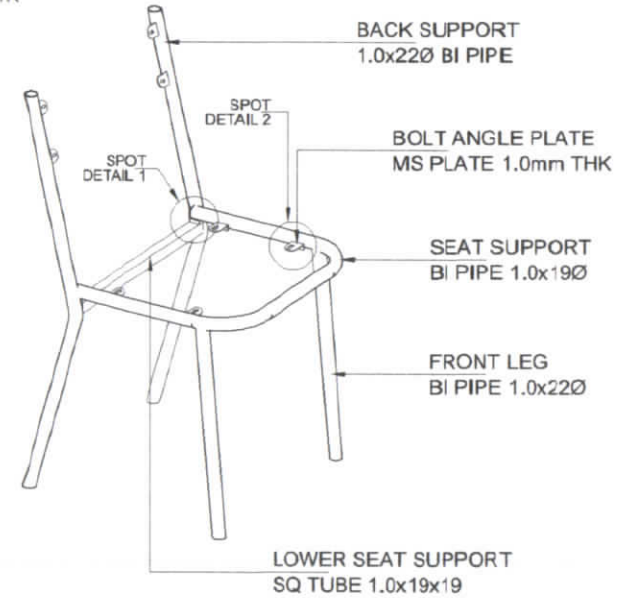


FRONT VIEW

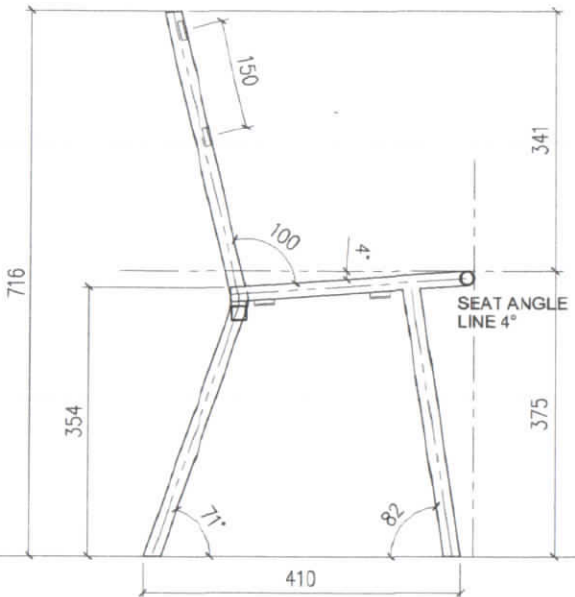


SPOT DETAIL 1

SPOT DETAIL 2



STEEL FRAMING PERSPECTIVE VIEW



SIDE VIEW



REPUBLIC OF THE PHILIPPINES
DepEd
 DEPARTMENT OF EDUCATION
 EDUCATION FACILITIES DIVISION
 MABALACAT, PANGASINAN

PREPARED BY:

JET RAYMOND G. ALABASO
 ARCHITECT

RECOMMENDING APPROVAL:

ENGR. ANNABELLE R. PANGAN
 CHIEF - EDUCATION FACILITIES DIVISION

APPROVED BY:

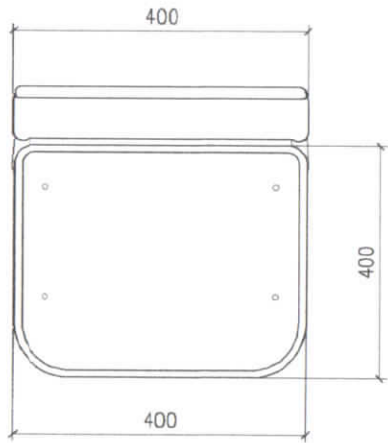
ALANI DEL B. PASQUA
 UNDERSECRETARY FOR ADMINISTRATION

PROJECT TITLE:
**LEARNER'S CHAIR
 (E-BAMBOO & STEEL)**

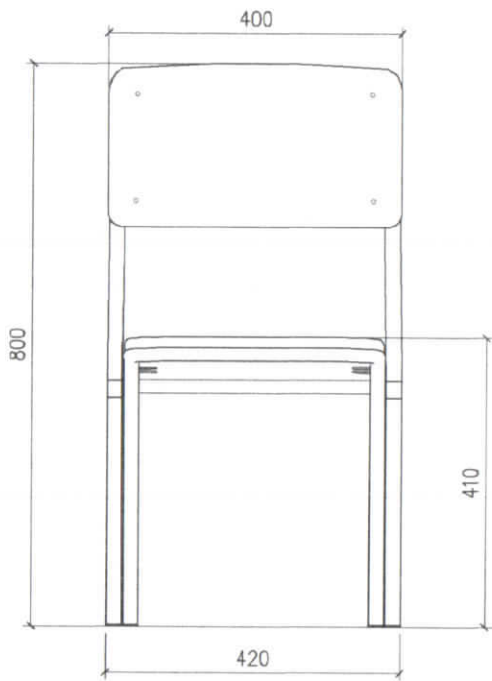
SHEET CONTENTS:
 TOP, FRONT & SIDE VIEWS OF STEEL FRAMING
 PERSPECTIVE VIEW OF STEEL FRAMING

SHEET NO.:
 3
 5

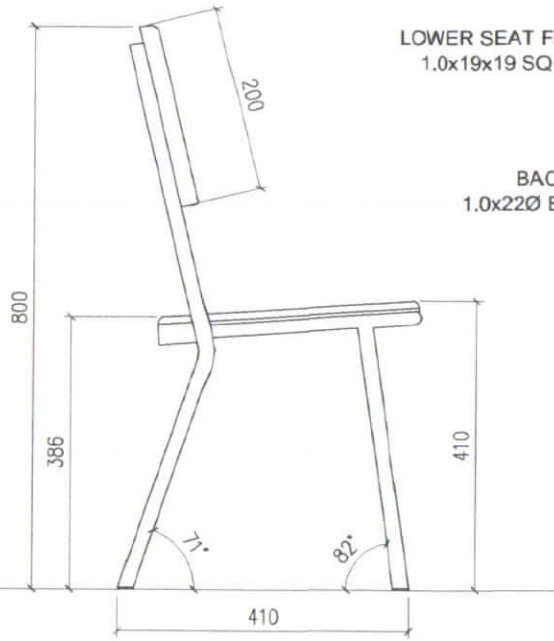
LEARNER'S CHAIR – SECONDARY



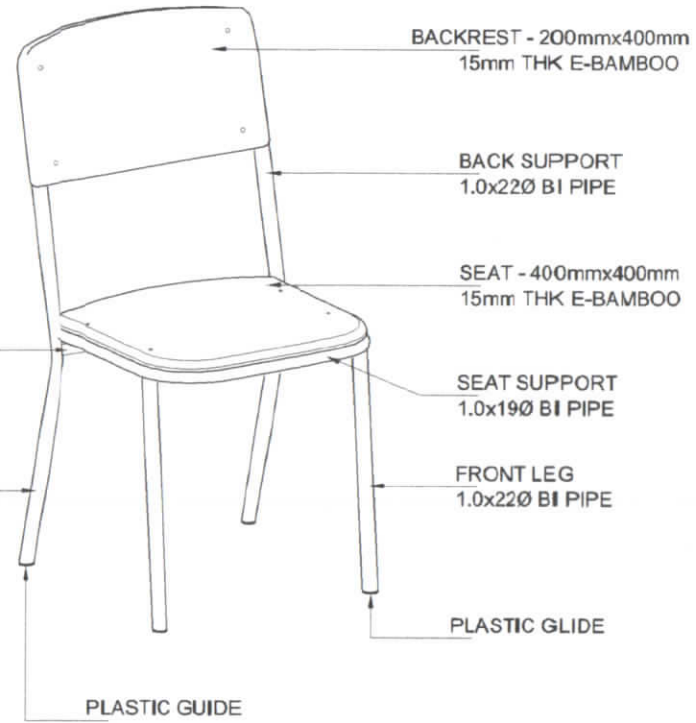
TOP VIEW




FRONT VIEW



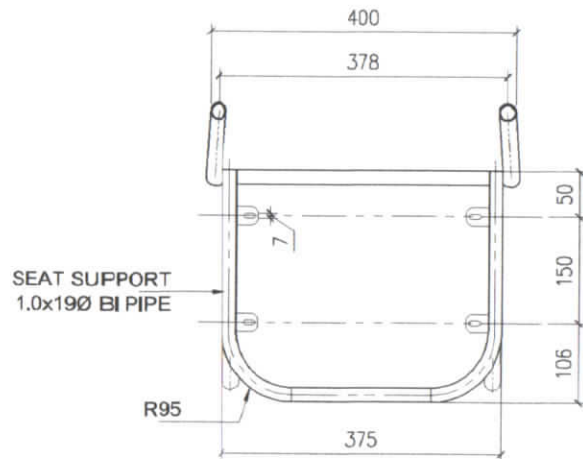
SIDE VIEW



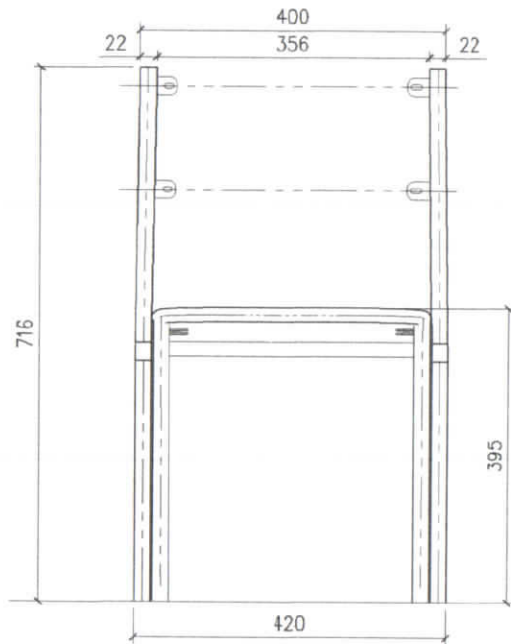
PERSPECTIVE VIEW

 <p>REPUBLIC OF THE PHILIPPINES DepED DEPARTMENT OF EDUCATION EDUCATION FACILITIES DIVISION MERRILL AVENUE, PASIG CITY</p>	<p>PREPARED BY:</p>  <p>JET RAYMOND G. ALABASO ARCHITECT</p>	<p>RECOMMENDING APPROVAL:</p>  <p>ENGR. ANNABELLE R. PANGAN CHIEF – EDUCATION FACILITIES DIVISION</p>	<p>APPROVED BY:</p>   <p>ALAIN DEL B. PASDUA UNDERSECRETARY FOR ADMINISTRATION</p>	<p>PROJECT TITLE:</p> <p>LEARNER'S CHAIR (E-BAMBOO & STEEL)</p> <p>CY 2021</p>	<p>SHEET CONTENTS:</p> <p>TOP, FRONT, SIDE & PERSPECTIVE VIEWS</p>	<p>SHEET NO.</p> <p>4</p> <p>5</p>
--	---	---	--	---	--	------------------------------------

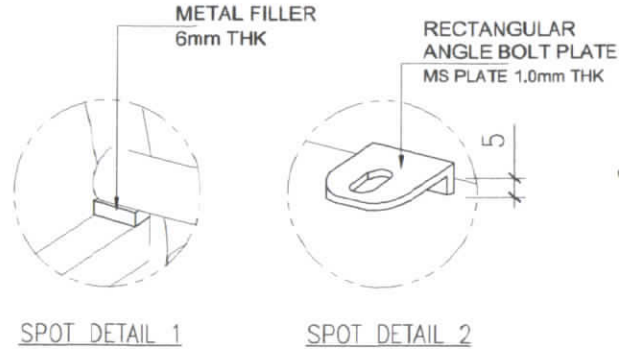
LEARNER'S CHAIR – SECONDARY



TOP VIEW

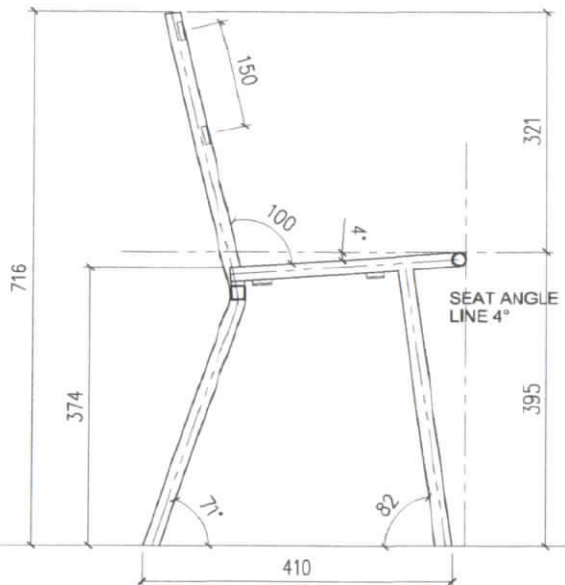


FRONT VIEW

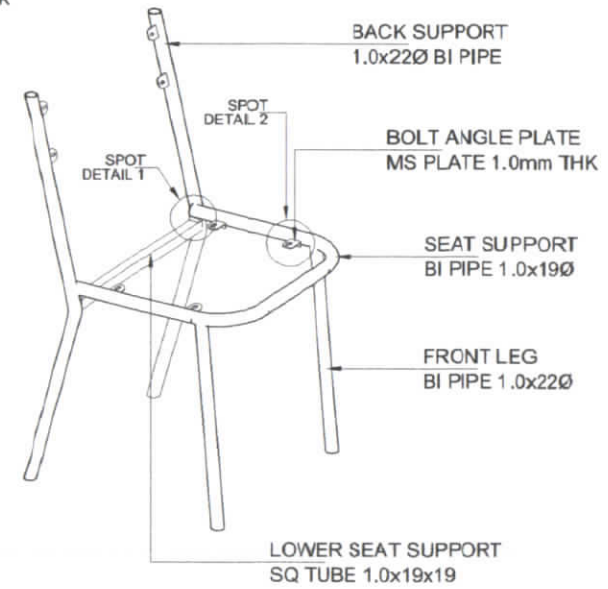


SPOT DETAIL 1



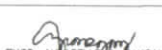

SPOT DETAIL 2



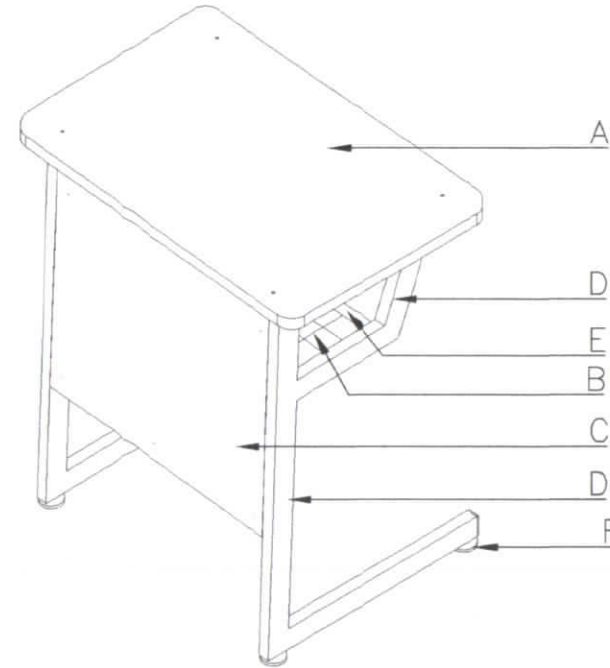
SIDE VIEW



STEEL FRAMING PERSPECTIVE VIEW

 <p>DEPARTMENT OF EDUCATION EDUCATION FACILITIES DIVISION MORALCO AVENUE, PASIG CITY</p>	PREPARED BY:  JET RAYMOND S. ALABASO ARCHITECT	RECOMMENDING APPROVAL:  ENGR. ANABELLE R. PANGAN CHIEF - EDUCATION FACILITIES DIVISION	APPROVED BY:  ALAIN DEL B. PASCUA UNDERSECRETARY FOR ADMINISTRATION	PROJECT TITLE: LEARNER'S CHAIR (E-BAMBOO & STEEL)	SHEET CONTENTS: TOP, FRONT & SIDE VIEWS OF STEEL FRAMING PERSPECTIVE VIEW OF STEEL FRAMING	SHEET NO.: 5 5
	CY 2021					





1	TECHNICAL SPECIFICATIONS OF LEARNER'S TABLE	
MARK	COMPONENTS	SPECIFICATIONS
A	TABLE TOP	15mm THK E-BAMBOO TOP BOARD WITH ROUND CORNERS & EDGES
B	SHELF	METAL WIRE MESH 4MMTHKX50X50
C	FRONT COVER	6MM THK FRONT COVER (1 SIDE 1.0MM THK HIGH PRESSURE LAMINATE / 1 SIDE VARNISH FINISHES ON MARINE PLYWOOD)
D	MAIN FRAME	1.0MMTHKX20MMX40MM STEEL TUBULAR
E	SECONDARY FRAME	1.0MMTHKX20MMX20MM STEEL TUBULAR
F	ADJUSTABLE LEVELER	8MMØ THREAD WITH 38MMØ PLASTIC BASE
	CONNECTOR/FLAT BAR	1MMTHKX25MMX50MM STEEL FLAT BAR (TABLE TOP:4PCS;SCREW)
	CONNECTION	E-BAMBOO TO STEEL: SCREW: M5X12MM LENGTH SCREW: RIVETS: BLIND RIVET STEEL TO STEEL: FULL WELDING FOR TUBULAR TO FLAT BAR/CONNECTION STEEL TO STEEL (KNOCKDOWN): BOLT AND NUT FOR STEEL TUBULAR KD DESIGN IS FOR BIDDER TO PROPOSE



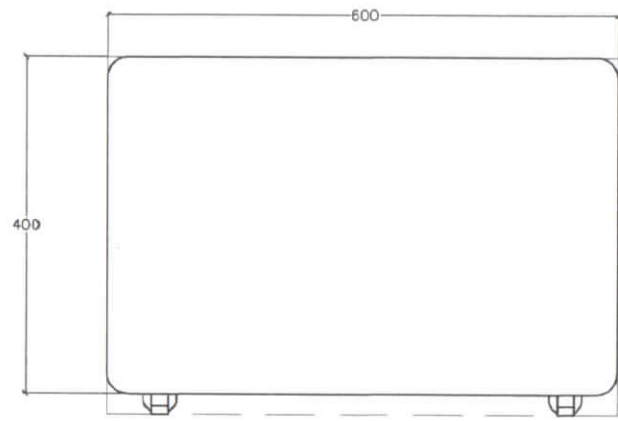
1 ISOMETRIC VIEW OF LEARNER'S TABLE
1 SCALE -M

2	SCHEDULE OF FINISHES	
TOP BOARD	3 COATS OF VARNISH (SPRAY APPLICATION); SURFACE SHOULD BE EVEN & SMOOTH	
FRONT COVER	1 SIDE 1.0MM THK HIGH PRESSURE LAMINATE /1 SIDE VARNISH FINISHES ON MARINE PLYWOOD)	
METAL/STEEL TUBULAR	60-80 MICRON POWDER COAT FINISH FLAT BLACK FINISH	

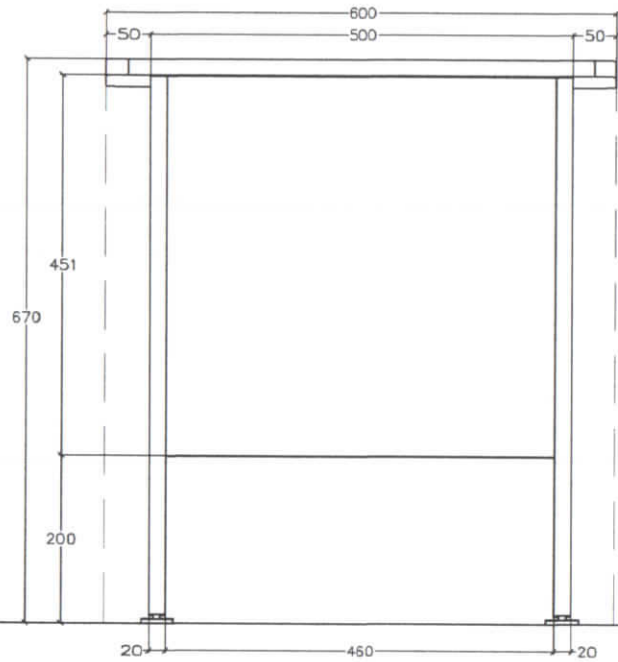
3	DIMENSIONS OF LEARNER'S TABLE (mm)		
MARK	COMPONENTS	DIMENSIONS	
		ELEMENTARY	SECONDARY
a	TABLE HEIGHT	670 (+10)	710 (+10)
b	TABLE LENGTH	600	600
c	TABLE WIDTH	400	400

	DRAWN BY :  JET RAYMOND G. ALABASO ARCHITECT	RECOMMENDING APPROVAL :  ENGR. ANNABELLE R. PANGAN CHIEF - EDUCATION FACILITIES DIVISION	APPROVED BY :  ALAIN DEL B. PASCUA UNDERSECRETARY FOR ADMINISTRATION	PROJECT TITLE : LEARNER'S TABLE (E-BAMBOO & STEEL)	SHEET CONTENTS TECHNICAL SPECIFICATION SCHEDULE OF FINISHES EDGING APPLICATION DIMENSIONS ISOMETRIC VIEW	SHEET NO.: <div style="border: 1px solid black; border-radius: 50%; width: 30px; height: 30px; display: flex; align-items: center; justify-content: center;"> <div style="border: 1px solid black; border-radius: 50%; width: 15px; height: 15px; display: flex; align-items: center; justify-content: center;">1</div> <div style="border: 1px solid black; border-radius: 50%; width: 15px; height: 15px; display: flex; align-items: center; justify-content: center;">3</div> </div>
	CY 2021					

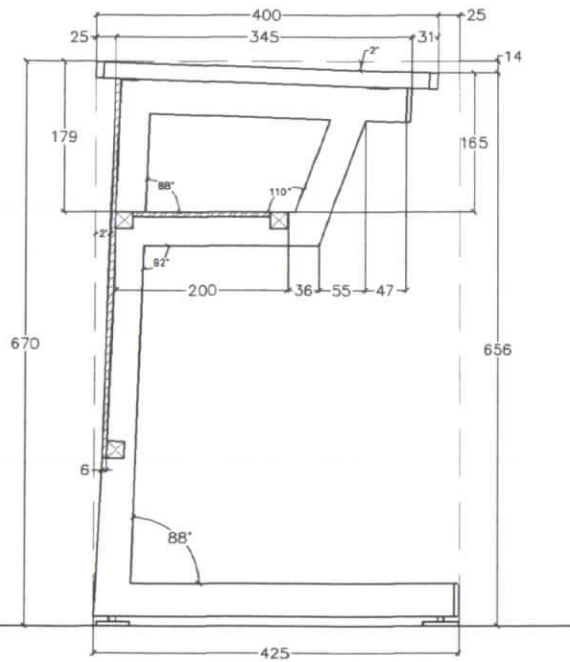
DEPED ELEMENTARY SINGLE LEARNER'S TABLE
(E-BAMBOO & STEEL)



TOP VIEW



FRONT VIEW



SIDE SECTION VIEW

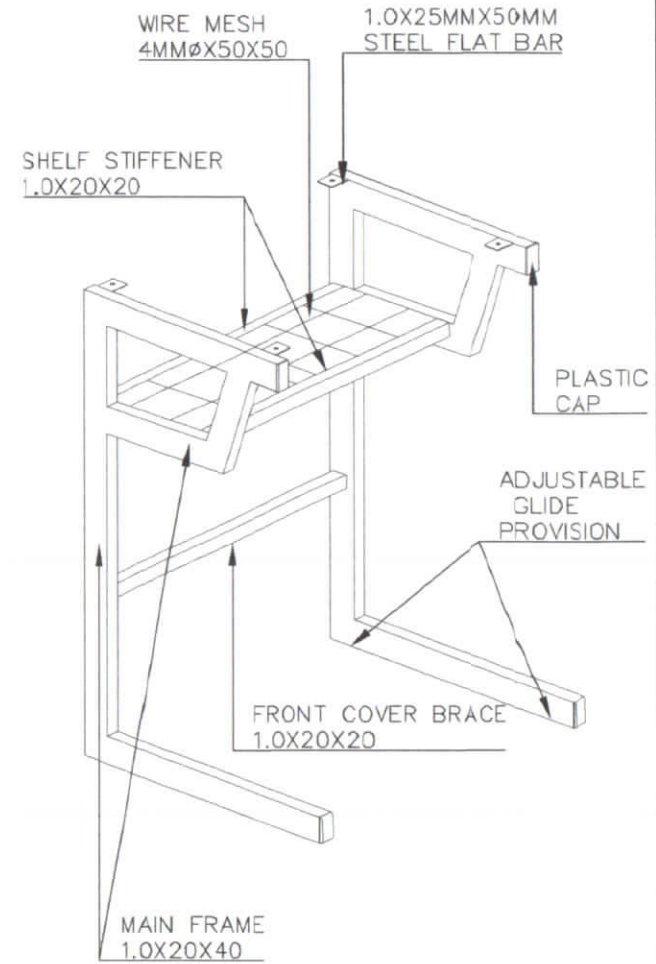
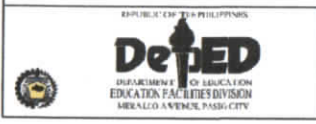

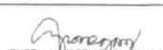

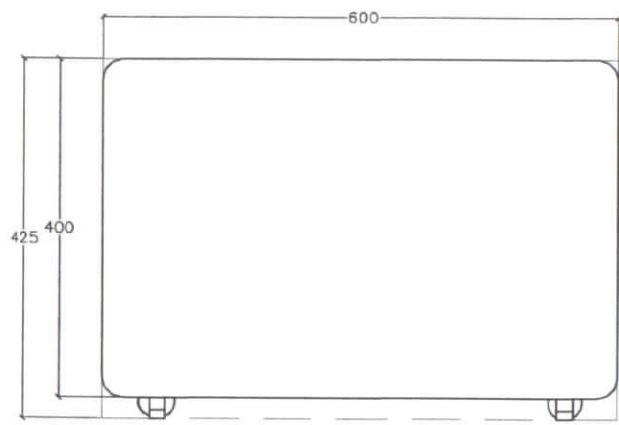


TABLE FRAMING
PERSPECTIVE VIEW

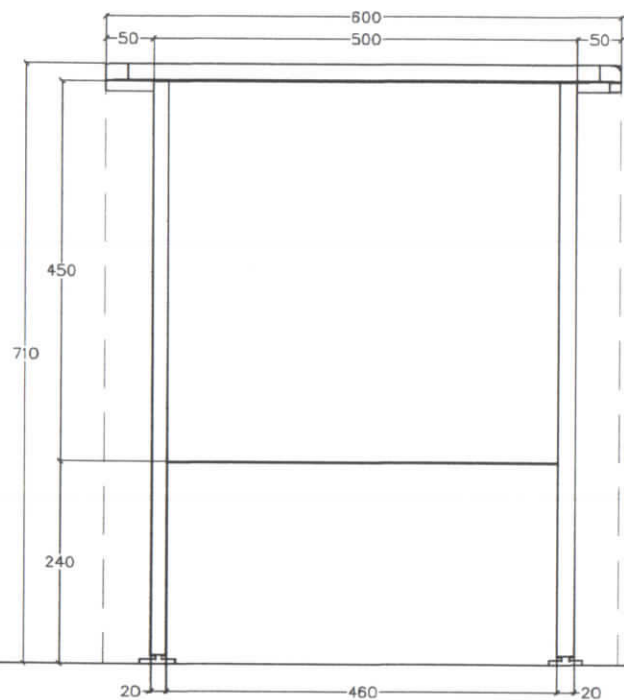
 <p>REPUBLIC OF THE PHILIPPINES DepED DEPARTMENT OF EDUCATION EDUCATION FACILITIES DIVISION MIRALDO AVENUE, PASIG CITY</p>	<p>DRAWN BY :  JET RAYMOND G. ALABASO ARCHITECT</p>	<p>RECOMMENDING APPROVAL :  ENGR. ANNABELLE R. PANGAN CHIEF - EDUCATION FACILITIES DIVISION</p>	<p>APPROVED BY :  ALAIN DEL B. PASCOA UNDERSECRETARY FOR ADMINISTRATION</p>	<p>PROJECT TITLE : LEARNER'S TABLE (E-BAMBOO & STEEL)</p>	<p>SHEET CONTENTS TOP VIEW FRONT VIEW SIDE SECTION VIEW FRAMING PERSPECTIVE VIEW</p>	<p>SHEET NO. 2 3</p>
--	--	---	--	--	--	------------------------------

CY 2021

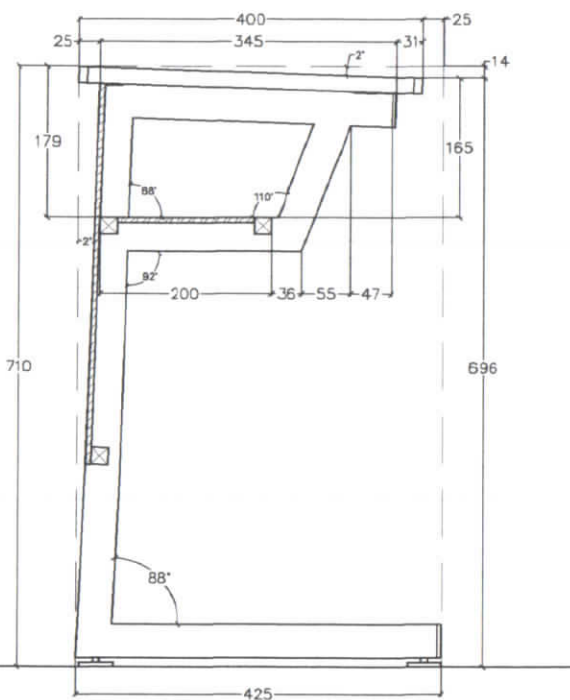
DEPED SECONDARY SINGLE LEARNER'S TABLE (E-BAMBOO & STEEL)



TOP VIEW



FRONT VIEW



SIDE SECTION VIEW

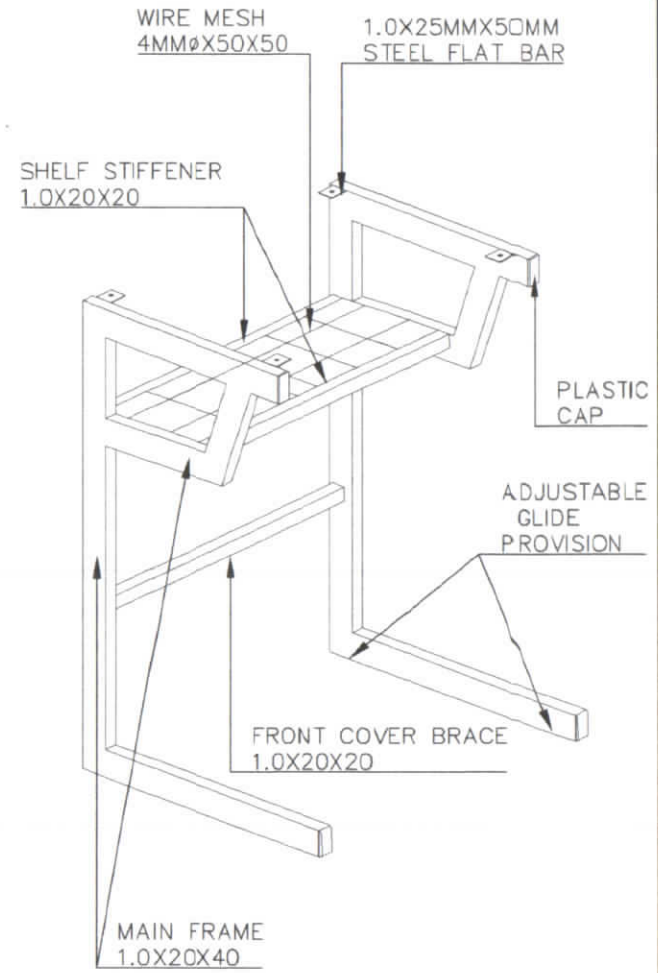
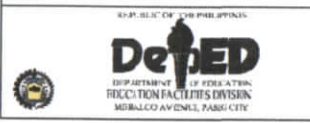

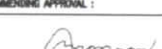

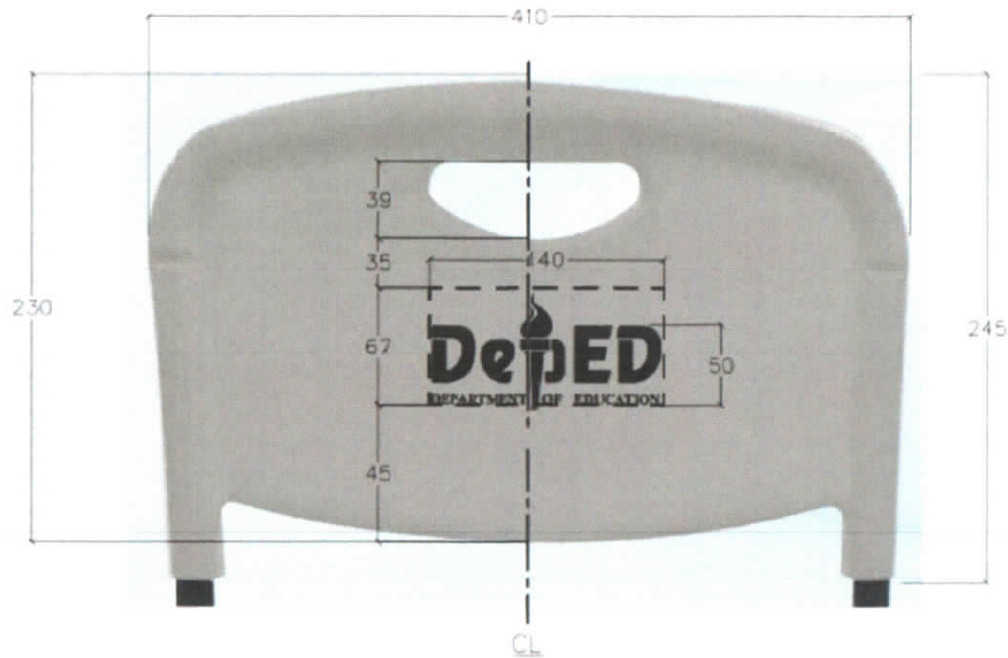


TABLE FRAMING
PERSPECTIVE VIEW

 <p>REPUBLIC OF THE PHILIPPINES DepED DEPARTMENT OF EDUCATION REGIONAL OFFICE - DIVISION MORALCO AVENUE, PASIG CITY</p>	<p>DRAWN BY :  JET RAYMOND O. ALABASO ARCHITECT</p>	<p>RECOMMENDING APPROVAL :  ENGR. ANNABELLE R. PANGAN CHIEF - EDUCATION FACILITIES DIVISION</p>	<p>APPROVED BY :  ALAIN DEL B. PASCOA UNDERSECRETARY FOR ADMINISTRATION</p>	<p>PROJECT TITLE : LEARNER'S TABLE (E-BAMBOO & STEEL)</p>	<p>SHEET CONTENTS TOP VIEW FRONT VIEW SIDE SECTION VIEW FRAMING PERSPECTIVE VIEW</p>	<p>SHEET NO: 3 3</p>
---	--	--	--	--	--	------------------------------

CY 2021

DEPED LOGO SPECIFICATIONS FOR ALL LEARNER AND TEACHER'S CHAIR



HDPE BACK DEPED LOGO DETAIL





DEPED LOGO



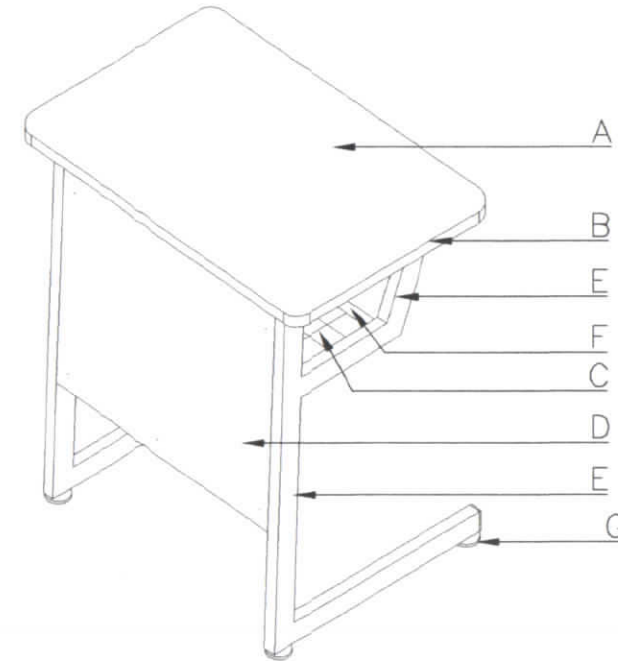
PERSPECTIVE VIEW

SPECIFICATIONS:

1. MATERIAL: BLOW MOLDED HDPE.
 2. MARKINGS: MINIMUM OF 0.8MM DEPTH EMBOSSED / MOLDED OFFICIAL "DepEd LOGO" WITH THE INSCRIPTION "DEPARTMENT OF EDUCATION" AS PER DRAWING.
 3. COLOR CODE: PANTONE 4665C OR COLOR HEX: #cda788 / RGB:205, 167, 136 / CMYK: 0%, 19%, 34%, 20%
 4. DEPED LOGO COLOR IS THE SAME AS BACKREST COLOR CODE.
- NOTE: BLACK COLOR OF LOGO SHOWN IS FOR ILLUSTRATION ONLY.

 <p>REPUBLIC OF THE PHILIPPINES DepEd DEPARTMENT OF EDUCATION EDUCATION FACILITIES DIVISION MISALCO AVENUE, PASIG CITY</p>	<p>DRAWN BY:</p>  <p>JET RAYMOND G. ALABASO ARCHITECT</p>	<p>RECOMMENDING APPROVAL:</p>  <p>ENGR. ANNABELLE R. PANGAN CHIEF - EDUCATION FACILITIES DIVISION</p>	<p>APPROVED BY:</p>  <p>ALAIM DEL S. PASCON UNDERSECRETARY FOR ADMINISTRATION</p>	<p>PROJECT TITLE:</p> <p>LEARNER & TEACHER'S CHAIR – HDPE BACK DEPED LOGO DETAIL (HDPE & STEEL)</p> <p>DTY 2021</p>	<p>SHEET CONTENTS</p> <p>HDPE BACK DEPED LOGO DETAIL PERSPECTIVE VIEW SPECIFICATIONS</p>	<p>SHEET NO.:</p> <p>1 1</p>
--	--	---	--	--	--	----------------------------------

1	TECHNICAL SPECIFICATIONS OF LEARNER'S TABLE	
MARK	COMPONENTS	SPECIFICATIONS
A	TABLE TOP	18MM THK TOP BOARD ROUND CORNER'S (1 SIDE 1.0MM THK HIGH PRESSURE LAMINATE/1 SIDE VARNISH FINISHES ON MARINE PLYWOOD)
B	EDGING	1.0 MM THK PVC EDGING, ALL EDGES OF TABLE TOP
C	SHELF	METAL WIRE MESH 4MMTHKX50X50
D	FRONT COVER	6MM THK FRONT COVER (1 SIDE 1.0MM THK HIGH PRESSURE LAMINATE / 1 SIDE VARNISH FINISHES ON MARINE PLYWOOD)
E	MAIN FRAME	1.0MMTHKX20MMX40MM STEEL TUBULAR
F	SECONDARY FRAME	1.0MMTHKX20MMX20MM STEEL TUBULAR
G	ADJUSTABLE LEVELER	8MMØ THREAD WITH 38MMØ PLASTIC BASE
	CONNECTOR/FLAT BAR	1MMTHKX25MMX50MM STEEL FLAT BAR (TABLE TOP: 4PCS; SCREW)
	CONNECTION	WOOD TO STEEL: SCREW: M5X12MM LENGTH SCREW: RIVETS: BLIND RIVET STEEL TO STEEL: FULL WELDING FOR TUBULAR TO FLAT BAR/CONNECTION STEEL TO STEEL (KNOCKDOWN): BOLT AND NUT FOR STEEL TUBULAR KD DESIGN IS FOR BIDDER TO PROPOSE



1 ISOMETRIC VIEW OF LEARNER'S TABLE
1 SCALE -M

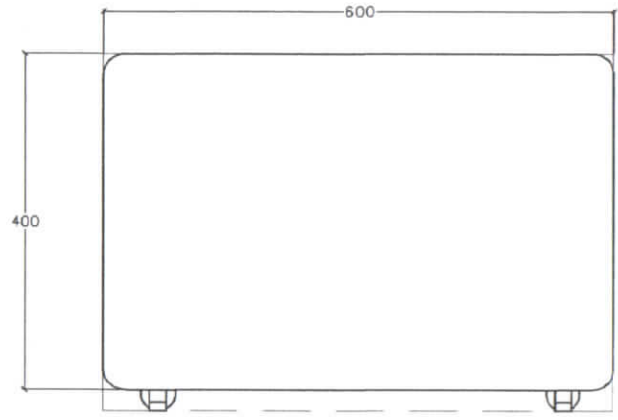
2a	SCHEDULE OF FINISHES	
TOP BOARD	1 SIDE 1.0MM THK HIGH PRESSURE LAMINATE / 1 SIDE VARNISH FINISHES ON MARINE PLYWOOD	
EDGING	1.0 MM THK PVC EDGING, ALL EDGES OF TABLE TOP	
FRONT COVER	1 SIDE 1.0MM THK HIGH PRESSURE LAMINATE / 1 SIDE VARNISH FINISHES ON MARINE PLYWOOD)	
METAL/STEEL TUBULAR	60-80 MICRON POWDER COAT FINISH FLAT BLACK FINISH	
LAMINATE COLOR	PANTONE 729C OR COLOR HEX #ba7c45 / RGB 186, 124, 69 / CMYK 0%, 33%, 63%, 27% WITH WOOD GRAIN (SERANO BEECH OR EQUIVALENT)	

3	DIMENSIONS OF LEARNER'S TABLE(mm)		
MARK	COMPONENTS	DIMENSIONS	
		ELEMENTARY	SECONDARY
a	TABLE HEIGHT	670 (+10)	710 (+10)
b	TABLE LENGTH	600	600
c	TABLE WIDTH	400	400

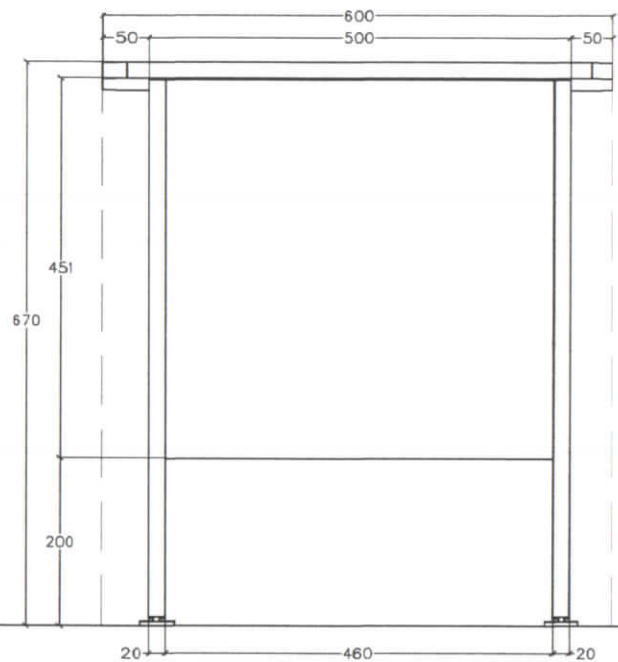
2b	EDGING - APPLICATION	
1	MACHINE APPLICATION OF GLUE TO TABLE TOP EDGES	
2	MACHINE APPLICATION OF PVC EDGING TO TABLE TOP EDGES	

	REVISION BY : JET RAYMOND G. ALABASO ARCHITECT	RECOMMENDING APPROVAL : ENGR. MANABELLE R. PANGAN CHIEF - EDUCATION FACILITIES DIVISION	APPROVED BY : ALAIN DEL B. PASCUA UNDERSECRETARY FOR ADMINISTRATION	PROJECT TITLE : LEARNER'S TABLE (WOOD & STEEL)	SHEET CONTENTS TECHNICAL SPECIFICATION SCHEDULE OF FINISHES EDGING APPLICATION DIMENSIONS ISOMETRIC VIEW	SHEET NO. <div style="border: 1px solid black; border-radius: 50%; width: 30px; height: 30px; display: flex; align-items: center; justify-content: center; margin: 0 auto;"> <div style="text-align: center;">1 3</div> </div>
	CY 2021					

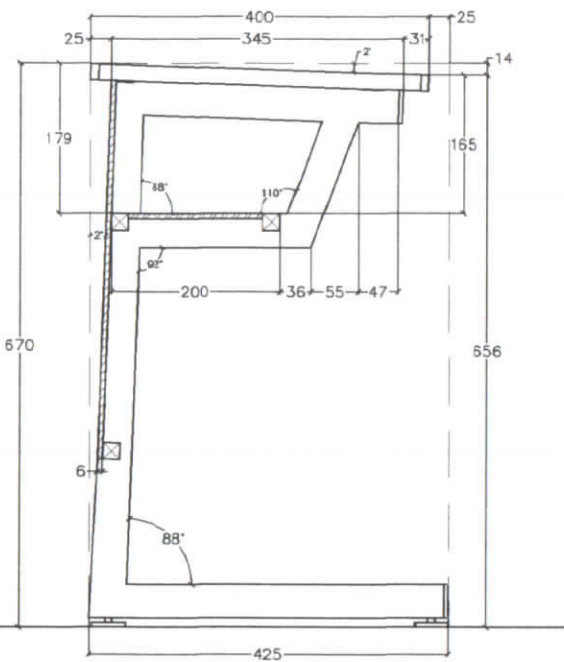
DEPED ELEMENTARY SINGLE LEARNER'S TABLE



TOP VIEW



FRONT VIEW



SIDE SECTION VIEW

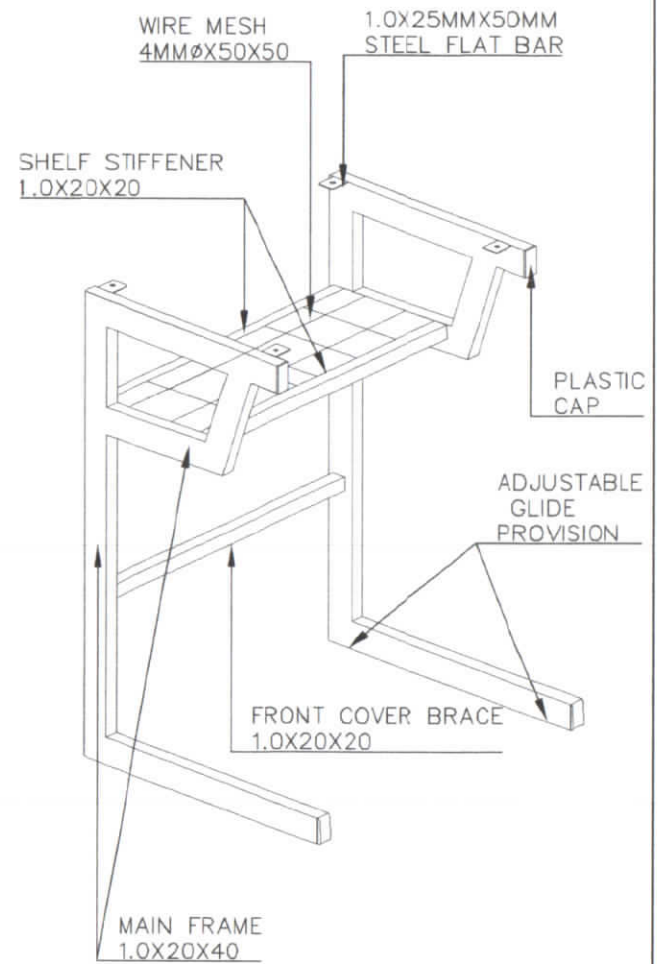
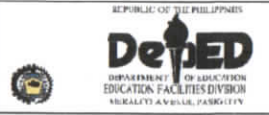

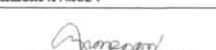



TABLE FRAMING PERSPECTIVE VIEW

 <p>REPUBLIC OF THE PHILIPPINES DepED DEPARTMENT OF EDUCATION EDUCATION FACILITIES DIVISION VERACITY AND INTEGRITY</p>	<p>DESIGNED BY :</p>  <p>JET RAYMOND C. ALABASO ARCHITECT</p>	<p>RECOMMENDING APPROVAL :</p>  <p>ENGR. ANNABELLE R. PANGAN CHIEF - EDUCATION FACILITIES DIVISION</p>	<p>APPROVED BY :</p>  <p>ALAIN DEL B. PASCA UNDERSECRETARY FOR ADMINISTRATION</p>	<p>PROJECT TITLE :</p> <p>LEARNER'S TABLE (WOOD & STEEL)</p> <p>CY 2021</p>	<p>SHEET CONTENTS</p> <p>TOP VIEW FRONT VIEW SIDE SECTION VIEW FRAMING PERSPECTIVE VIEW</p>	<p>SHEET NO.:</p> <table border="1"> <tr> <td>2</td> </tr> <tr> <td>3</td> </tr> </table>	2	3
2								
3								