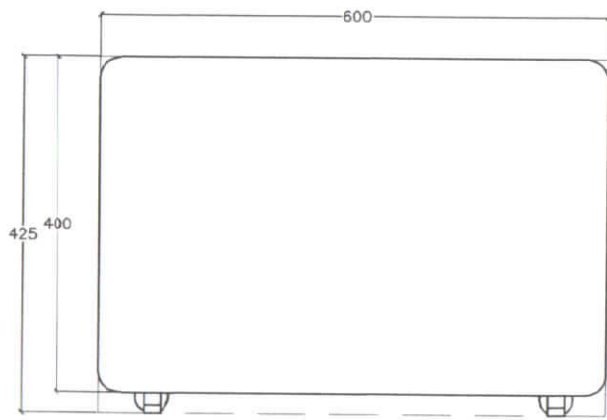
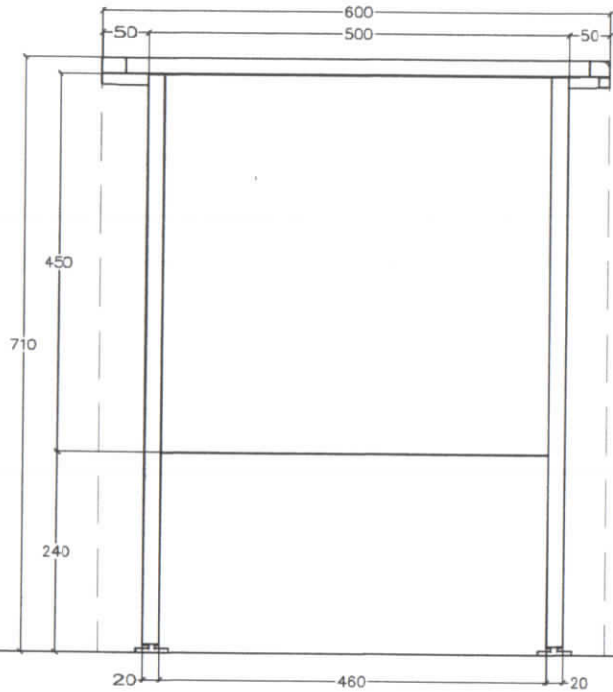


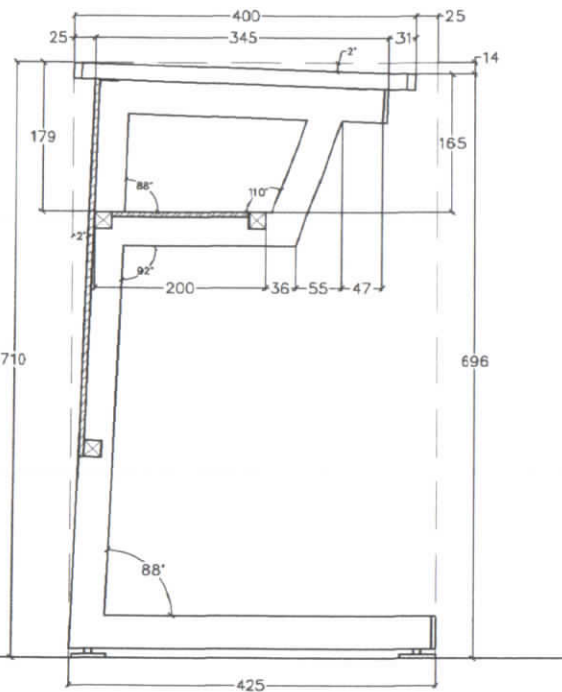
DEPED SECONDARY SINGLE LEARNER'S TABLE



TOP VIEW



FRONT VIEW



SIDE SECTION VIEW

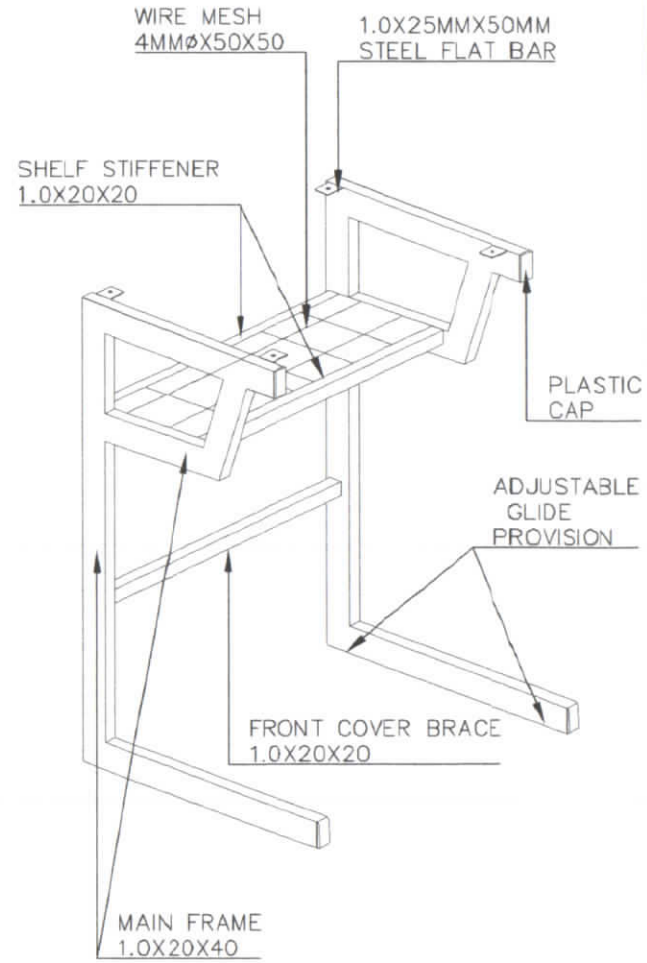


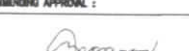

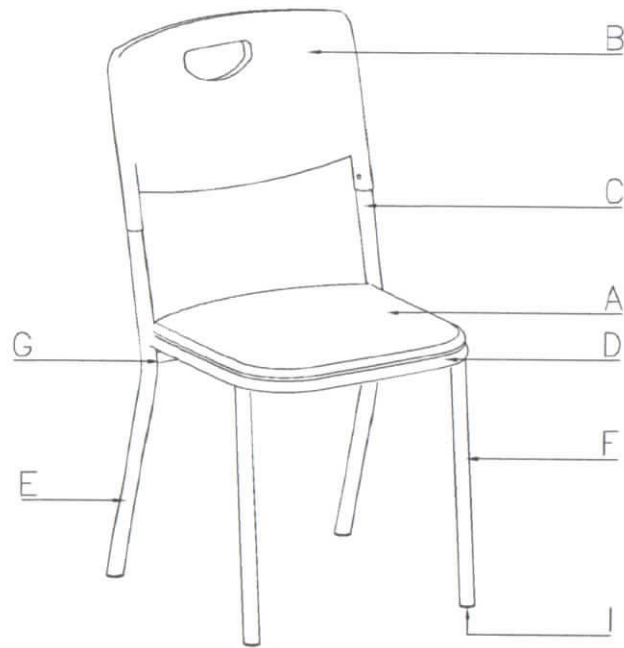


TABLE FRAMING PERSPECTIVE VIEW

 <p>REPUBLIC OF THE PHILIPPINES DepED DEPARTMENT OF EDUCATION EDUCATION FACILITIES DIVISION MERALCO AVENUE, PASIG CITY</p>	<p>REDRAWN BY :  JET RAYMOND O. ALABASO ARCHITECT</p>	<p>RECOMMENDING APPROVAL :  ENGR. ANNABELLE R. PANGAN CHIEF - EDUCATION FACILITIES DIVISION</p>	<p>APPROVED BY :  ALAIN DEL B. PASCOA UNDERSECRETARY FOR ADMINISTRATION</p>	<p>PROJECT TITLE : LEARNER'S TABLE (WOOD & STEEL)</p>	<p>SHEET CONTENTS TOP VIEW FRONT VIEW SIDE SECTION VIEW FRAMING PERSPECTIVE VIEW</p>	<p>SHEET NO: 3 3</p>
--	--	---	--	--	--	------------------------------



1 ISOMETRIC VIEW OF TEACHER'S CHAIR
1 SCALE -M





DIMENSIONS OF TEACHER'S CHAIR (mm)

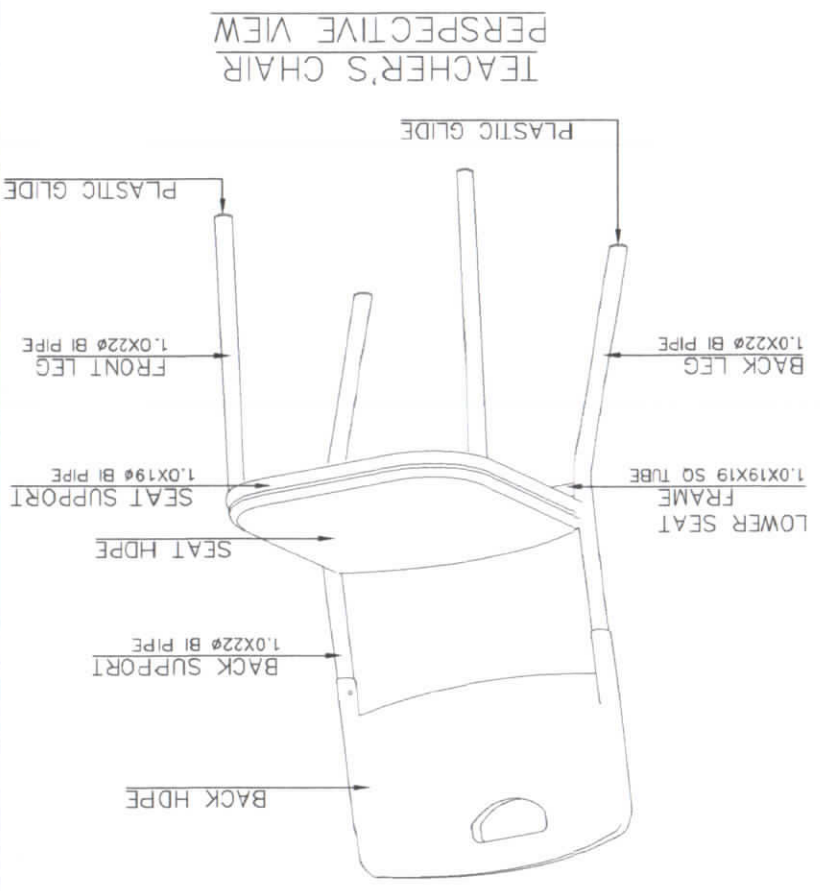
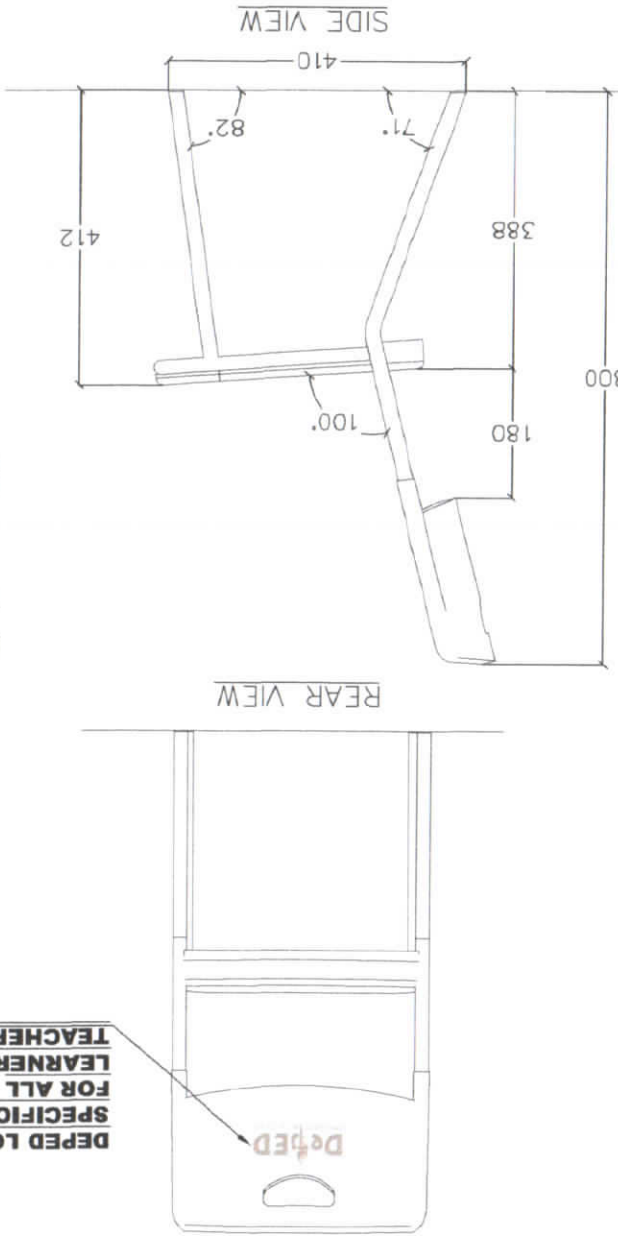
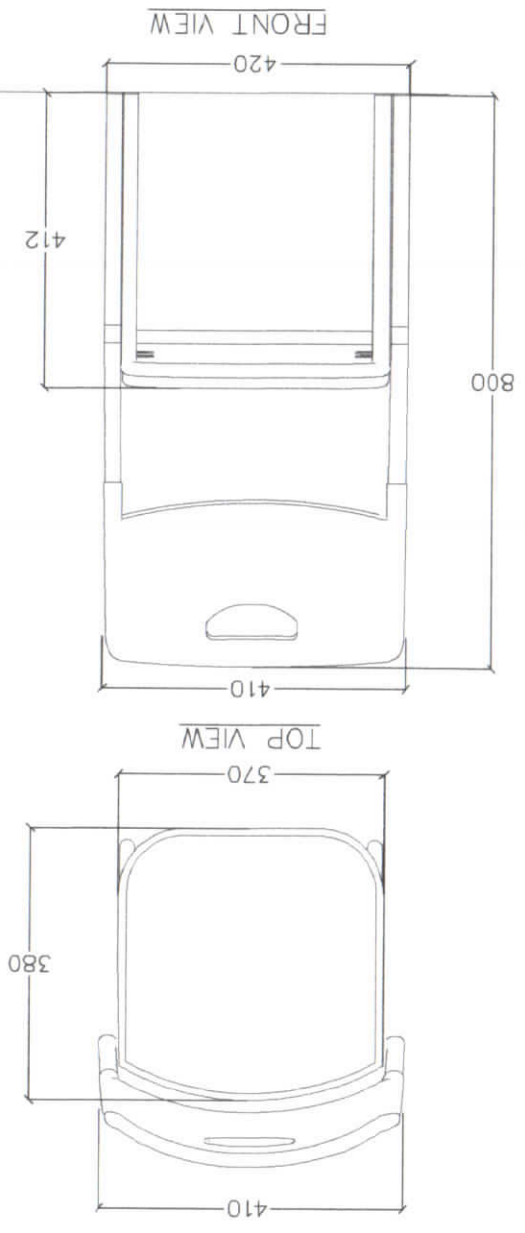
COMPONENTS	DIMENSIONS
SEAT HEIGHT	412
SEAT DEPTH	380
SEAT WIDTH	370
BACK HEIGHT	800
BACK WIDTH	410

1 TECHNICAL SPECIFICATIONS OF TEACHER'S CHAIR		
MARK	COMPONENTS	SPECIFICATIONS
A	SEAT	BLOW MOLDED PLASTIC HIGH-DENSITY POLYETHYLENE (HDPE)
B	BACK	BLOW MOLDED PLASTIC HIGH-DENSITY POLYETHYLENE (HDPE)
C	BACK SUPPORT	BI PIPE TUBE 1.0MMX22MMØ
D	SEAT SUPPORT	BI PIPE TUBE 1.0MMX19MMØ
E	BACK LEG	BI PIPE TUBE 1.0MMX22MMØ
F	FRONT LEG	BI PIPE TUBE 1.0MMX22MMØ
G	LOWER SEAT SUPPORT	SQ. TUBE 1.0MMX19MMX19MM
I	COVER CAP	PLASTIC GLIDE
	<u>HDPE TO STEEL</u>	BACK HDPE TO STEEL - SELF TAPPING SCREW
		SEAT HDPE TO STEEL - 1MM THK 25MMX30MM FLAT BAR, M6X12 BOLT

SCHEDULE OF FINISHES

BLOW MOLDED	HIGH-DENSITY POLYETHYLENE (HDPE) PLASTIC
METAL/STEEL TUBULAR	60-80 MICRON POWDER COAT FINISH FLAT BLACK FINISH
HDPE COLOR	REFER TO COLOR CODE PANTONE 4665C OR COLOR HEX: #cda788 / RGB: 205, 167, 136 / CMYK: 0%, 19%, 34%, 20%

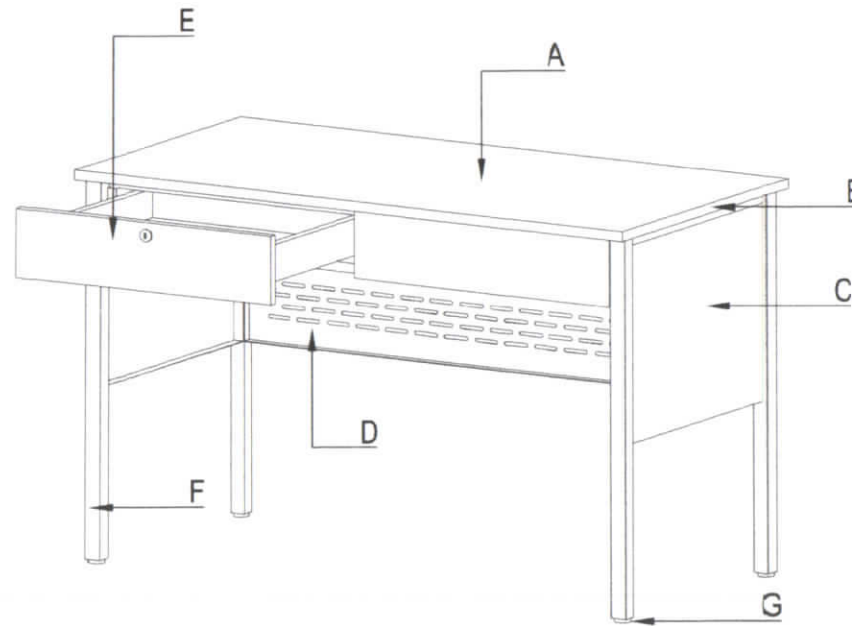
REPUBLIC OF THE PHILIPPINES  DepED DEPARTMENT OF EDUCATION EDUCATION FACILITIES DIVISION Meralco Avenue, Pasig City	REDRAWN BY:  JET RAYMOND G. ALABASO ARCHITECT	RECOMMENDING APPROVAL:  ENGR. ANABELLE R. PANGAN CHIEF - EDUCATION FACILITIES DIVISION	APPROVED BY:  ALAIN DEL B. PASQUA UNDERSECRETARY FOR ADMINISTRATION	PROJECT TITLE: TEACHER'S CHAIR (HDPE & STEEL)	SHEET CONTENTS: TECHNICAL SPECIFICATION SCHEDULE OF FINISHES EDGING APPLICATION DIMENSIONS ISOMETRIC VIEW	SHEET NO. <div style="border: 1px solid black; border-radius: 50%; width: 30px; height: 30px; display: flex; flex-direction: column; align-items: center; justify-content: center;"> 1 2 </div>
--	--	--	--	---	--	--



DEPED LOGO FOR ALL LEARNER AND TEACHER'S CHAIR

DEPED TEACHER'S CHAIR

1	TECHNICAL SPECIFICATIONS OF TEACHER'S TABLE	
MARK	COMPONENTS	SPECIFICATIONS
A	TABLE TOP	18MM THK TOP BOARD ROUND CORNER'S (1 SIDE 1.0MM THK HIGH PRESSURE LAMINATE /1 SIDE VARNISH FINISHES ON MARINE PLYWOOD)
B	EDGING	2.0MM THICK PVC EDGING
C	SIDE COVER	0.6MM THICK COLD ROLL STEEL IN POWDER COATED FINISHES
D	FRONT COVER	0.6MM THICK COLD ROLL STEEL IN POWDER COATED FINISHES WITH PUNCH HOLE DESIGN
E	PULL OUT DRAWER	DRAWER FACE : 1 SIDE 1.0MM THK HIGH PRESSURE LAMINATE / 1 SIDE VARNISH FINISHES ON 18MM THICK MARINE PLYWOOD DRAWER BOX : 0.6MM THICK COLD ROLL STEEL IN POWDER COATED FINISHES DRAWER LOCK : 1 LOCK ONLY PER TABLE,
	DRAWER GUIDE	400MM LONG RAIL GUIDE
F	MAIN FRAME	1.0MMTHKX30MMX30MM STEEL TUBULAR
	SECONDARY FRAME	1.0MMTHKX30MMX30MM STEEL TUBULAR
G	ADJUSTABLE LEVELER	8MMØ THREAD WITH 38MMØ PLASTIC BASE
	CONNECTOR	METAL FRAME BAR AND SCREW
	CONNECTION	WOOD TO STEEL: SCREW; WOOD SCREW STEEL TO STEEL: FULL WELDING FOR TUBULAR TO FLAT BAR/CONNECTION STEEL TO STEEL (KNOCKDOWN): BOLT AND NUT FOR STEEL TUBULAR KD. DESIGN IS FOR BIDDER TO PROPOSE



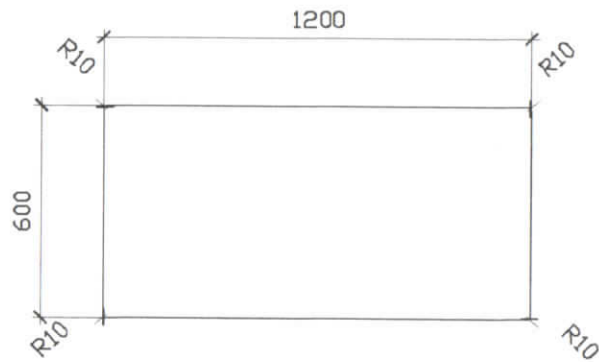
1 ISOMETRIC VIEW OF TEACHER'S TABLE
1 SCALE -H

2a	SCHEDULE OF FINISHES	
TOP BOARD	18MM THK TOP BOARD ROUND CORNER'S (1 SIDE 1.0MM THK HIGH PRESSURE LAMINATE /1 SIDE VARNISH FINISHES ON MARINE PLYWOOD)	
EDGING	2.0MM THICK PVC EDGING	
SIDE/FRONT COVER	60-80 MICRON POWDER COAT FINISH FLAT BLACK FINISH	
METAL/STEEL TUBULAR	60-80 MICRON POWDER COAT FINISH FLAT BLACK FINISH	
LAMINATE COLOR	PANTONE 729C OR COLOR HEX #ba7c45 / RGB 186, 124, 69 / CMYK 0%, 33%, 63%, 27% WITH WOOD GRAIN (SERANO BEECH OR EQUIVALENT)	

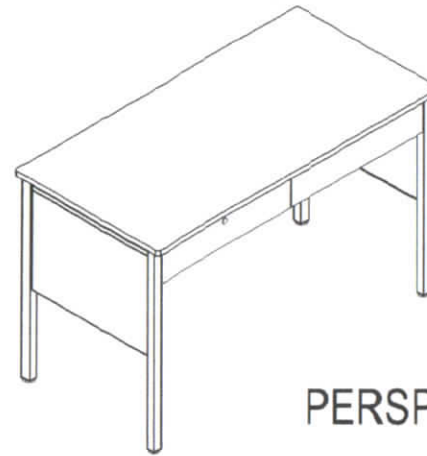
3	DIMENSIONS OF TEACHER'S TABLE (mm)		
MARK	COMPONENTS	DIMENSIONS	REMARKS
a	TABLE HEIGHT	750	ALL DIMENSION SHALL BE SUBJECTED TO A MAXIMUM TOLERANCE OF PLUS 10MM
b	TABLE LENGTH	1200	
c	TABLE WIDTH	600	
d	SIDING/FRONT COVER	380	

2b	EDGING – APPLICATION	
1	GLUE APPLICATION ON EDGE OF TABLE TOP	
2	APPLY PVC EDGING AND TRIM AND CLEAN	

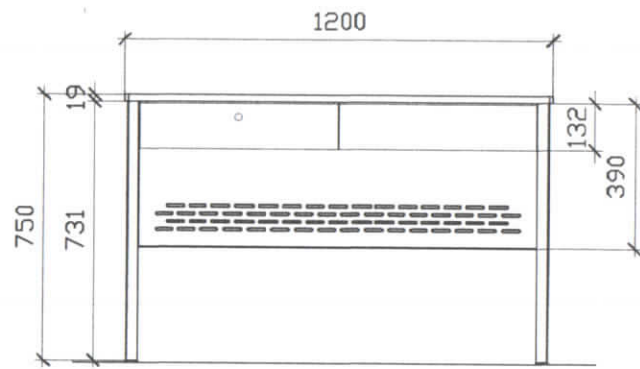
	DESIGNED BY : JET RAYMOND C. ALABASO ARCHITECT	RECOMMENDING APPROVAL : ENGR. ANABELLE R. PANGAN CHIEF - EDUCATION FACILITIES DIVISION	APPROVED BY : ALAIN DEL B. PASCOA UNDERSECRETARY FOR ADMINISTRATION	PROJECT TITLE : TEACHER'S TABLE (WOOD & STEEL)	SHEET CONTENTS TECHNICAL SPECIFICATION SCHEDULE OF FINISHES EDGING APPLICATION DIMENSIONS ISOMETRIC VIEW	SHEET NO : 1 6
	CY 2021					



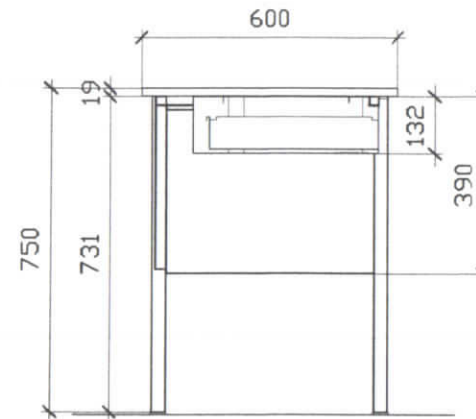
PLAN



PERSPECTIVE



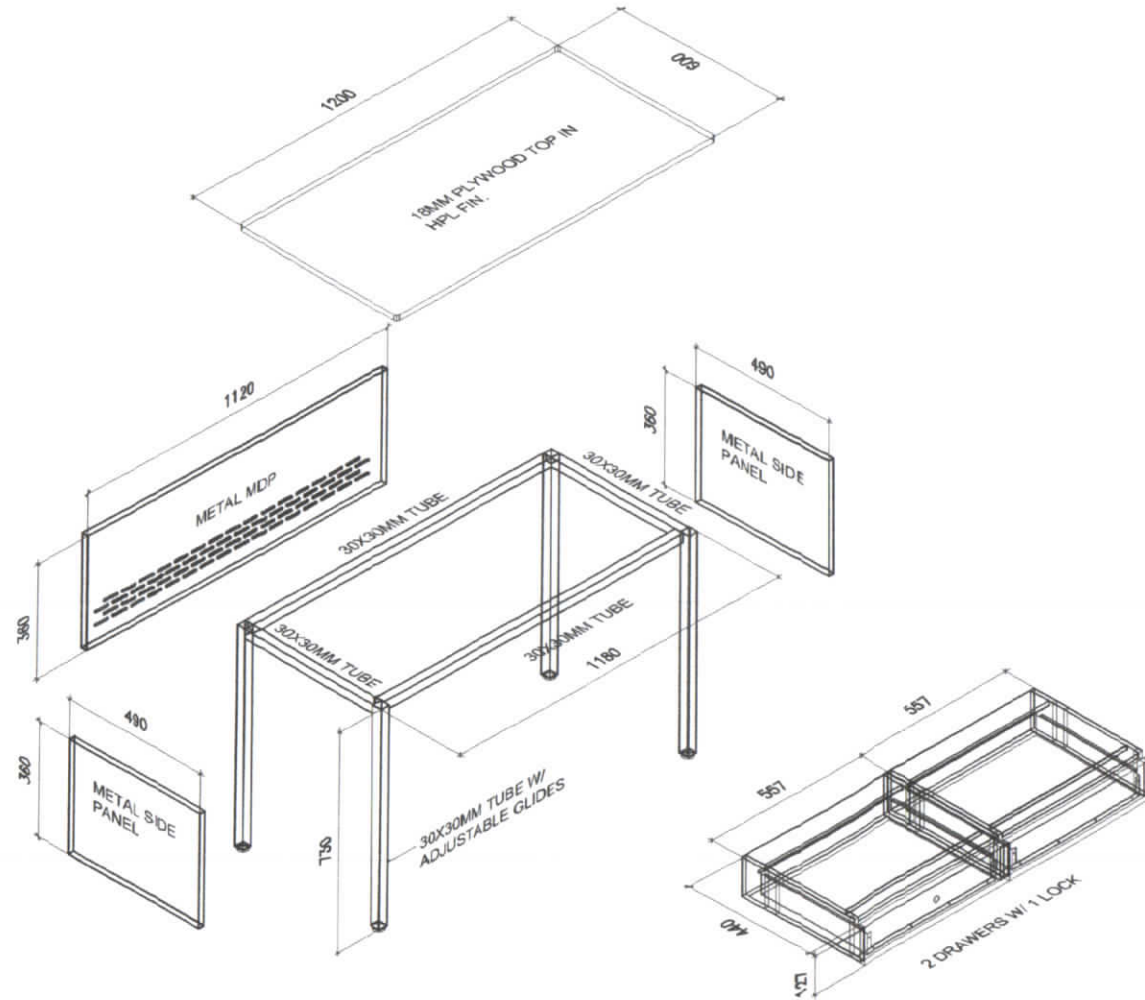
FRONT ELEV.








SECTION

<p>REPUBLIC OF THE PHILIPPINES DepED DEPARTMENT OF EDUCATION EDUCATION FACILITIES DIVISION MIGUEL A. AVENA, PASIG CITY</p>	<p>DESIGNED BY : JET RAYMUND G. ALABASO ARCHITECT</p>	<p>RECOMMENDING APPROVAL : ENGR. ANABELLE R. FANGAN CHIEF - EDUCATION FACILITIES DIVISION</p>	<p>APPROVED BY : ALAIN DEL B. PASCAL UNDERSECRETARY FOR ADMINISTRATION</p>	<p>PROJECT TITLE : TEACHER'S TABLE (WOOD & STEEL)</p>	<p>SHEET CONTENTS PLAN PERSPECTIVE FRONT ELEVATION SECTION CY 2021</p>	<p>SHEET NO. 2 6</p>
---	--	--	---	--	--	------------------------------

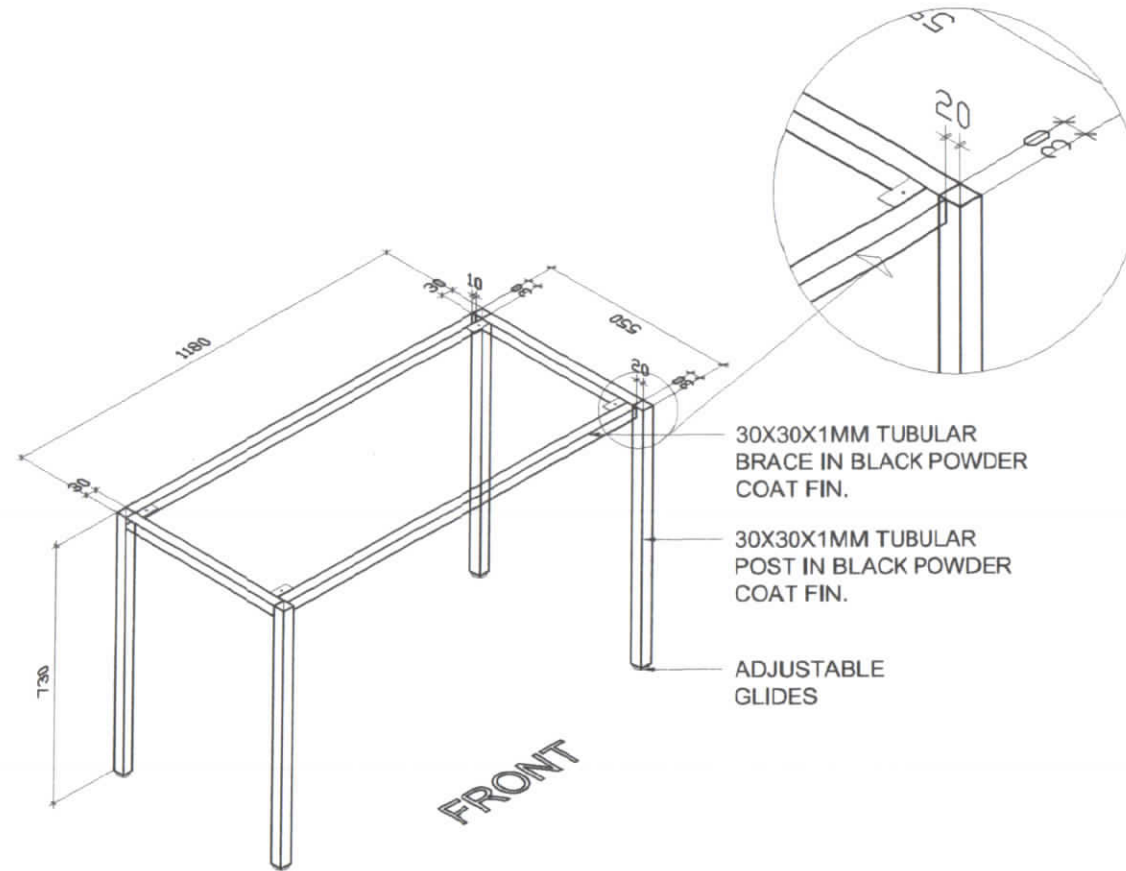
TEACHER'S TABLE



EXPLODED VIEW





<p>REPUBLIC OF THE PHILIPPINES</p>  <p>DEPARTMENT OF EDUCATION EDUCATION FACILITIES DIVISION MINDANAO AREA OFFICE - DAVAO CITY</p>	<p>DESIGNED BY :</p>  <p>JET RAYMOND G. ALARIDO ARCHITECT</p>	<p>RECOMMENDING APPROVAL :</p>  <p>ENGR. ANABELLE R. PANGAN CHIEF - EDUCATION FACILITIES DIVISION</p>	<p>APPROVED BY :</p>   <p>ALVIN DEL B. PASCA UNDERSECRETARY FOR ADMINISTRATION</p>	<p>PROJECT TITLE :</p> <p>TEACHER'S TABLE (WOOD & STEEL)</p> <p>CY 2021</p>	<p>SHEET CONTENTS</p> <p>TEACHER'S TABLE EXPLODED VIEW</p>	<p>SHEET NO.:</p> <p>3 6</p>
---	--	---	--	---	--	----------------------------------

METAL FRAMING DETAIL

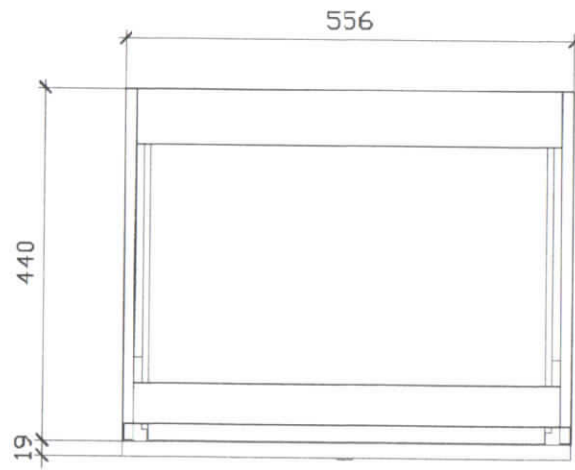


FRONT
PERSPECTIVE

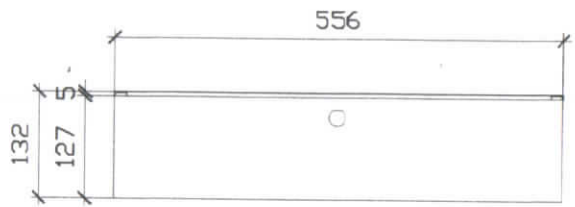
- 30X30X1MM TUBULAR BRACE IN BLACK POWDER COAT FIN.
- 30X30X1MM TUBULAR POST IN BLACK POWDER COAT FIN.
- ADJUSTABLE GLIDES

<p>REPUBLIC OF THE PHILIPPINES</p>  <p>DEPARTMENT OF EDUCATION EDUCATION FACILITIES DIVISION MIGRATION & VISUAL IDENTITY</p>	<p>DESIGNED BY :</p>  <p>JET RAYMOND G. ALABASO ARCHITECT</p>	<p>RECOMMENDING APPROVAL :</p>  <p>ENGR. ANNABELLE R. PANGAN CHIEF - EDUCATION FACILITIES DIVISION</p>	<p>APPROVED BY :</p>  <p>ALAIN D. B. PASCOA UNDERSECRETARY FOR ADMINISTRATION</p>	<p>PROJECT TITLE :</p> <p>TEACHER'S TABLE (WOOD & STEEL)</p> <p>CY 2021</p>	<p>SHEET CONTENTS</p> <p>METAL FRAMING PERSPECTIVE</p>	<p>SHEET NO:</p> <p>4 6</p>
---	--	--	--	---	--	---------------------------------

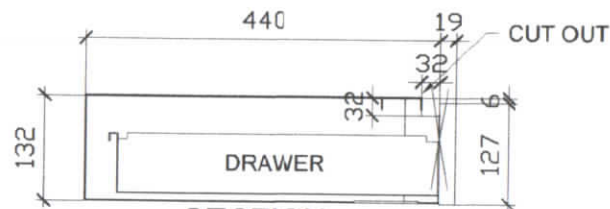
METAL CENTRAL DRAWER DETAIL



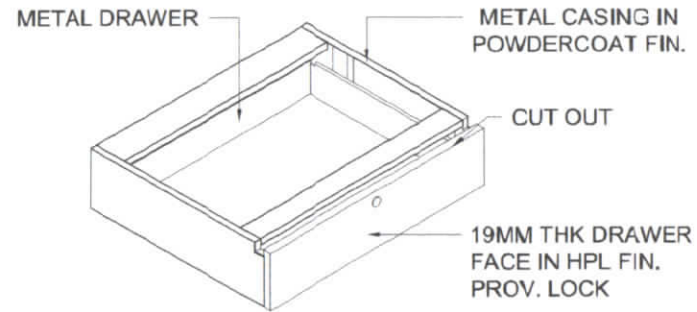
PLAN



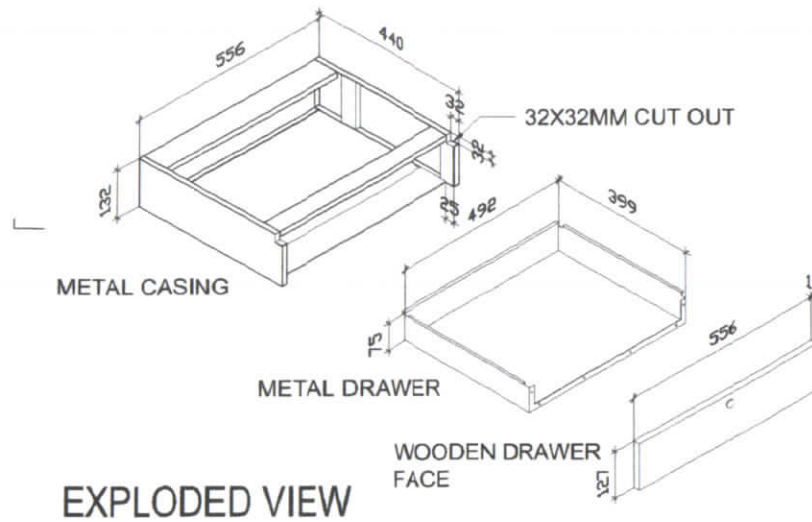
FRONT ELEV.







SECTION



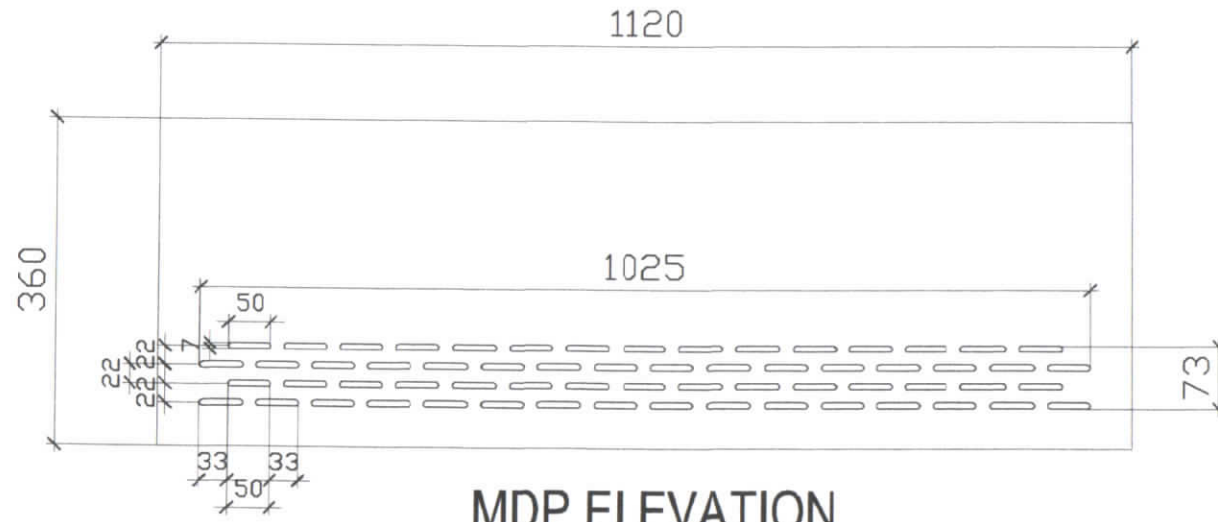
PERSPECTIVE



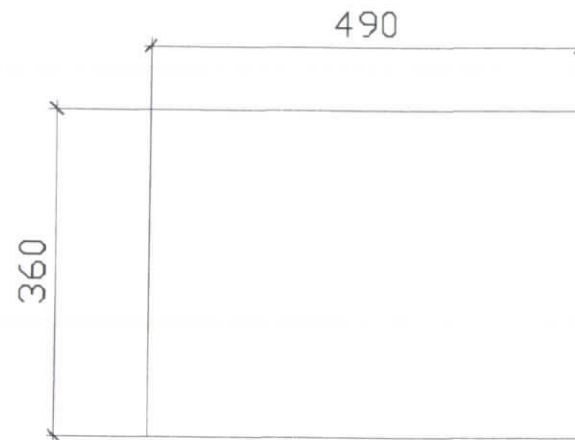
EXPLODED VIEW

 <p>REPUBLIC OF THE PHILIPPINES DepED DEPARTMENT OF EDUCATION EDUCATION FACILITIES DIVISION MORAL CLOAK STREET, PASIG CITY</p>	<p>DESIGNED BY:</p>  <p>JET RAYMOND O. ALABASO ARCHITECT</p>	<p>RECOMMENDING APPROVAL:</p>  <p>ENGR. ANNABELLE R. PANGAN CHIEF - EDUCATION FACILITIES DIVISION</p>	<p>APPROVED BY:</p>  <p>ALAIN DEL B. PASCOA UNDERSECRETARY FOR ADMINISTRATION</p>	<p>PROJECT TITLE:</p> <p>TEACHER'S TABLE (WOOD & STEEL)</p> <p>CY 2021</p>	<p>SHEET CONTENTS</p> <p>METAL DRAWER DETAIL -FRONT ELEVATION -SECTION -EXPLODED VIEW -PERSPECTIVE</p>	<p>SHEET NO:</p> <p>5 6</p>
--	---	---	--	--	--	---------------------------------





PERFORATED MDP & SIDE PANEL DETAIL



MDP ELEVATION



SIDE PANEL ELEVATION

 <p>REPUBLIC OF THE PHILIPPINES DepED DEPARTMENT OF EDUCATION EDUCATION FACILITIES DIVISION MIRALDO AVENUE 2, PASIG CITY</p>	<p>DESIGNED BY :</p>  <p>JET RAYMOND G. ALABASO ARCHITECT</p>	<p>RECOMMENDING APPROVAL :</p>  <p>ENGR. ANNABELLE R. PANGANI CHIEF - EDUCATION FACILITIES DIVISION</p>	<p>APPROVED BY :</p>  <p>ALAIN DEL S. PASORIA UNDERSECRETARY FOR ADMINISTRATION</p>	<p>PROJECT TITLE :</p> <p>TEACHER'S TABLE (WOOD & STEEL)</p> <p>CY 2021</p>	<p>SHEET CONTENTS</p> <p>PERFORATED MDP & SIDE PANEL DETAIL</p>	<p>SHEET NO.:</p> <p>6 6</p>
--	--	---	--	--	---	----------------------------------