

**TABLE
OF
CONTENTS**

DISTRICT/CITY/MUNICIPALITY

LAND USE & ZONING

ARCHITECTURAL

A-1 TABLE OF CONTENTS
PERSPECTIVE

A-2 FLOOR PLAN
REFLECTED CEILING PLAN

A-3 ROOF PLAN
FRONT ELEVATION
REAR ELEVATION

A-4 RIGHT-SIDE ELEVATION
LEFT-SIDE ELEVATION
CROSS SECTION
LONGITUDINAL SECTION
GUTTER DETAILS
CEILING DETAILS

A-5 DET. PLAN OF PWD RAMP
PWD RAMP SECTIONS
SPOT DETAILS
DOORS AND WINDOWS SCHEDULE
GRILLES DETAIL

A-6 DET. PLAN OF TOILET
SECTIONS
SPOT DETAILS
DET. PLAN OF GROUP HANDWASHING
FRONT ELEVATION
SECTION
SPOT DETAILS

A-7 DET. OF BLACKBOARD
PLAN (SECTIONAL VIEW)
ELEVATION (FRONT VIEW)
SECTION (SIDE VIEW)
DETAIL SECTION (CHALK DUST BOX)
CHALK DUST BOX DETAIL (ISOMETRIC VIEW)

STRUCTURAL

S-1 GENERAL CONSTRUCTION NOTES
S-2 GENERAL CONSTRUCTION NOTES

S-3 FOUNDATION PLAN
COLUMNS
FOOTING THE BEAMS & FOOTING DETAILS

S-4 ROOF BEAM DETAILS
END WALL DETAIL
STAR ON FILL
RAMP & RC GUTTER DETAILS

S-5 ROOF FRAMING PLAN
DETAIL ELEVATION OF TRUSS
SCHEDULE OF MEMBERS AND WELDS
REFERENCE WELD DETAIL

S-6 DET. PLAN OF TOILET
SECTIONS
SPOT DETAILS
DET. PLAN OF GROUP HANDWASHING
FRONT ELEVATION
SECTION
SPOT DETAILS

S-7 TRUSS ANCHORAGE DETAILS
PURLINS TO END WALL CONNECTION DETAIL

S-8 LAVATORY DETAILS
CONCRETE SEATING DETAIL
HANDWASH DETAIL
WALL FOOTING DETAIL

PLUMBING

P-1 FLOOR PLAN (SEWER LINE & DRAINAGE LINE LAYOUT)

P-2 ROOF PLAN (DRAINAGE LAYOUT)

P-3 ISOMETRIC DIAGRAM (SEWER & DRAINAGE LAYOUT)
(WATER LINE LAYOUT)

P-4 SCHEDULE OF SLAB REINFORCEMENT
DETAIL OF CATCH BASIN
DETAIL OF SEPTIC VAULT
DETAIL OF SEPTIC VAULT (WITH REINFORCING BARS)

ELECTRICAL

E-1 LIGHTING LAYOUT
POWER LAYOUT

E-2 GENERAL NOTES
ELECTRICAL SYMBOLS
ELECTRICAL WIRING DIAGRAM
SCHEDULE OF LOADS AND COMPUTATIONS
SCHEDULE OF LIGHTING FIXTURES AND LAMPERS

LINE & GRADE

ARCHITECTURAL

STRUCTURAL

SANITARY

ELECTRICAL

MECHANICAL



P E R S P E C T I V E

DRAWN BY :
JUNELSON P. CULLADO
CAD OPERATOR
EPD-DepEd

ARCHITECT :
JET RAYMOND G. CABRERO
ARCHITECT III
EPD-DepEd

RECOMMENDING APPROVAL :
LUIS G. PURISIMA, JR.
ASST. CHIEF, EPD-AS
DepEd

RECOMMENDING APPROVAL :
ANNABELLE R. RANCAN
CHIEF
OFFICE OF THE CHIEF, EPD-AS

APPROVED BY :
ALVIN YET B. PASCUA
UNDERSECRETARY FOR ADMINISTRATION

PROJECT TITLE :
**SCHOOL CLINIC
(7 x 9)**
LOCATION :

PROJECT CODE :

OWNER :
**DEPARTMENT OF EDUCATION
DepEd**

SHEET NO. :
A-1
SHEET CONTENTS :
- TABLE OF CONTENTS
- PERSPECTIVE

DESIGNED BY :
JUNELSON P. CULLADO
 CAD OPERATOR
 EPD-4942D

ARCHITECT :
JET RAYMOND G. CABRERO
 ARCHITECT III
 EPD-4942D

RECOMMENDING APPROVAL :
LUIS G. PURISMA, JR.
 ASST. CHIEF, EPD-45
 EPD

RECOMMENDING APPROVAL :
ANNABELLE R. RANON
 CHIEF
 OFFICE OF THE CHIEF, EPD-45

APPROVED BY :
ALVIN FEL B. PASCUA
 UNDERSECRETARY FOR ADMINISTRATION

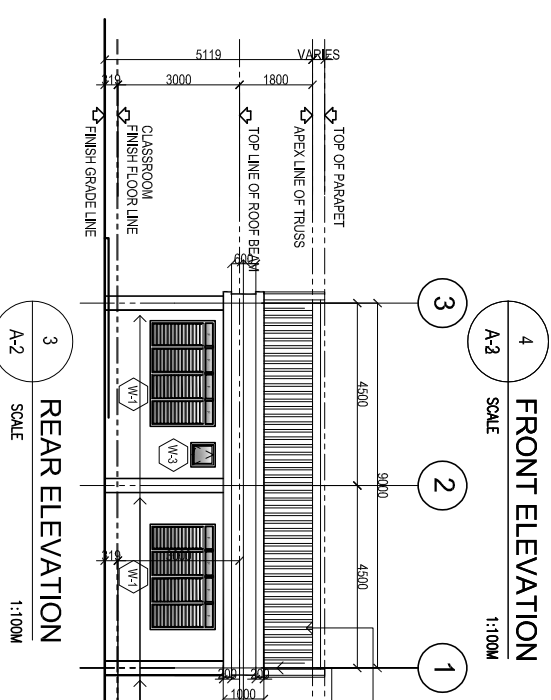
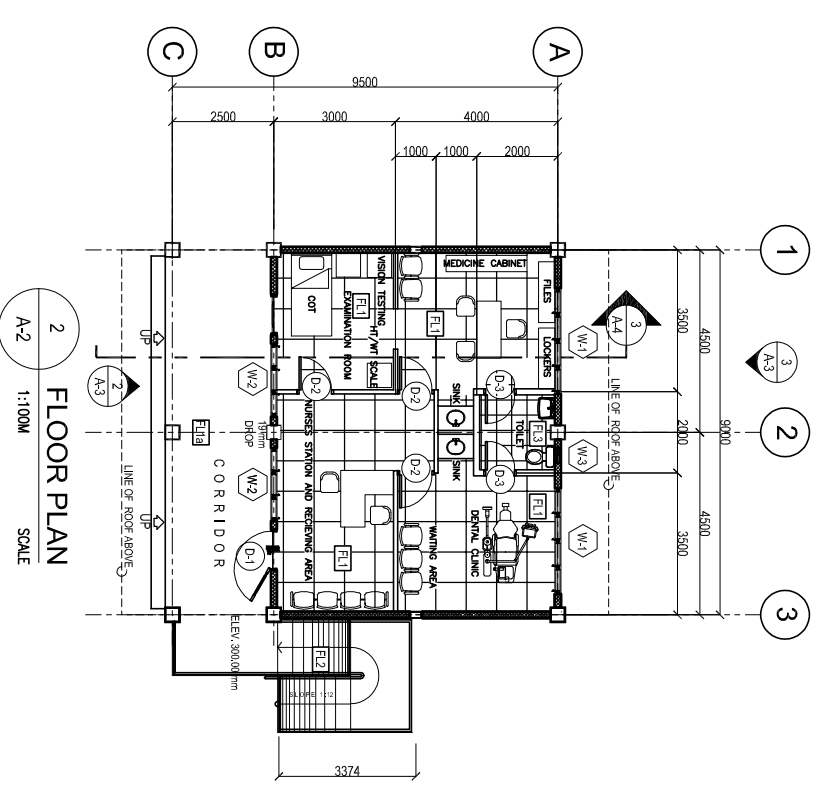
PROJECT TITLE :
**SCHOOL CLINIC
 (7 x 9)**

PROJECT CODE :

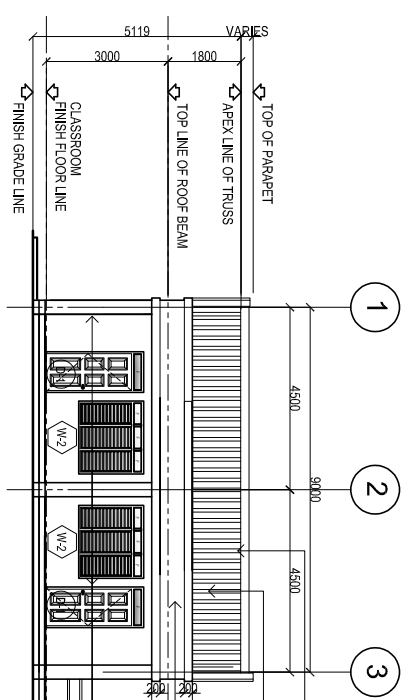
OWNER :
**DEPARTMENT OF EDUCATION
 DepEd**

SHEET NO. :
A-2

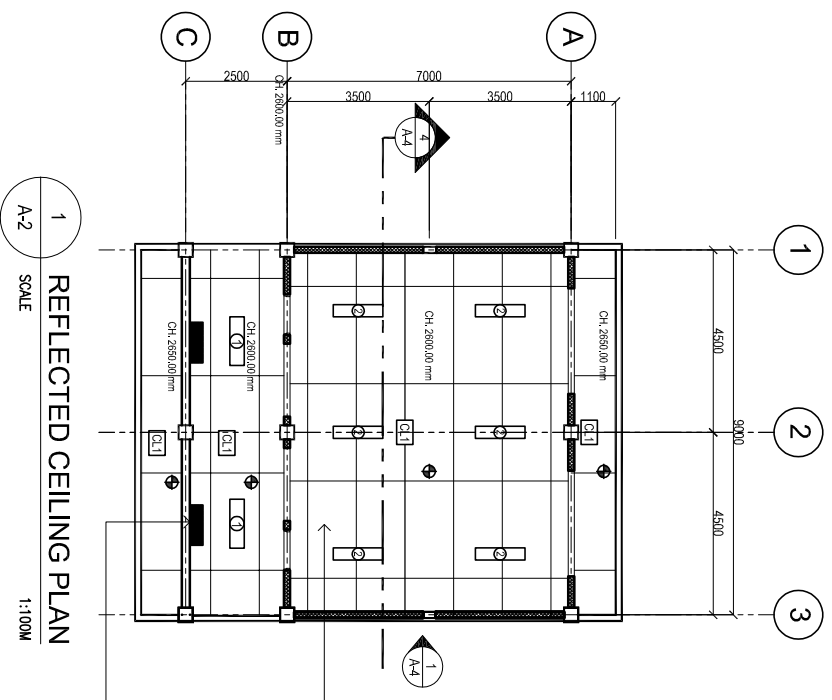
SHEET CONTENTS :
 REFLECTED CEILING PLAN
 FLOOR PLAN



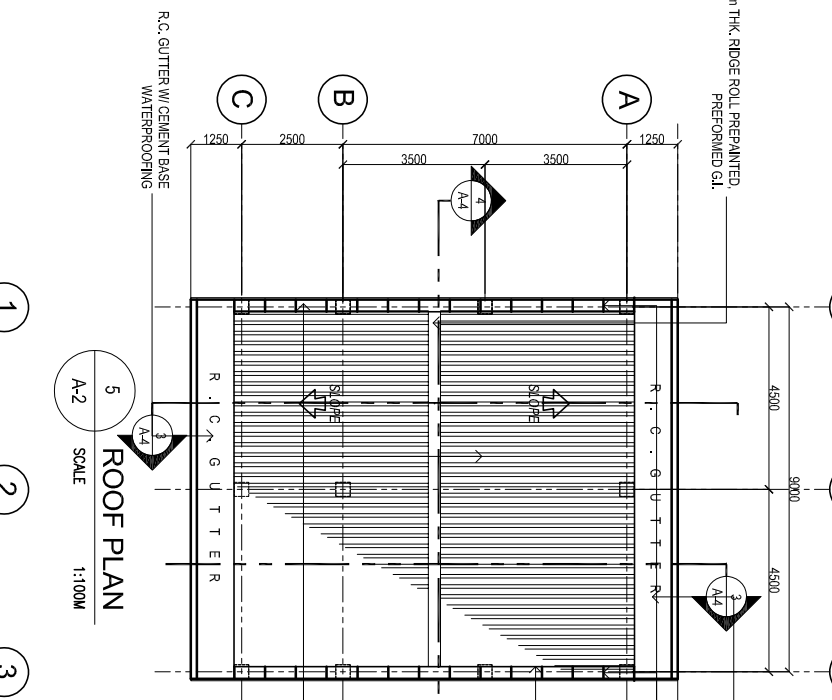
100mm THK. R.C. PARAPET WALL W/ 200mmx150mm PRECAST MOULDING, PAINTED FINISH (SEE DETAIL)
 150mm THK. CHB WALL WITH PLAIN CEMENT PLASTER(PAINT FINISH)
 (0.50mm THK) PRE-PAINTED LONGSPAN CORR. GL ROOFING SHEET (SEE SCHED. OF FINISH)
 (0.50mm THK) PRE-PAINTED RIDGE ROLL, PREPAINTED PREFORMED G.I.
 (0.80mm THK) R.C. PARAPET WALL W/ 200mmx150mm PRECAST MOULDING, PAINTED FINISH (SEE DETAIL)



100mm THK. R.C. PARAPET WALL W/ 200mmx150mm PRECAST MOULDING, PAINTED FINISH (SEE DETAIL)
 150mm THK. CHB WALL WITH PLAIN CEMENT PLASTER(PAINT FINISH)
 (0.50mm THK) (METAL BASE THICKNESS) LONGSPAN PREPAINTED G.I. SHEETS (0.43mm - 0.45mm OF TOTAL THICKNESS W/ PAINT COATED)
 (0.80mm THK) PRE-PAINTED RIDGE ROLL, PREPAINTED PREFORMED G.I.



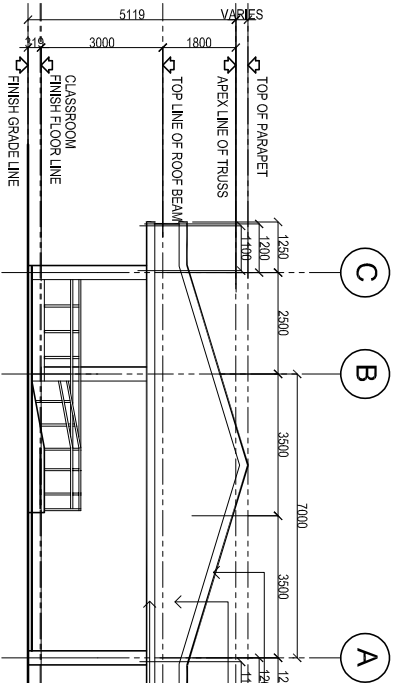
24mmx24mmx300mm WOOD SLATS @ 24mm CLEAR SPA CEILING VENTILATION (PROVIDE WIREMESH INSIDE), TYPICAL
 6mm THK. ORD. PLYWOOD INT. CEILING ON 50 x 50mm CEILING JOIST @ 800mm O.C BOTHWAYS (PAINT FIN.)



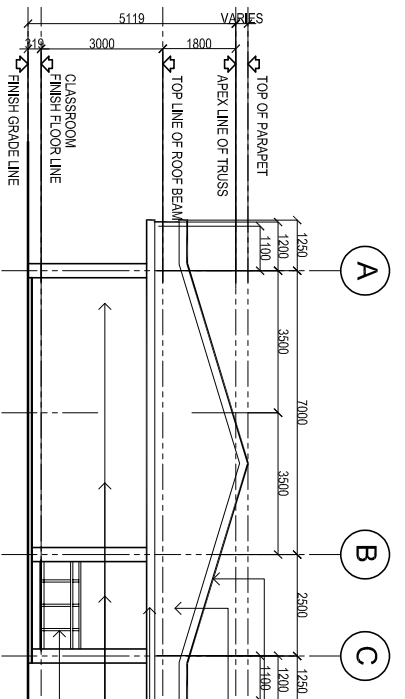
0.50mm THK. (METAL BASE THICKNESS) LONG SPAN PREPAINTED G.I. ROOFING SHEETS (WITH TOTAL THICKNESS OF 0.43-0.45 mm THK.) COLOR : FOAM GREEN / MINT GREEN / SPRINGFIELD GREEN
 0.80mm THK. PRE-PAINTED G.I. END WALL FLASHING (TYP. EACH SIDES)
 P.L.S. REFER TO UTCP SCHOOL BLDGS. STL ANGLE SUPPORTS
 R.C. GUTTER W/ CEMENT BASE WATERPROOFING
 0.50mm THK. RIDGE ROLL, PREPAINTED, PREFORMED G.I.

SCHEDULE OF FINISHES	
FLOOR FINISHES	
FL1	600mmx600mm VITRIFIED UNGLAZED FLOOR TILES
FL1a	NON-SKID PLAIN CEMENT FINISH
FL2	NON-SKID PLAIN CEMENT FINISH W/ 12mm GROOVE @ EVERY 100mm O.C.
FL3	600mmx600mm VITRIFIED UNGLAZED FLOOR TILES
WALL FINISHES	
WF1	100mm/150mm THK. CHB INTERIOR WALL W/ PLAIN CEMENT PLASTER PAINTED FINISH (SUBMIT COLOR SCHEMES FOR APPROVAL)
CEILING FINISHES	
CL1	6mm THK. ORDINARY PLYWOOD INT. CEILING ON 50mmx50mm CEILING JOIST @800mm O.O BOTHWAYS (PAINT FINISH)

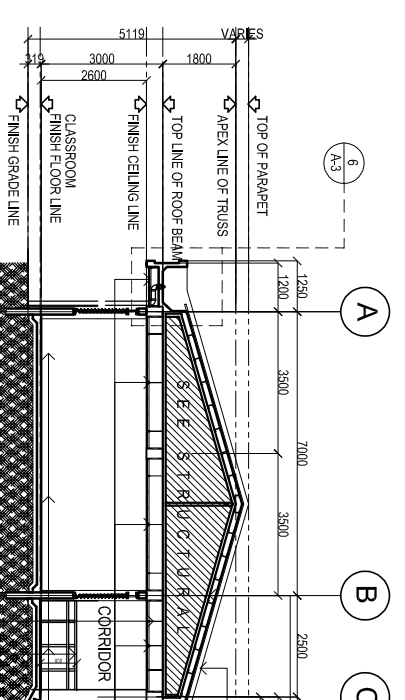
NOTE:
 PROVIDE 6mm THK. BUBBLE-TYPE FLEXIBLE THERMAL INSULATION W/ 2 SIDED ALUMINUM FOL FOR SCHOOL BUILDING SITE LOCATED NEAR SEA BOARDS OR COASTAL AREAS PRONE TO CORROSION OF G.I. ROOFING CORRUGATED ASPHALT ROOFING SHEETS (3.00mm THK BITUMINOUS CELLULOUS FIBRES) CAN BE USED AS ALTERNATE MATERIALS



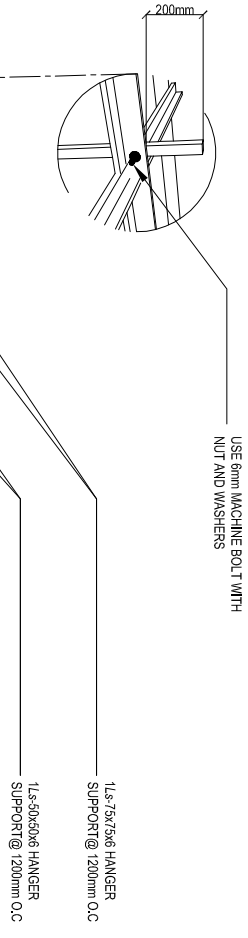
1 RIGHT SIDE ELEVATION
SCALE: 1:100M
A-3



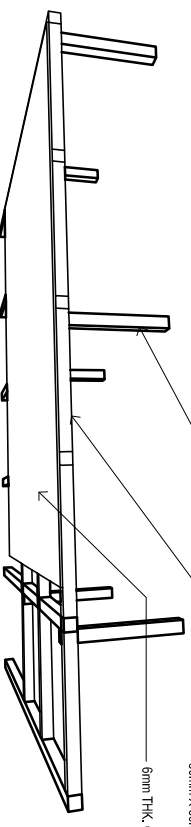
2 LEFT SIDE ELEVATION
SCALE: 1:100M
A-3



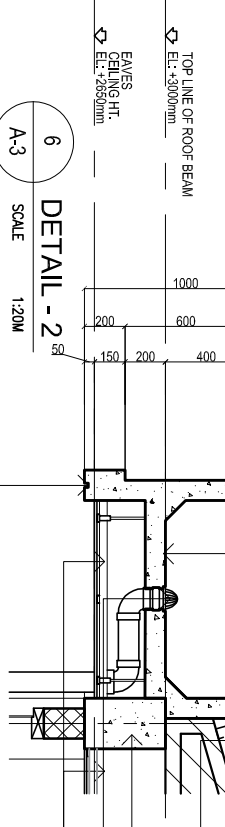
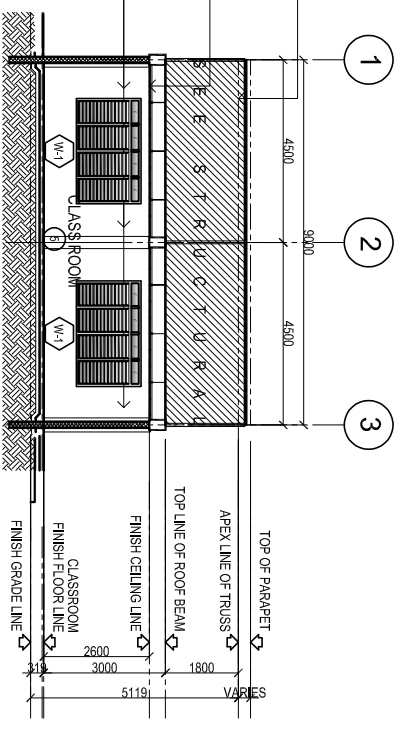
3 CROSS SECTION
SCALE: 1:100M
A-3



4 ISOMETRIC (WOOD CEILING DETAIL)
SCALE: A-3



5 LONGITUDINAL SECTION
SCALE: 1:100M
A-3



6 DETAIL - 2
SCALE: 1:20M
A-3

- 100mm THK R.C. PARAPET WALL W/ 200mmX150mm PRECAST MOULDING, PAINTED FINISH
- 100mm THK R.C. PARAPET WALL W/ 100mm THK CHB PARAPET WALL WITH PLAIN CEMENT PLASTER/PAINT FINISH (TYP. TO ALL SIDES)
- R.C. CUTTER W/ CEMENT BASE WATERPROOFING
- (0.60mm THK) PRE-PAINTED LONGSPAN CORR. GL. ROOFING SHEET (SEE SCHED. OF FINISH)
- R.C. BEAM (VERIFY STRUCTURAL)
- 100mmØ DS W/ BASKET STRAINER
- 6mm THK ORD. PLYWOOD INT. CEILING ON 50x 50mm CEILING JOIST @800mm O.C BOTHWAYS (PAINT FIN.)
- 6mmX6mm DRIP MOULD O.C.

DESIGNED BY :
JUNELSON P. CULLADO
CDD-OPERATOR
ED-0494D

ARCHITECT :
JET RAYMOND G. CARABASO
ARCHITECT III
ED-0494D

RECOMMENDING APPROVAL :
LUIS G. PURISIMA, JR.
ASST. CHIEF, ED-AS
ED-0494D

RECOMMENDING APPROVAL :
ANNABELLE R. RANCA
CHIEF
OFFICE OF THE CHIEF, ED-AS

APPROVED BY :
ALVIN FEL B. PASCUA
UNDERSECRETARY FOR ADMINISTRATION

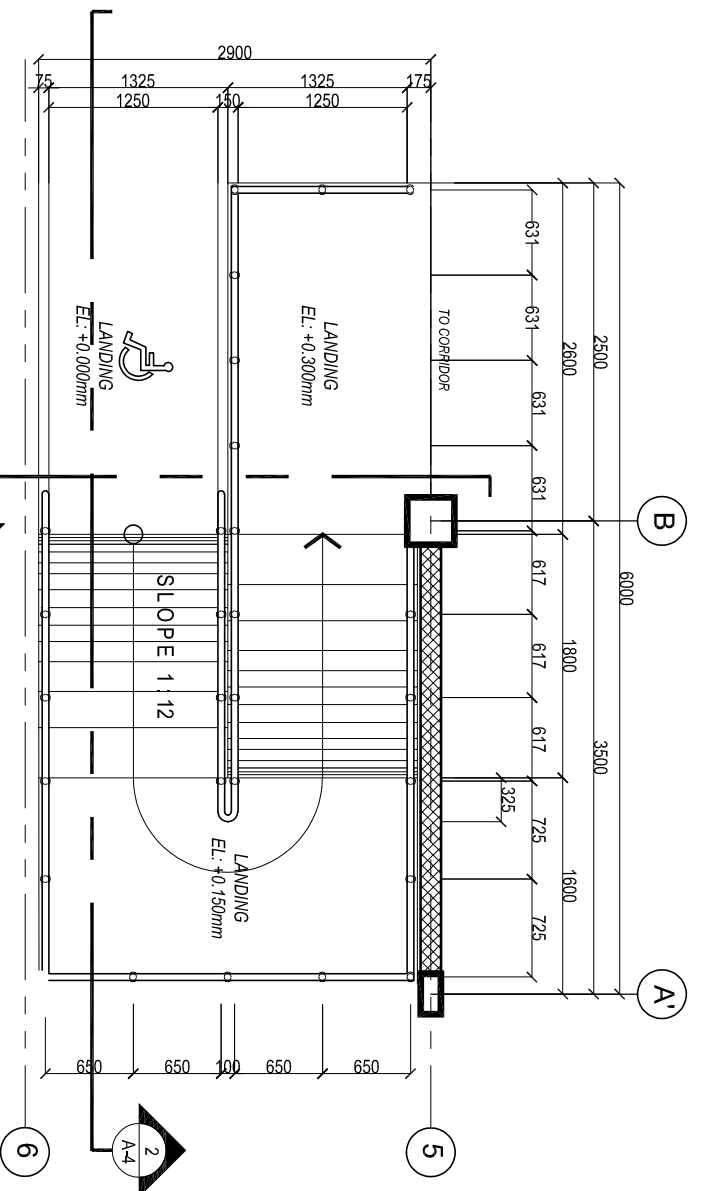
PROJECT TITLE :
SCHOOL CLINIC (7 x 9)

PROJECT CODE :

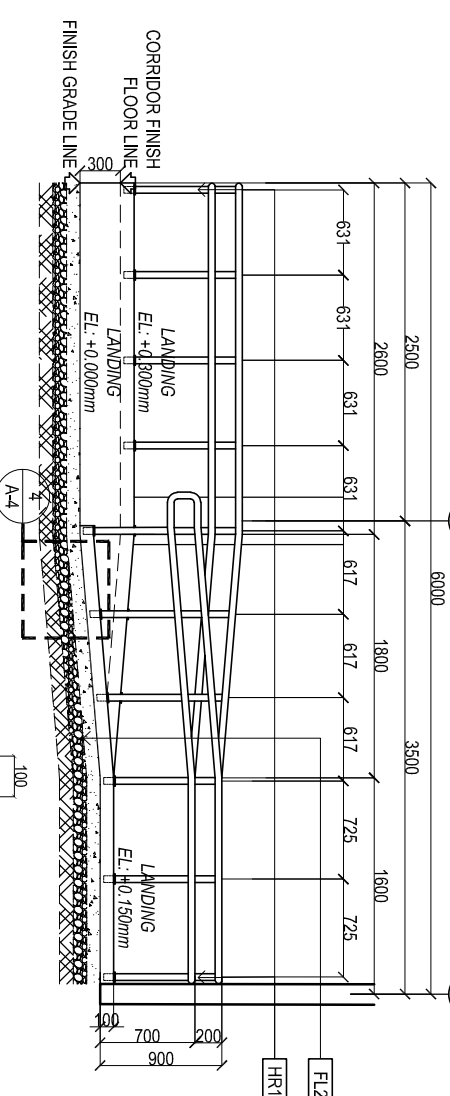
OWNER :
DEPARTMENT OF EDUCATION
DepEd

SHEET NO. :
A-3
4

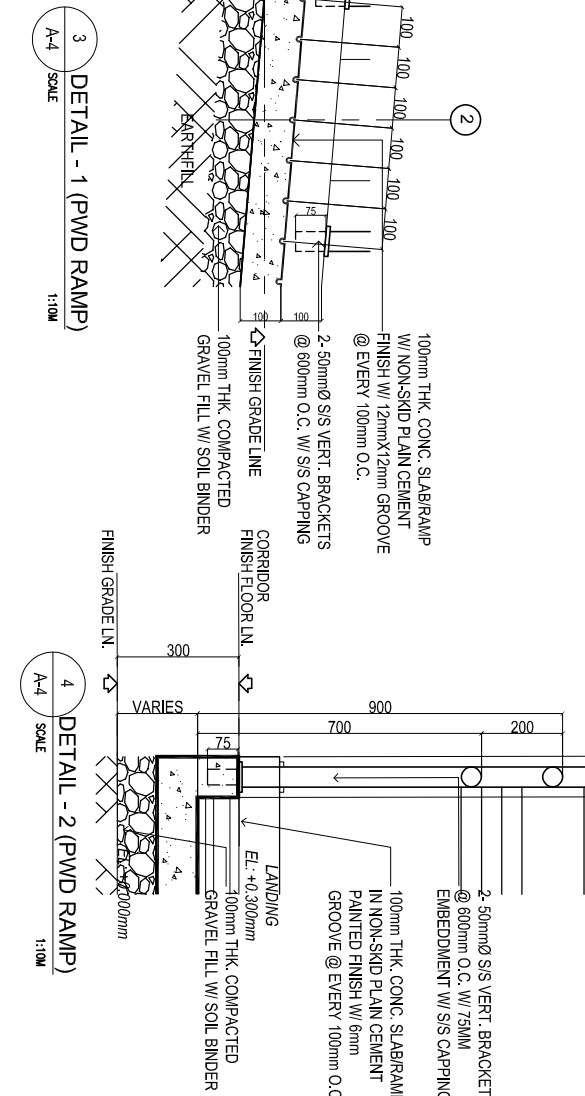
SHEET COMMENTS :
- RIGHT SIDE ELEVATION
- LEFT SIDE ELEVATION
- LONGITUDINAL SECTION
- CROSS SECTION
- DETAIL



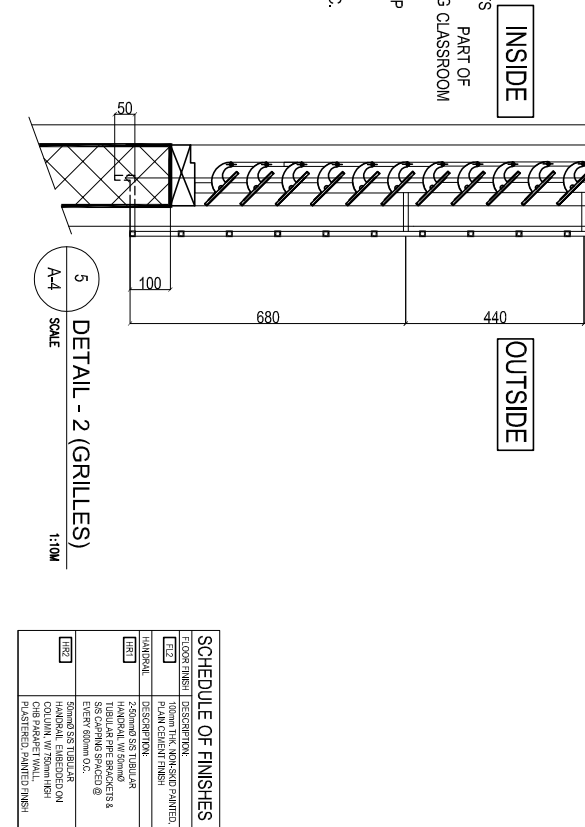
1 DET. PLAN OF PWD RAMP
1:30M SCALE



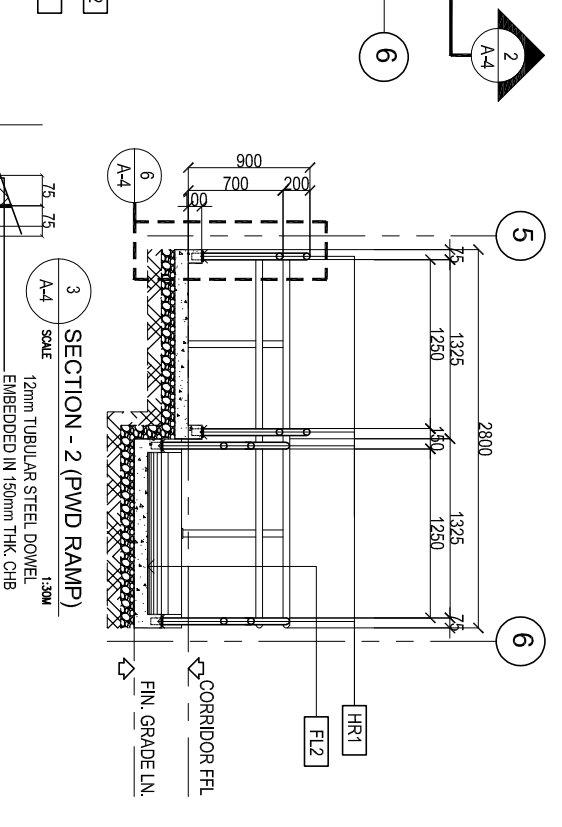
2 SECTION - 1 (PWD RAMP)
A-4 SCALE



3 DETAIL - 1 (PWD RAMP)
1:10M SCALE

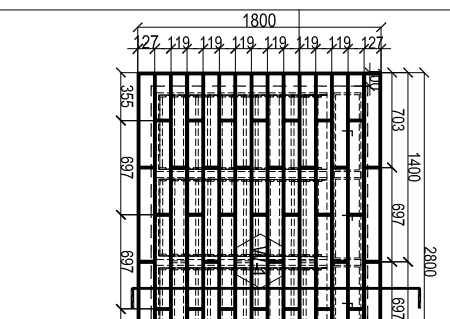


4 DETAIL - 2 (PWD RAMP)
1:10M SCALE

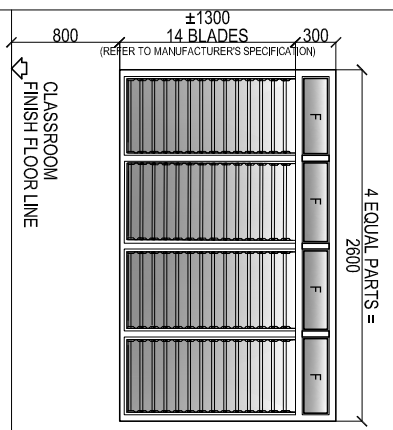


3 SECTION - 2 (PWD RAMP)
1:30M SCALE

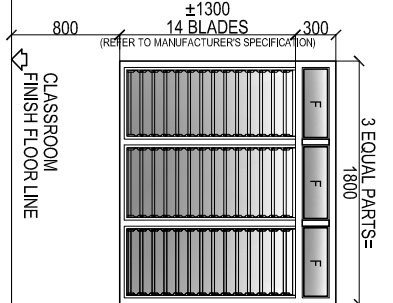
SCHEDULE OF FINISHES	
CEILING	PLAIN CEILING FINISH
FLOORING	100mm THK. NON-SKID PLAIN CEMENT FINISH
WALLS	NON-SKID PLAIN CEMENT FINISH
DOORS	TERMINITE-TREATED PANEL DOOR TYPE
WINDOWS	6mm CLEAR GLASS BLADES ON 50mm X 150mm KD WOOD & TERMINITE-TREATED (YAKAL/GUIHO) OR CONCRETE JAMB & STEEL GRILLES (SEE DETAIL)
TOILETS	50mm Ø S/S TUBULAR BAR GRILLES PAINTED FINISH, EQUALLY SPACED @ 700 O.C.
TOILET PARTITION	50mm Ø S/S TUBULAR BAR GRILLES PAINTED FINISH, EQUALLY SPACED @ 700 O.C.
TOILET DOOR	HINGED DOOR & FIXED GLASS TRANSOM IN 50mm X 150mm WOOD JAMB/FRAME AND LEVER-TYPE KNOB. PROVIDE S/S KICKPLATE
TOILET WALL	NON-SKID PLAIN CEMENT FINISH
TOILET FLOOR	100mm THK. COMPACTED GRAVEL FILL W/ SOIL BINDER



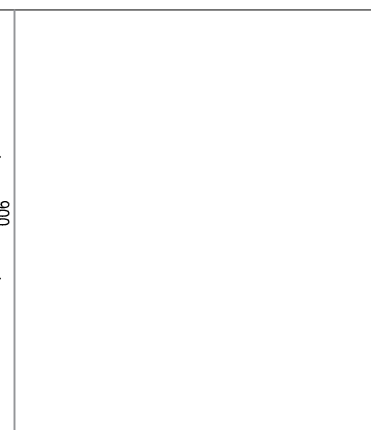
5 DETAIL - 2 (GRILLES)
1:10M SCALE



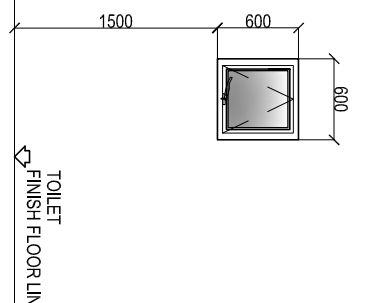
W-1
TAG NO. W-1
DESCRIPTION: JALOUSIE WINDOW W/ 6mm CLEAR GLASS BLADES ON 50mm X 150mm KD WOOD & TERMINITE-TREATED (YAKAL/GUIHO) OR CONCRETE JAMB & STEEL GRILLES (SEE DETAIL)
LOCATION: CLASSROOMS
NO. OF SETS: 10 SETS



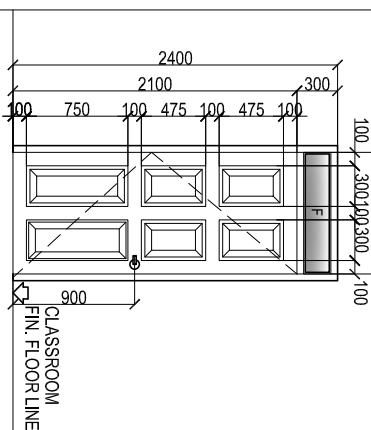
W-2
TAG NO. W-2
DESCRIPTION: JALOUSIE WINDOW W/ 6mm CLEAR GLASS BLADES ON 50mm X 150mm KD WOOD & TERMINITE-TREATED (YAKAL/GUIHO) OR CONCRETE JAMB & STEEL GRILLES (SEE DETAIL)
LOCATION: CLASSROOMS
NO. OF SETS: 10 SETS



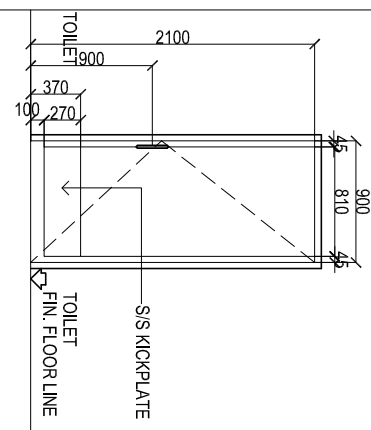
D-1
TAG NO. D-1
DESCRIPTION: KD & TERMINITE-TREATED PANEL DOOR TYPE HINGED DOOR & FIXED GLASS TRANSOM IN 50mm X 150mm WOOD JAMB/FRAME AND LEVER-TYPE KNOB
LOCATION: CLASSROOMS
NO. OF SETS: 10 SETS



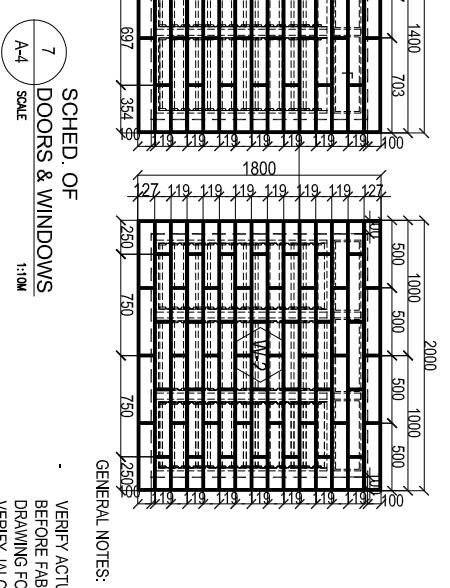
D-2
TAG NO. D-2
DESCRIPTION: HOLLOW-CORE FLUSH TYPE SWING DOOR IN 50mm X 150mm GULUYAKAL JAMB W/ MARINE PLYWOOD (TWO FACE) W/ HARDWARE & ACCESSORIES AND LEVER TYPE DOOR KNOB
LOCATION: HE. SHE. TOILET
NO. OF SETS: 4 SETS



D-3
TAG NO. D-3
DESCRIPTION: KD & TERMINITE-TREATED PANEL DOOR TYPE HINGED DOOR & FIXED GLASS TRANSOM IN 50mm X 150mm WOOD JAMB/FRAME AND LEVER-TYPE KNOB. PROVIDE S/S KICKPLATE
LOCATION: TOILET
NO. OF SETS: 1 SET



TOILET
TAG NO. TOILET
DESCRIPTION: 50mm Ø S/S TUBULAR BAR GRILLES PAINTED FINISH, EQUALLY SPACED @ 700 O.C.
LOCATION: TOILET
NO. OF SETS: 1 SET



7 SCHED OF DOORS & WINDOWS
1:10M SCALE