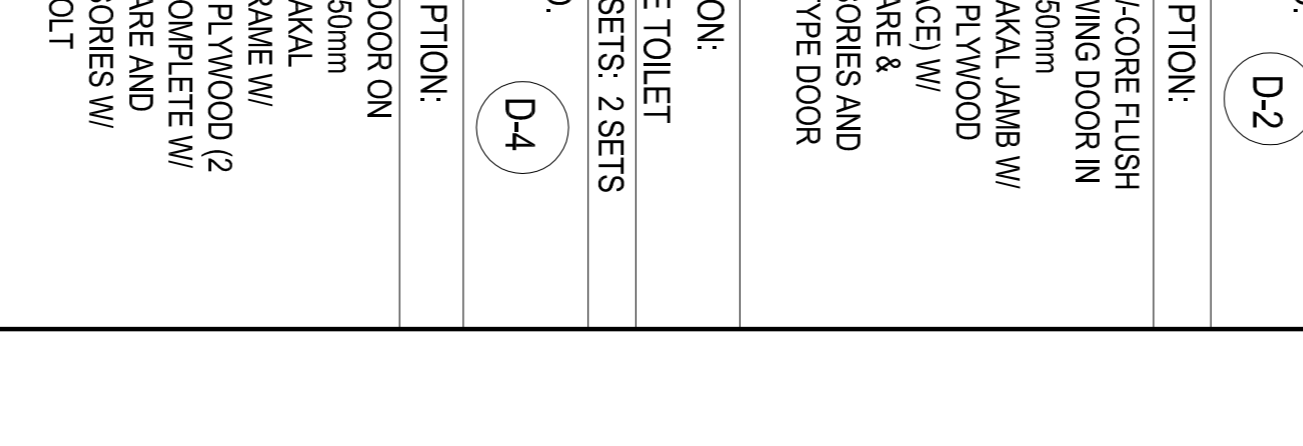
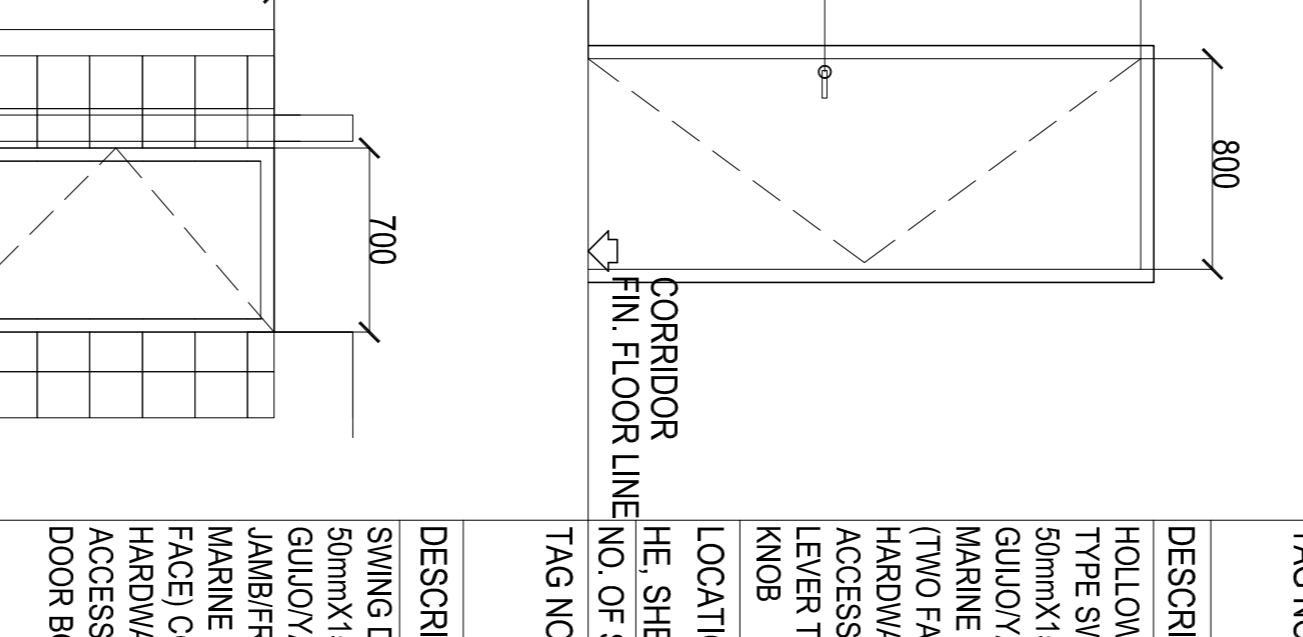
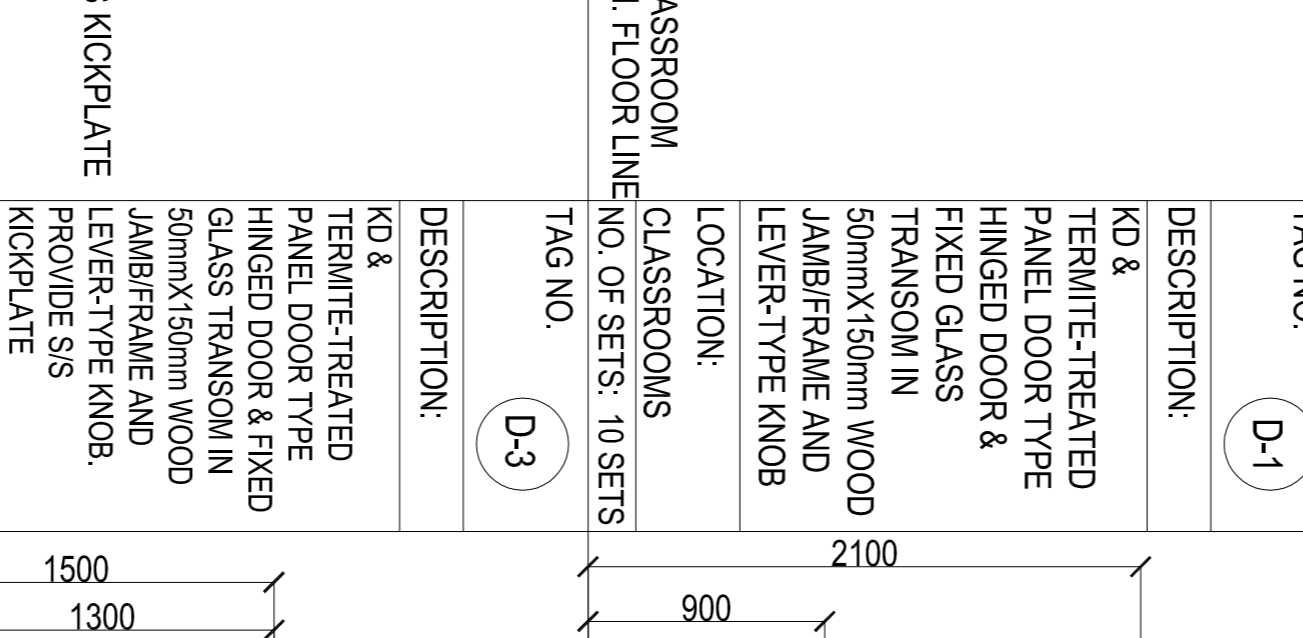
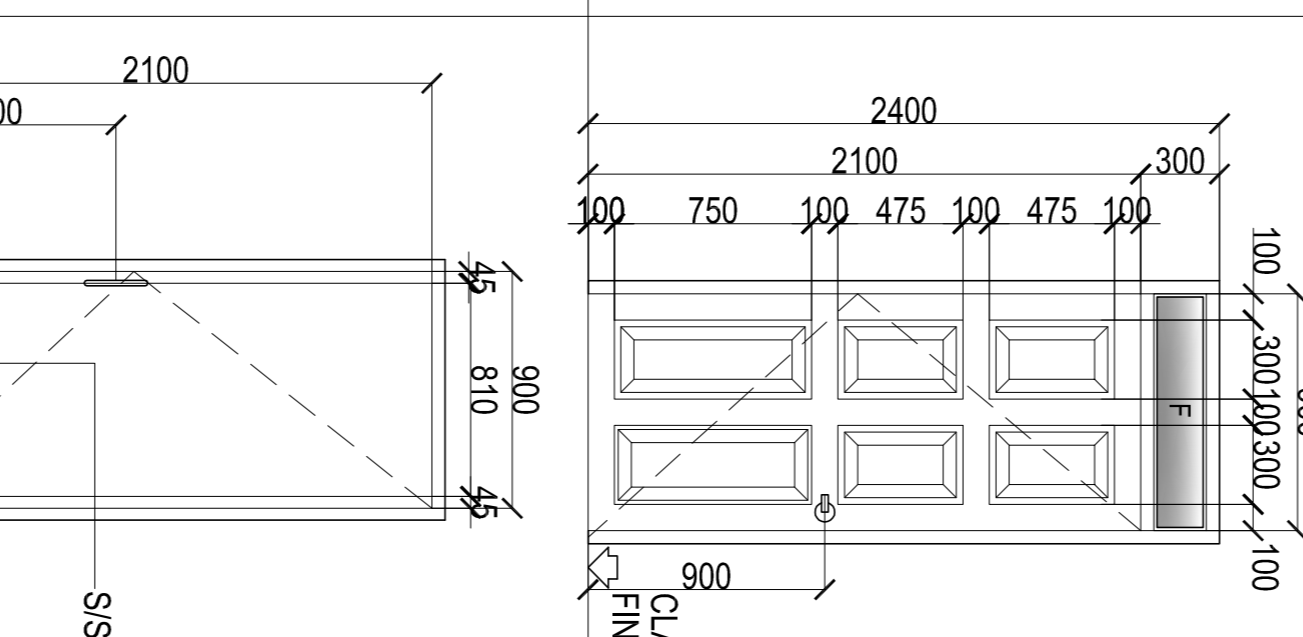
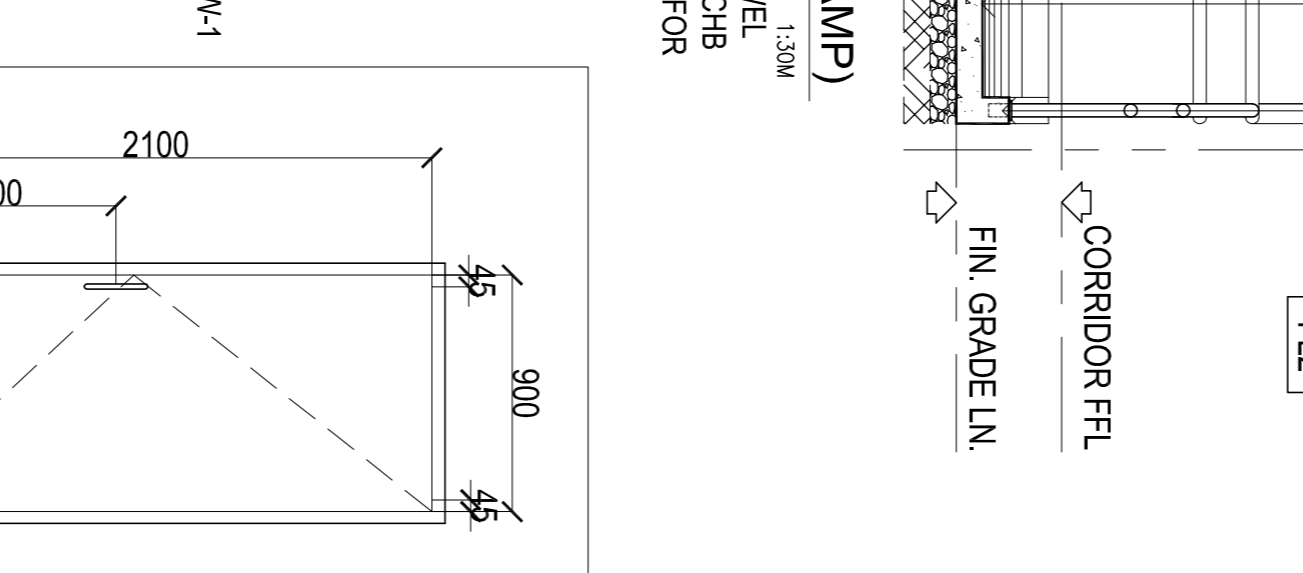
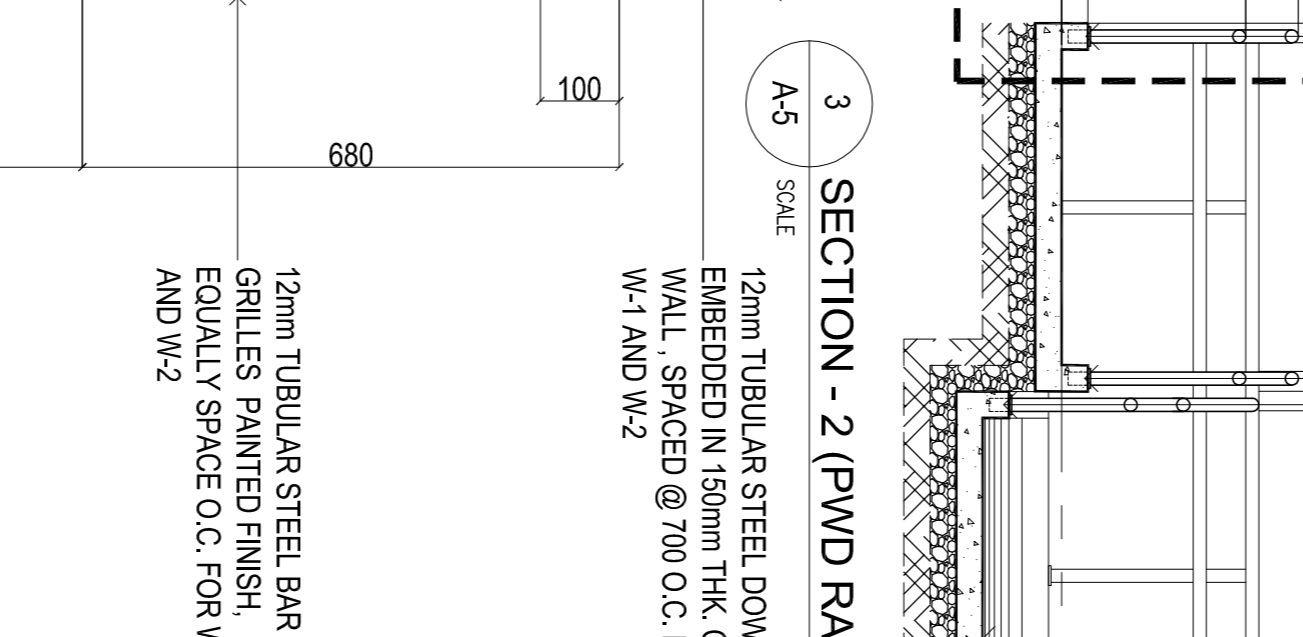
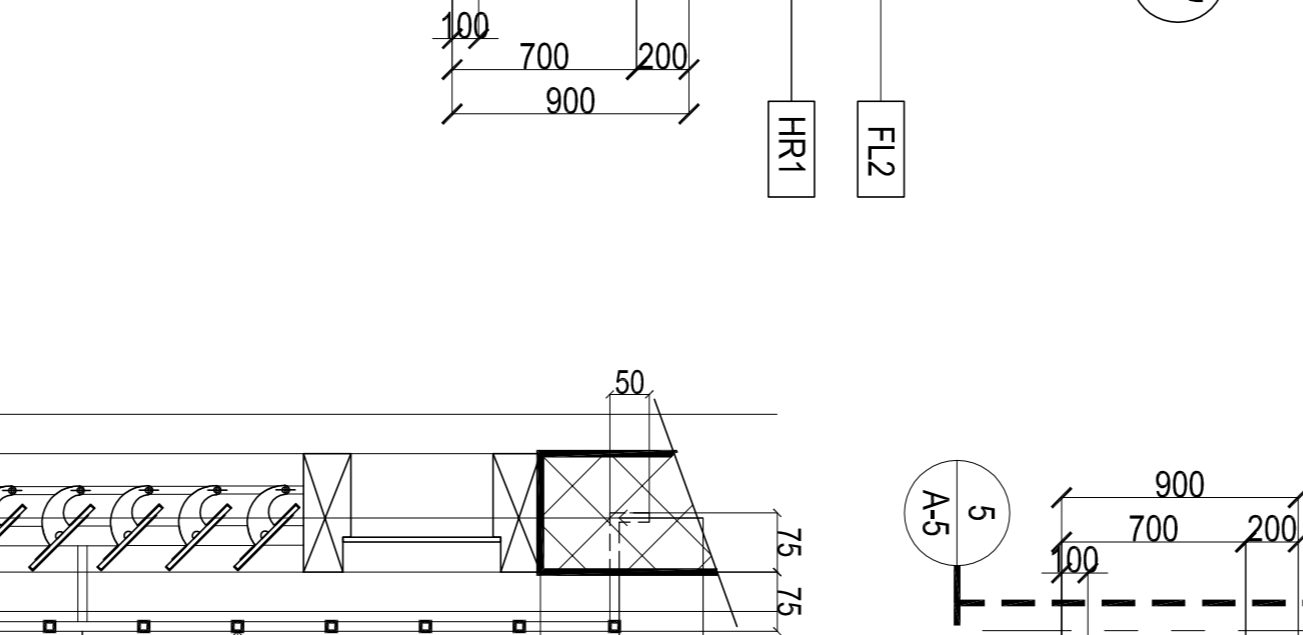
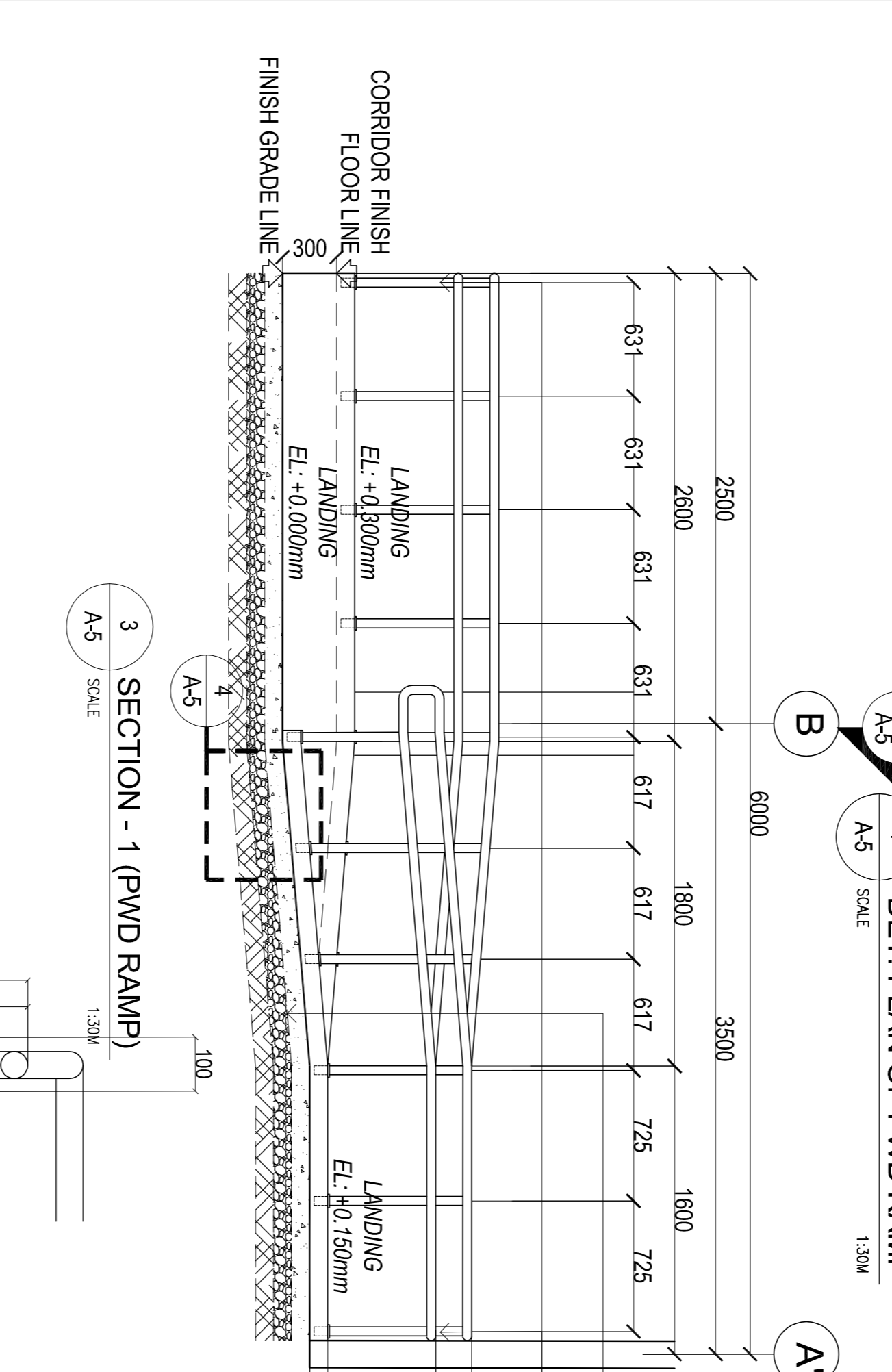
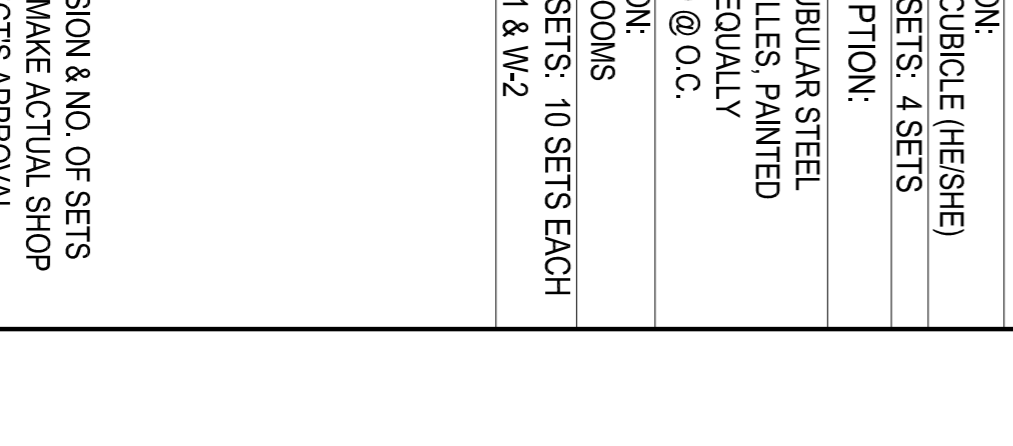
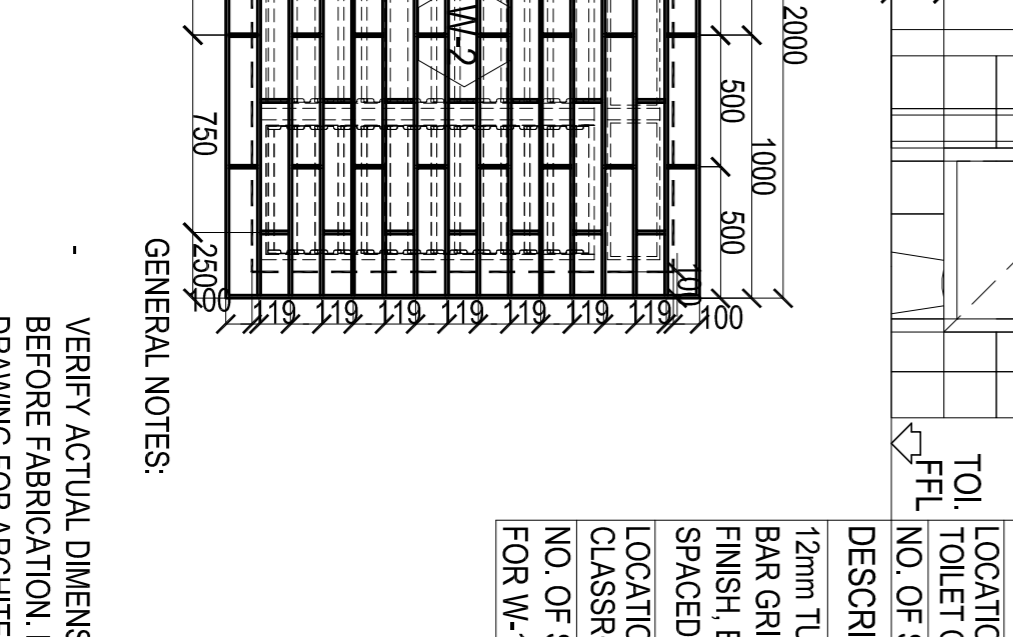
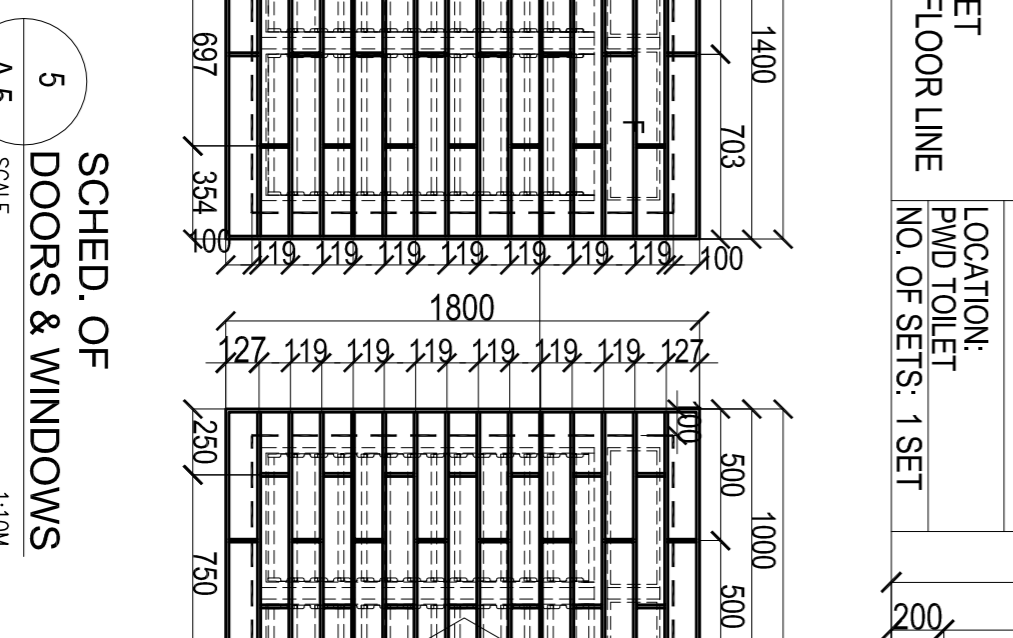
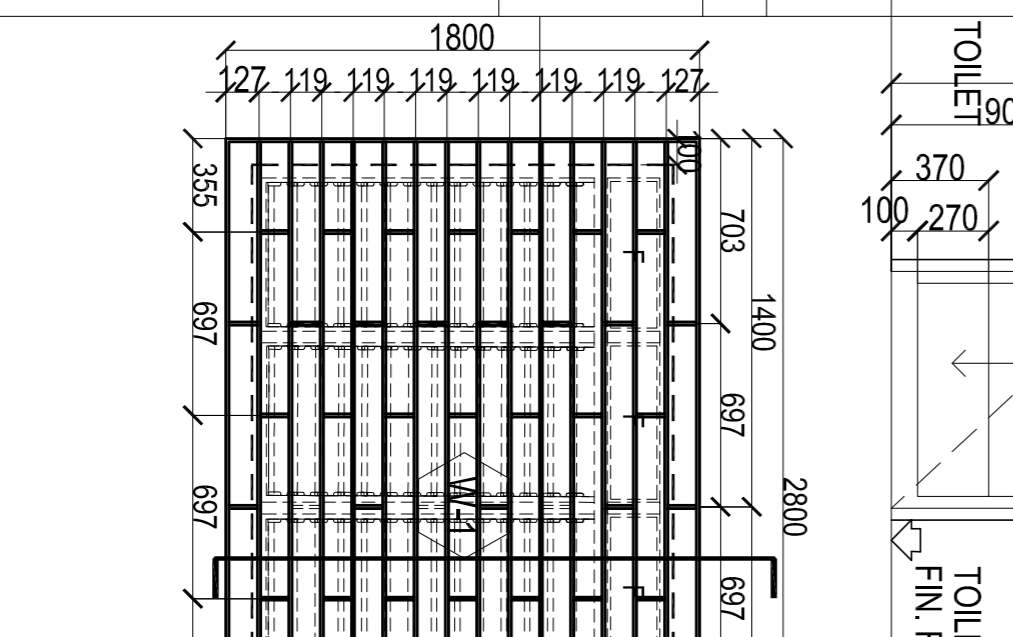


ITEM	DESCRIPTION	FINISH
1	100mm THK. CONCRETE SLAB RAMP	NON-SKID PLAIN CEMENT FINISH
2	2-50mm Ø S/S VERT. BRACKETS @ EVERY 100mm O.C.	PAINTED FINISH W/ 6mm GROOVE @ EVERY 100mm O.C.
3	100mm THK. COMPACTED GRAVEL FILL W/ SOIL BINDER	FINISH GRADE LINE
4	12mm TUBULAR STEEL BAR	EQUALLY SPACE O.C. FOR W-1 AND W-2
5	12mm TUBULAR STEEL DOWEL EMBEDDED IN 150mm THK. CHB WALL, SPACED @ 700 O.C. FOR W-1 AND W-2	



TAG NO.	DESCRIPTION:	LOCATION:	NO. OF SETS:
W-1	JALOUSIE WINDOW W/ 6mm CLEAR GLASS BLADES ON 50mm X 150mm KD WOOD & TERNITE-TREATED (YAKAL/GUJHO) OR CONCRETE JAMB & STEEL GRILLES (SEE DETAIL)	CLASSROOM	10 SETS
W-2	JALOUSIE WINDOW W/ 6mm CLEAR GLASS BLADES ON 50mm X 150mm KD WOOD & TERNITE-TREATED (YAKAL/GUJHO) OR CONCRETE JAMB & STEEL GRILLES (SEE DETAIL)	CLASSROOM	10 SETS
W-3	AWNING WINDOW W/ 6mm CLEAR GLASS BLADES ON STEEL JAMB/FRAMING	CLASSROOM	10 SETS
W-4	JALOUSIE WINDOW W/ 6mm CLEAR GLASS BLADES ON STEEL JAMB/FRAMING	CLASSROOM	10 SETS
D-1	KD & TERNITE-TREATED PANEL DOOR TYPE HINGED DOOR & FIXED GLASS TRANSOM IN 50mm X 150mm WOOD JAMB/FRAME AND LEVER-TYPE KNOB	CLASSROOMS	10 SETS
D-2	HOLLOW-CORE FLUSH TYPE SWING DOOR IN 50mm X 150mm GULUY/YAKAL W/ MARINE PLYWOOD (TWO FACE) W/ HARDWARE & ACCESSORIES AND LEVER-TYPE DOOR KNOB	CORRIDOR	2 SETS
D-3	KD & TERNITE-TREATED PANEL DOOR TYPE HINGED DOOR & FIXED GLASS TRANSOM IN 50mm X 150mm WOOD JAMB/FRAME AND LEVER-TYPE KNOB, PROVIDE S/S KICKPLATE	TOILET	1 SET
D-4	SWING DOOR ON 50mm X 150mm GULUY/YAKAL W/ MARINE PLYWOOD 1/2 FACE, COMPLETE W/ HARDWARE AND ACCESSORIES W/ DOOR BOLT	TOILET	4 SETS