

DESIGN BY:
 JUNESON P. CULLADO
 CAD OPERATOR
 EFD-DepED

ENGINEER:
 JACKSON C. MACHIEB
 MASTER PLUMBER
 EFD-DepED

RECOMMENDING APPROVAL:
 LUIS G. FURISIMA, JR.
 ASST. CHIEF, EFD-OPS
 DepED

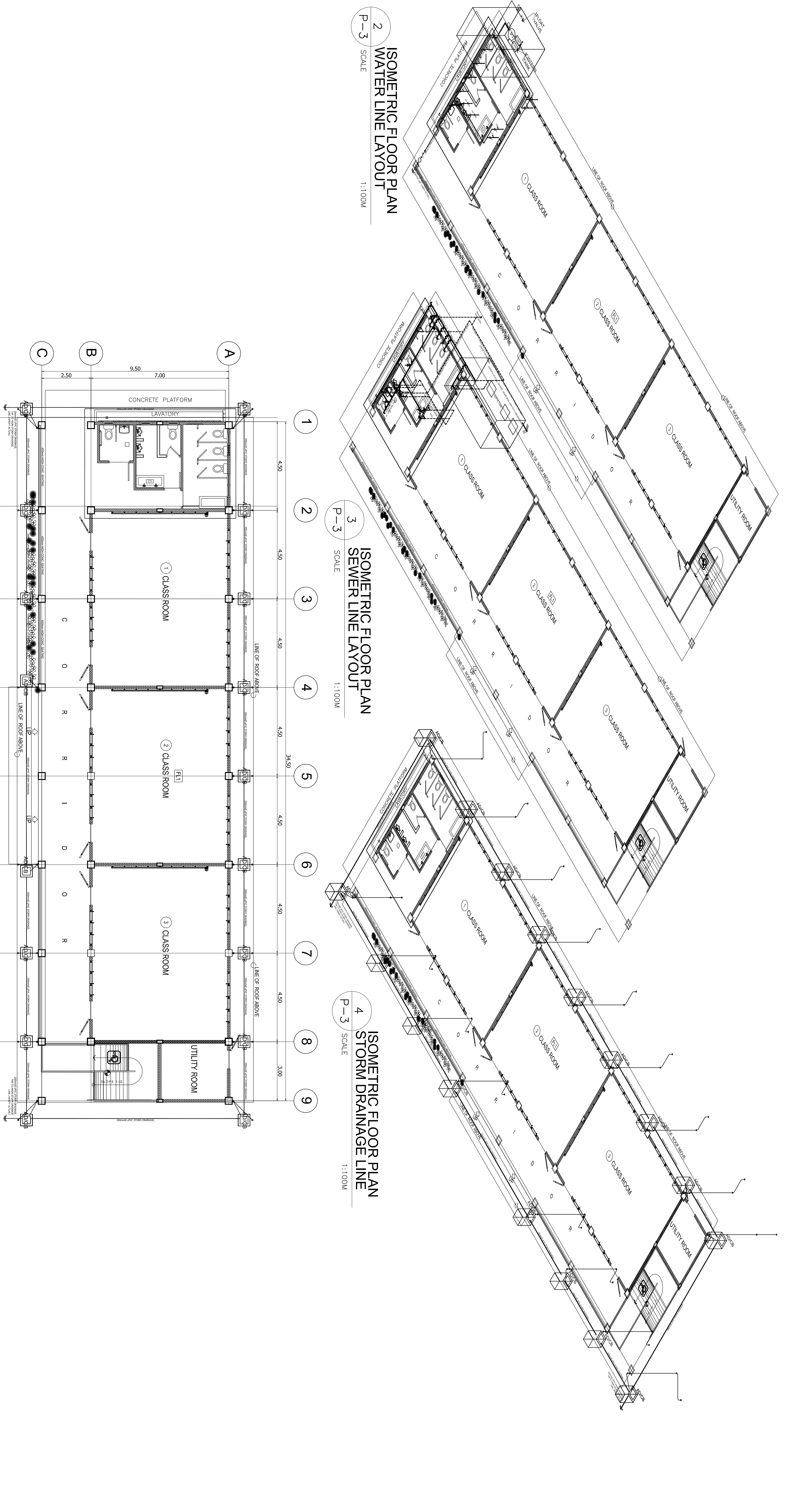
RECOMMENDING APPROVAL:
 ANNABELLE R. FANGCAN
 CHIEF
 OFFICE OF THE CHIEF, EFD-OPS

APPROVED BY:
 ALAIN DEL B. PASCUA
 UNDERSECRETARY FOR ADMINISTRATION

PROJECT TITLE:
**MODIFIED STANDARD DEPED
 ONE (1) STOREY THREE (3) CLASSROOM
 SCHOOL BUILDING
 (WITH COMMON TOILETS @ ONE SIDE)**

PROJECT CODE:
 DEPARTMENT OF EDUCATION
 DepED

OWNER:
 DEPARTMENT OF EDUCATION
 DepED



1 FLOOR PLAN STORM DRAINAGE LINE
 SCALE 1:100M

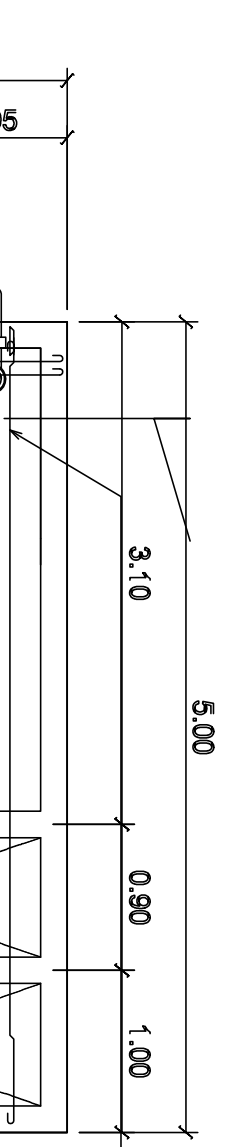
2 ISOMETRIC FLOOR PLAN WATER LINE LAYOUT
 SCALE 1:100M

3 ISOMETRIC FLOOR PLAN SEWER LINE LAYOUT
 SCALE 1:100M

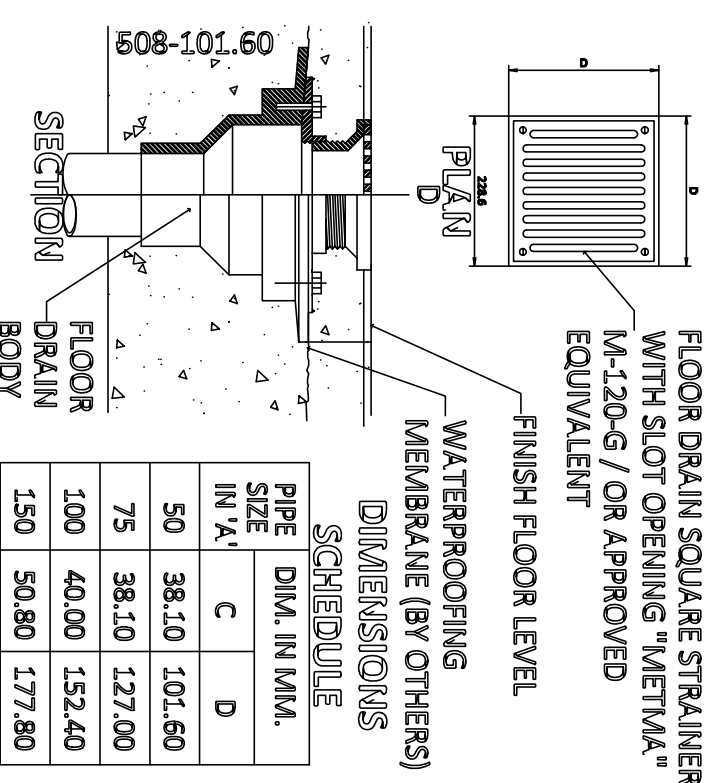
4 ISOMETRIC FLOOR PLAN STORM DRAINAGE LINE
 SCALE 1:100M

- ALL PIPES SHALL BE INSTALLED AS INDICATED ON PLANS. ANY RELOCATIONS REQUIRED FOR PROPER EXECUTIONS OF OTHER TRADES SHALL BE WITH PRIOR APPROVAL OF THE ARCHITECT OR ENGINEER.
- PROPOSED UTILITIES SHALL CONFORM TO THE ACTUAL LOCATION, DEPTH AND INVERT ELEVATION OF ALL EXISTING PIPES AND STRUCTURES AS VERIFIED BY THE CONTRACTOR.
- ALL SLOPES FOR HORIZONTAL DRAINAGES SHALL MAINTAIN 2% AS MINIMUM UNLESS NOTED OTHERWISE.
- ALL FIXTURES SHALL BE VENTED, UNLESS OTHERWISE INDICATED.
- AIR CHAMBER, ALL INDIVIDUAL BRANCHES TO FIXTURES OR GROUP OF FIXTURES AND/OR EQUIPMENTS SHALL BE PROVIDED WITH AIR CHAMBER OF CAPPED VERTICAL PIPE EXTENSION OF DIMENSIONS AS SHOWN IN THE DETAILS.
- ALL SEWER LINES SHALL BE PVC SERIES 1000, "NIELTEX", "SANIMOLD EXTRA" OR APPROVED EQUAL.
- ALL VENT STACK AND VENT SHALL BE PVC PIPE SERIES 1000, "NIELTEX", "SANIMOLD" OR APPROVED EQUAL.
- ALL GALVANIZED IRON PIPES LAY UNDERGROUND AND WITH DIRECT CONTACT WITH THE SOIL SHALL BE PROVIDED WITH THE THREE PROTECTIVE TAR-COVERING THEN WRAP WITH BURLAP.
- MAIN WATER DISTRIBUTION LINE SHALL BE POLYPROPYLENE PIPE (PPR), ALL OTHER PIPES TO BE USED SHALL BE AS PER PLAN AND SPECIFICATIONS.
- ALL COLD WATER LINES SHALL BE TESTED 100 PSI FOR A PERIOD OF TWO (2) HOURS BEFORE COVERING.
- ALL HOT WATER LINES SHALL BE PROPERLY INSULATED
- ALL WET AREAS SHALL BE WATERPROOFED THRO-SEAL, HY-GARD, OR APPROVED EQUAL AND SHALL BE TESTED FOR TWENTY-FOUR (24) HOURS PRIOR TO FLOOR TAPPING.
- ALL SEWER/WASTE SHALL BE TESTED AT 1.5M HEAD.
- WASTE LINES SHALL BE HYDRO-STATIC TESTED AT LEAST 100PSI PRIOR TO TAPPING.
- ALL SINKS (KITCHEN, PANTY, ETC.) SHALL BE PROVIDED WITH CAST-IRON "METMA" OR STAINLESS STEEL GREASE TRAP WITH 10GPM MINIMUM CAPACITY, IF NEEDED
- ALL SEWER/WASTE LINES, VENT AND WATER LINES SHALL BE PROVIDED WITH ADEQUATE STANDARD PIPE HANGER SUPPORT.
- PROVIDE PIPE SLEEVES AS NEEDED IN WALL PENETRATIONS.
- NO PIPE SHALL PASS THROUGH EXISTING BEAMS AND COLUMNS.

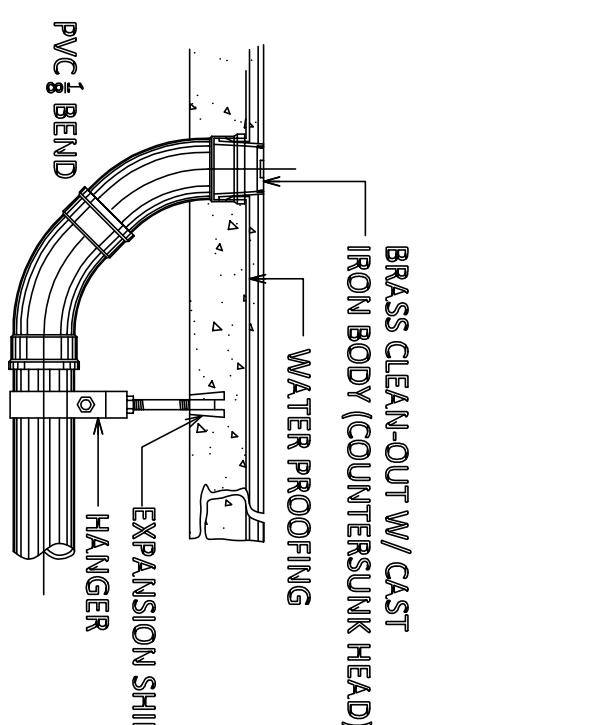
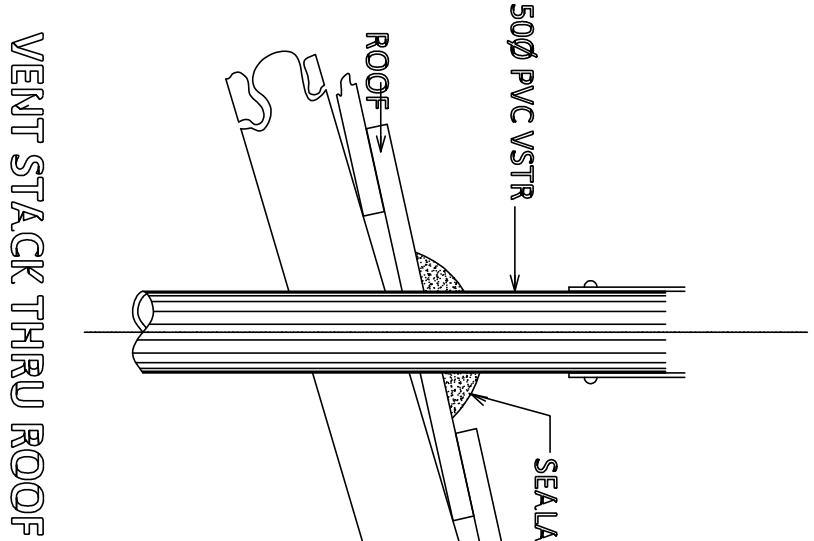
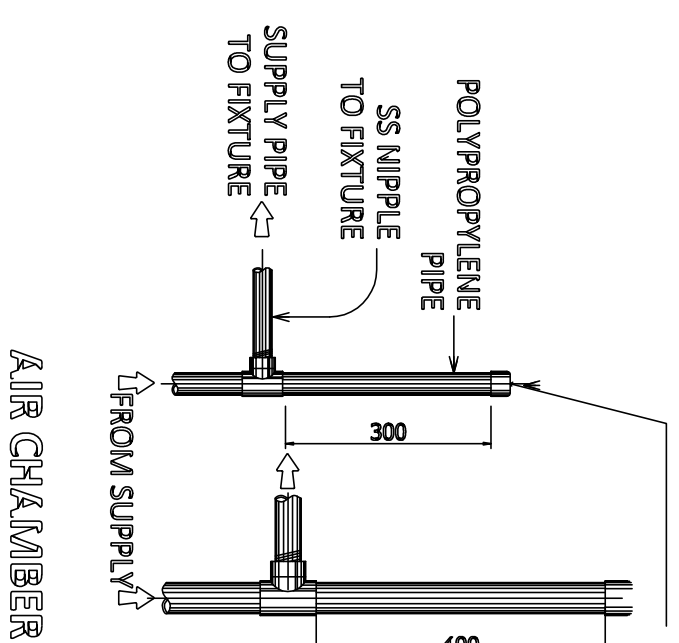
- WC WATER CLOSET
LAV. LAVATORY
KS KITCHEN SINK
GT GREASE TRAP
SHO SHOWER
HB HOSE BIBB
CO CLEAN OUT
FCO FLOOR-CLEAN OUT
F FAUCET
WP WATER PUMP
WT WATER TANK
T TOLLET NO.
①
MH MANHOLE
BP BUSTER PUMP
FLV FLOAT VALVE
LV LAUNDRY DRAIN
BS BIDET SPRAY
VSTR VENT THRU ROOF
TD TUB DRAIN
FD FLOOR DRAIN
GD GUTTER DRAIN
CB CATCH BASIN
DS DOWN SPOUT
SV SEPTIC VAULT
WC WATER CISTERN
SS SOIL STACK
BT BATH TUB
FC FLEX CONNECTOR
PT PRESSURE TANK
HT HYDRO-PNEUMATIC
WP WATER PUMP
- SEWER LINE
STORM LINE
GT GREASE TRAP
CD COKE DISPENSER
CDD COKE DISP. DRAIN
WF WATER FILTER
CAP CAP
TOSP TOI. HOR. SOIL PIPE



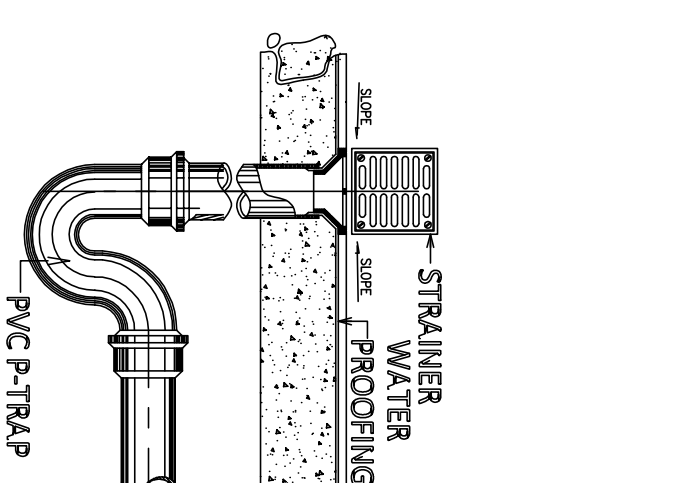
FLOOR DRAIN DETAILS



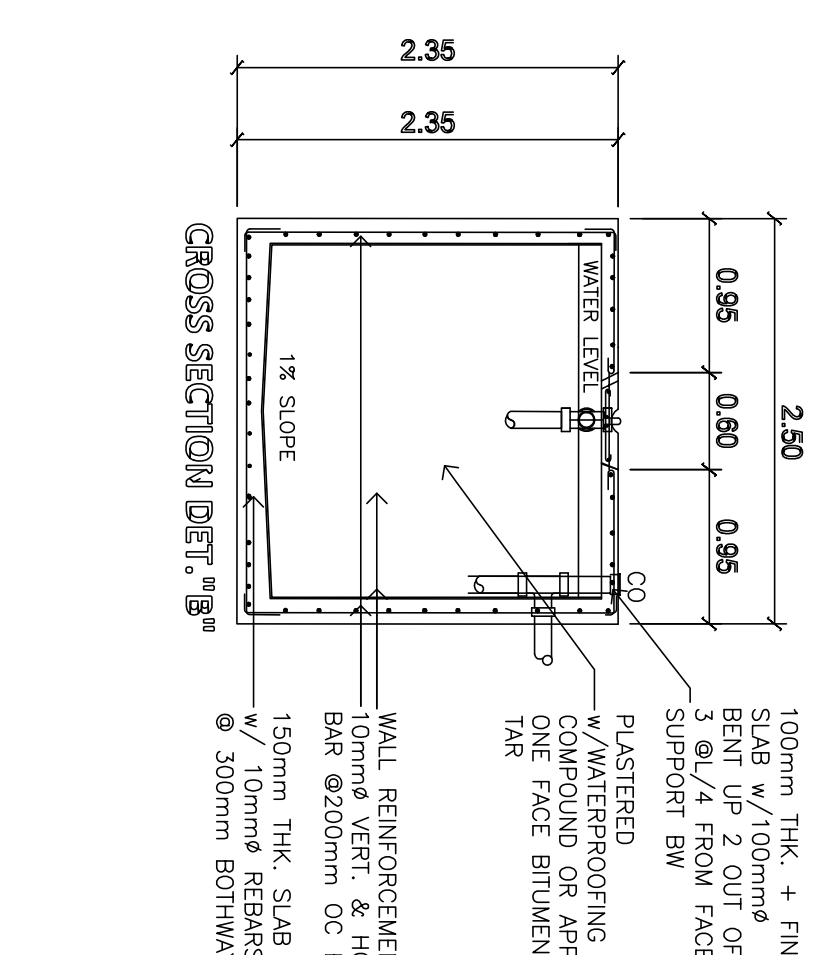
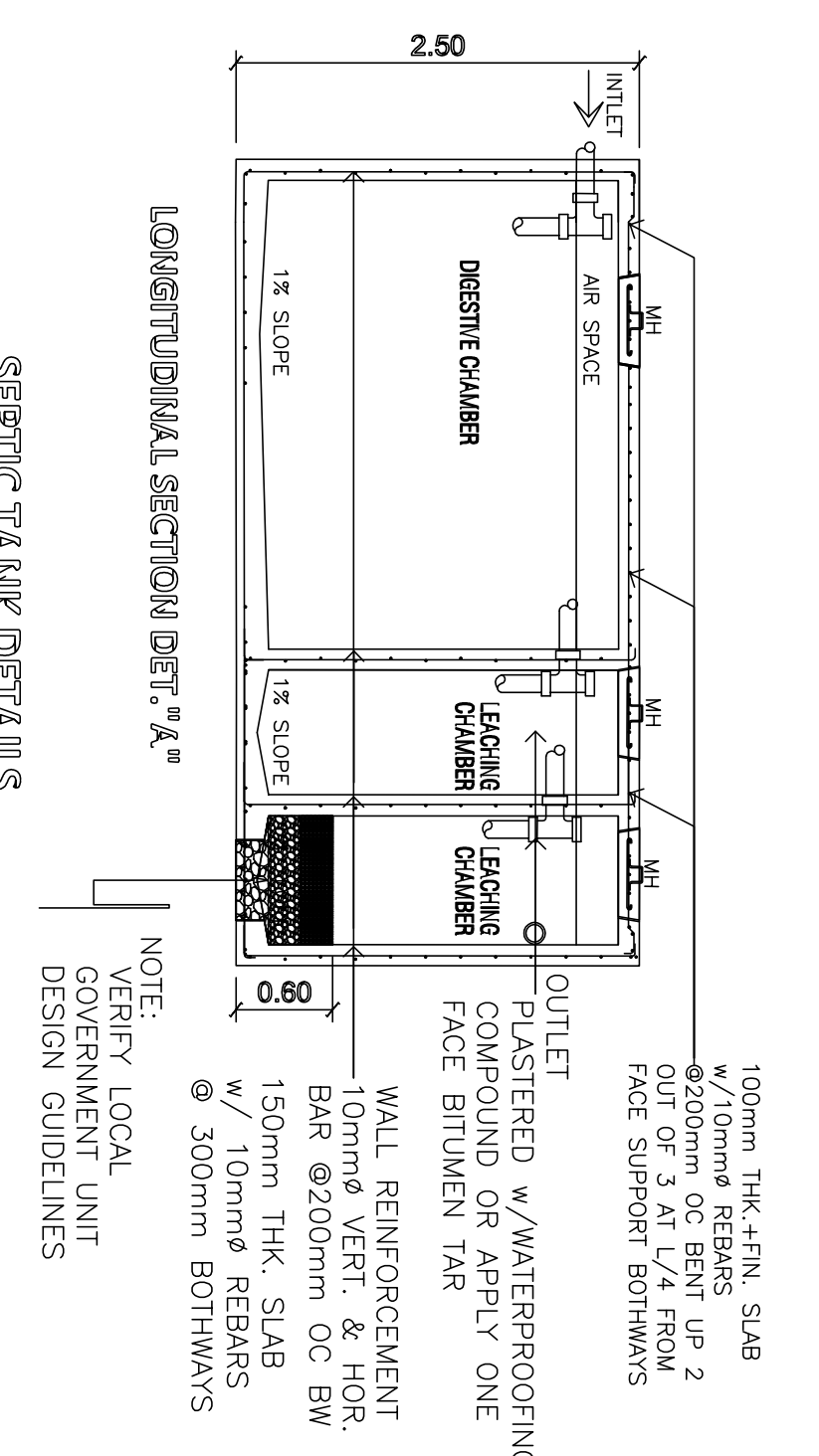
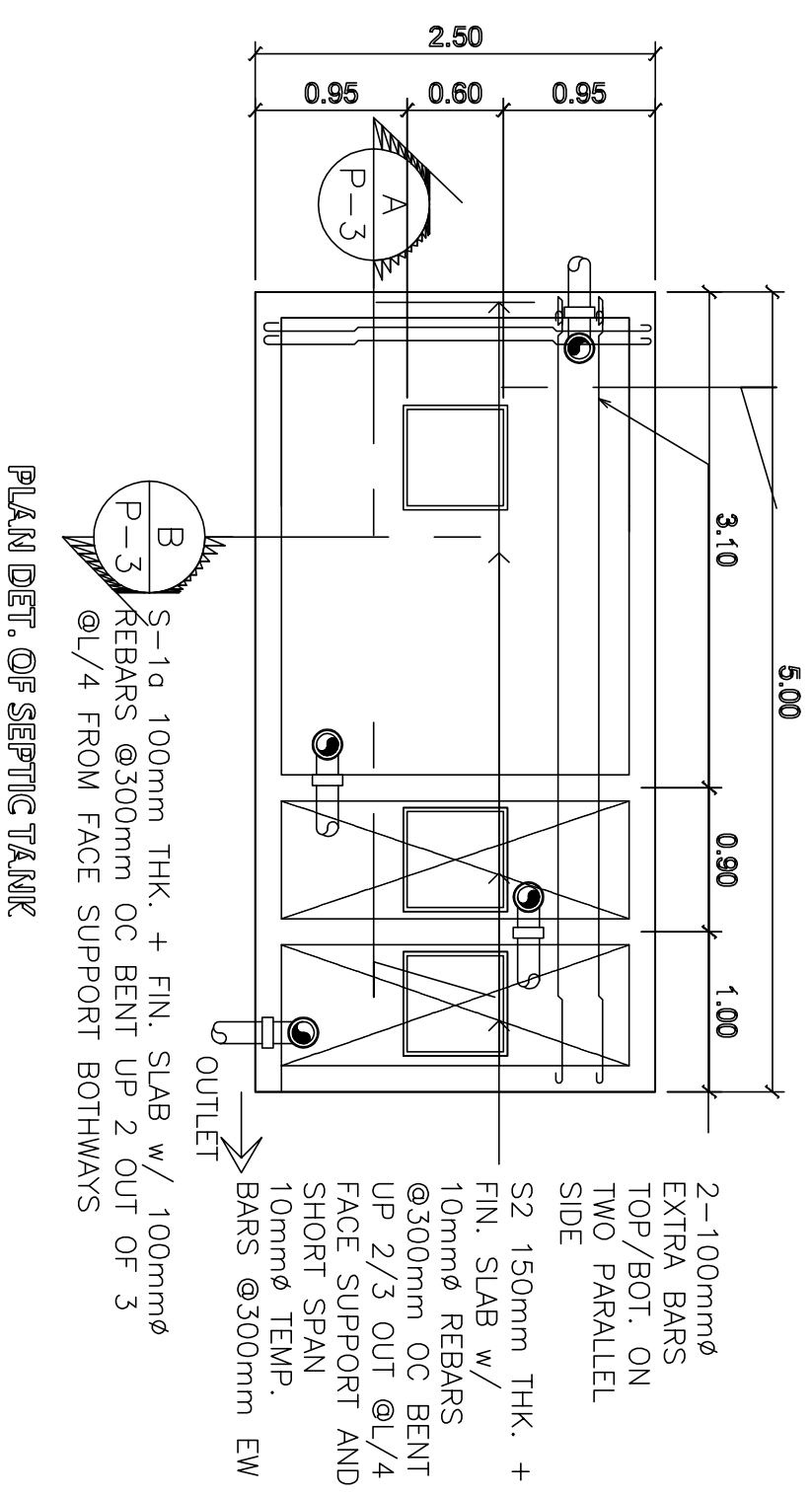
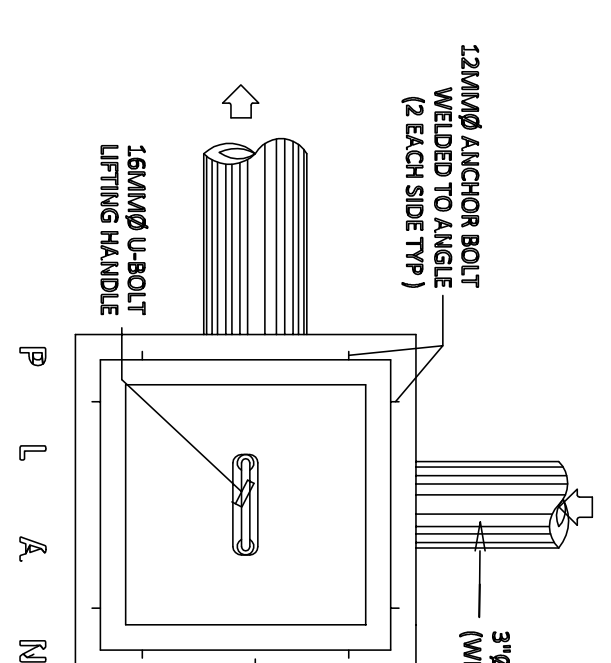
DIMENSIONS	C	D
PIPE DIM. IN MM.	50	101.60
IN. X 1/4	75	38.10
100	40.00	152.40
150	50.80	177.80



DETAIL OF FLOOR CLEAN OUT



CATCH BASIN DETAILS



MISCELLANEOUS DETAILS

NOTE: VERIFY LOCAL GOVERNMENT UNIT DESIGN GUIDELINES

NOTE: VERIFY LOCAL GOVERNMENT UNIT DESIGN GUIDELINES

REPUBLIC OF THE PHILIPPINES



DESIGN BY:	ENGINEER :	RECOMMENDING APPROVAL :	RECOMMENDING APPROVAL :	APPROVED BY :	PROJECT TITLE :	PROJECT CODE :	OWNER :
JUNESEON P. CULLADO CAD OPERATOR ED-0640	JACKSON C. REYES MASTER PLUMBER ED-0640	LUIS G. PURSIMA, JR. ASST. CHIEF, ED-OPS DepEd	ANNABELLE R. PANGCAN CHIEF OFFICE OF THE CHIEF, ED-OPS	ALAIN DEL B. PASCUA UNDERSECRETARY FOR ADMINISTRATION	MODIFIED STANDARD DEPED SCHOOL BUILDING ONE (1) STOREY, THREE (3) CLASSROOM (WITH COMMON TOILETS @ ONE SIDE)		DEPARTMENT OF EDUCATION DepEd

SHEET NO. P-3

SHEET CONTENTS:
ISOMETRIC FLOOR PLAN DRAINAGE LINE
ISOMETRIC FLOOR PLAN WATER LINE LAYOUT
ISOMETRIC FLOOR PLAN SEWER LINE LAYOUT
ISOMETRIC FLOOR PLAN SLOIN DRAINAGE LINE