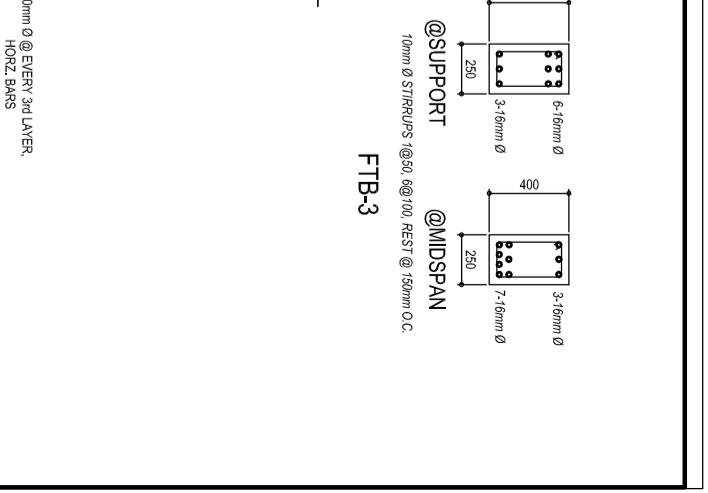
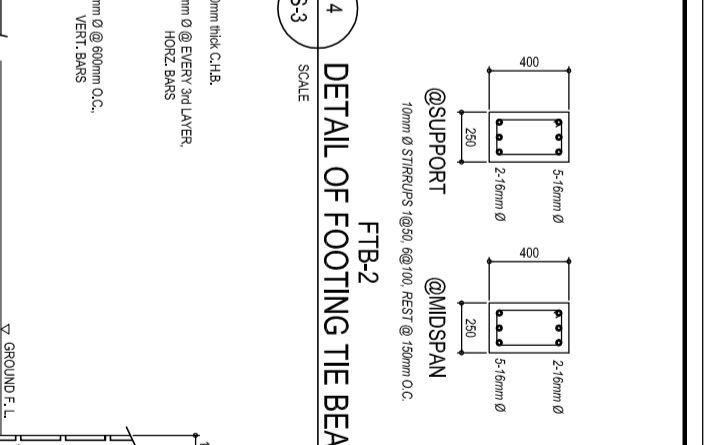
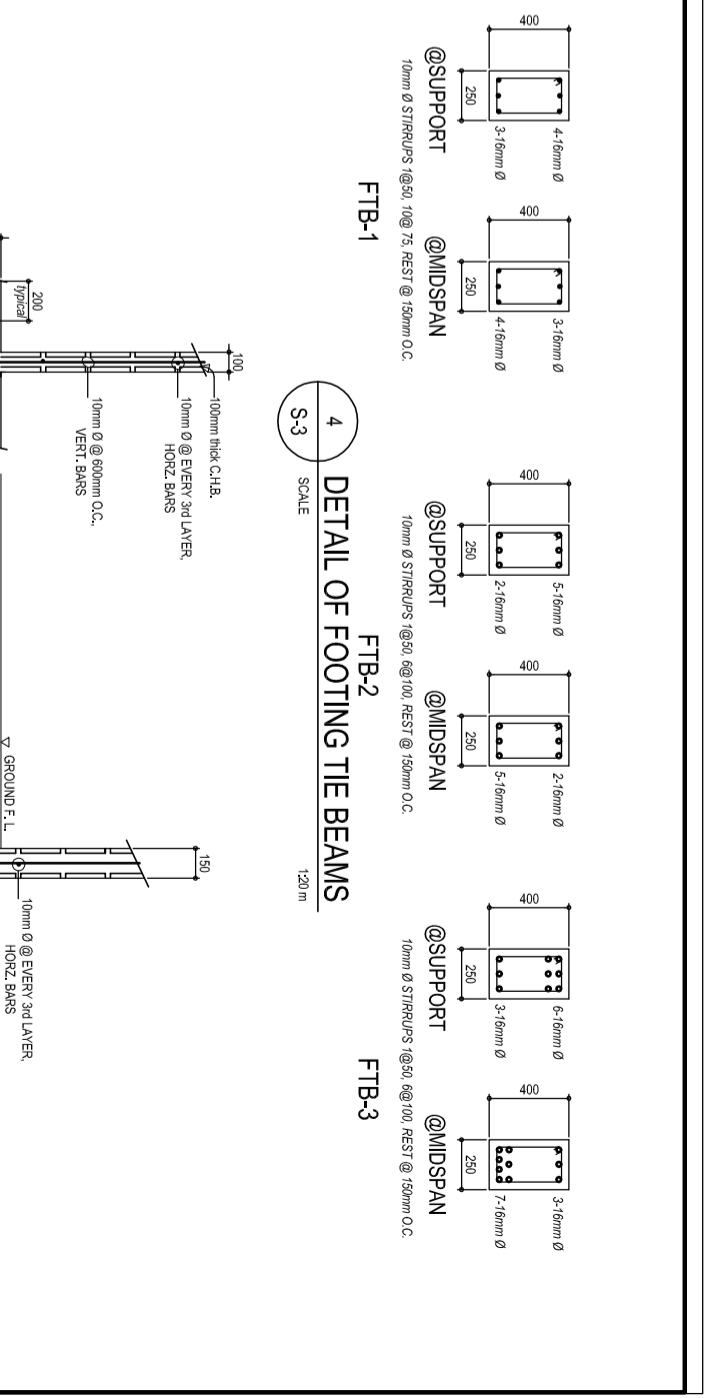
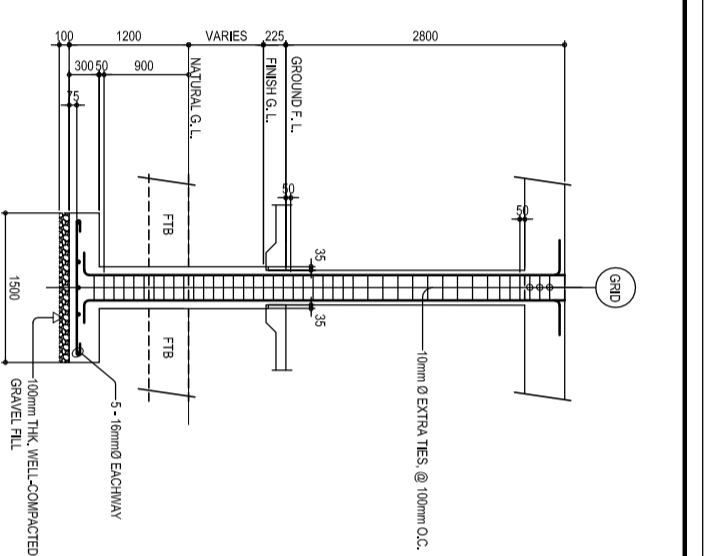
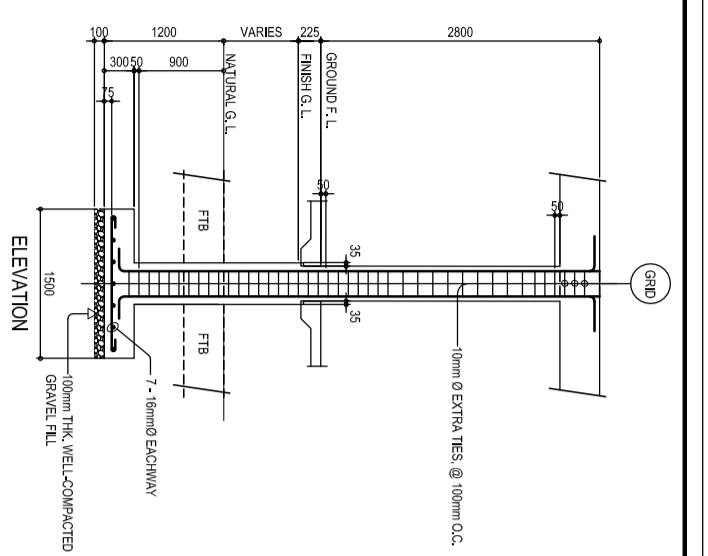
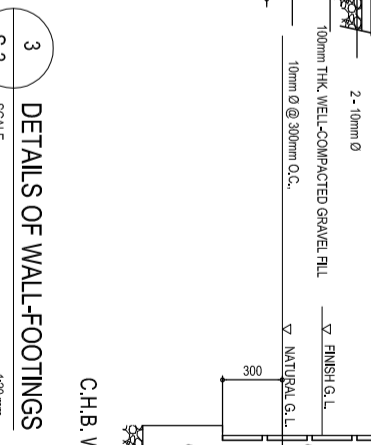
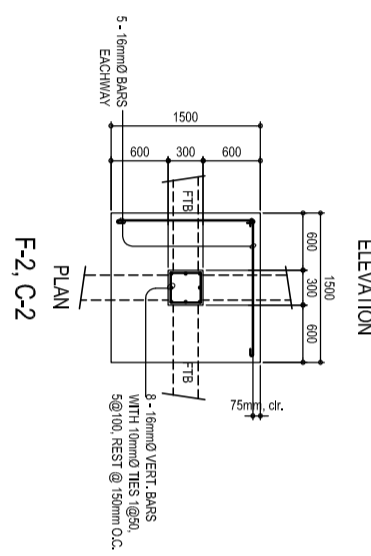
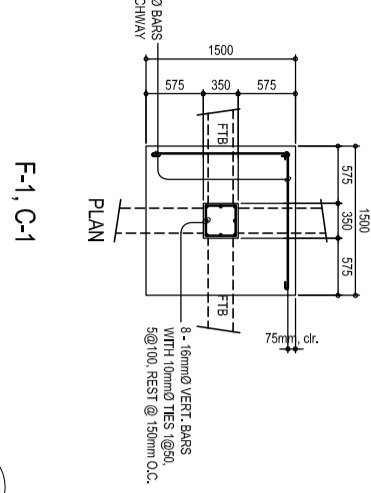
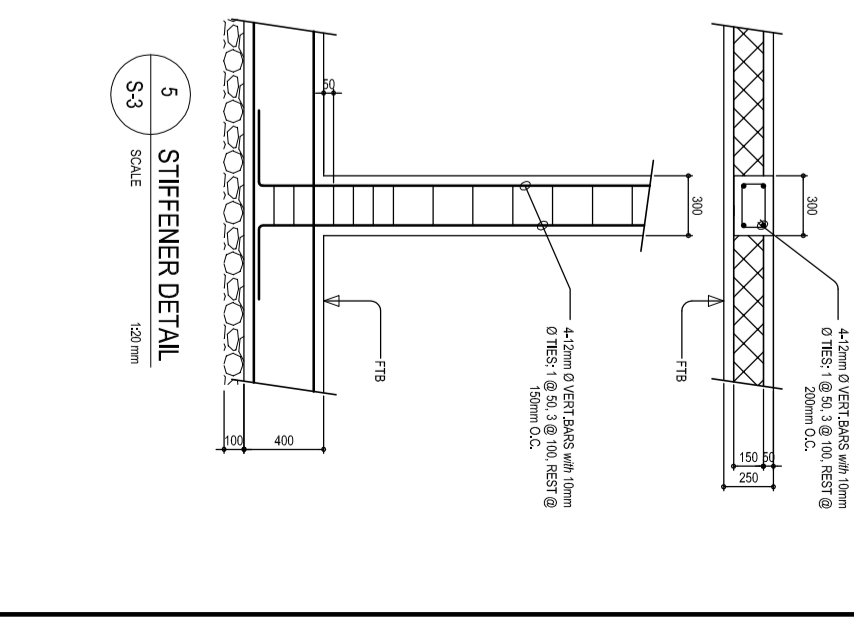
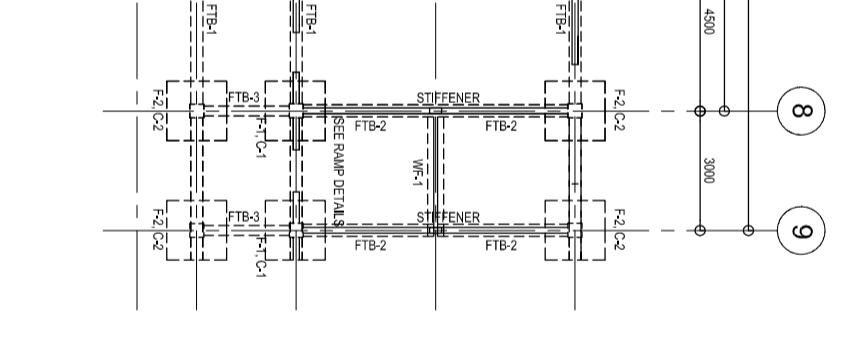
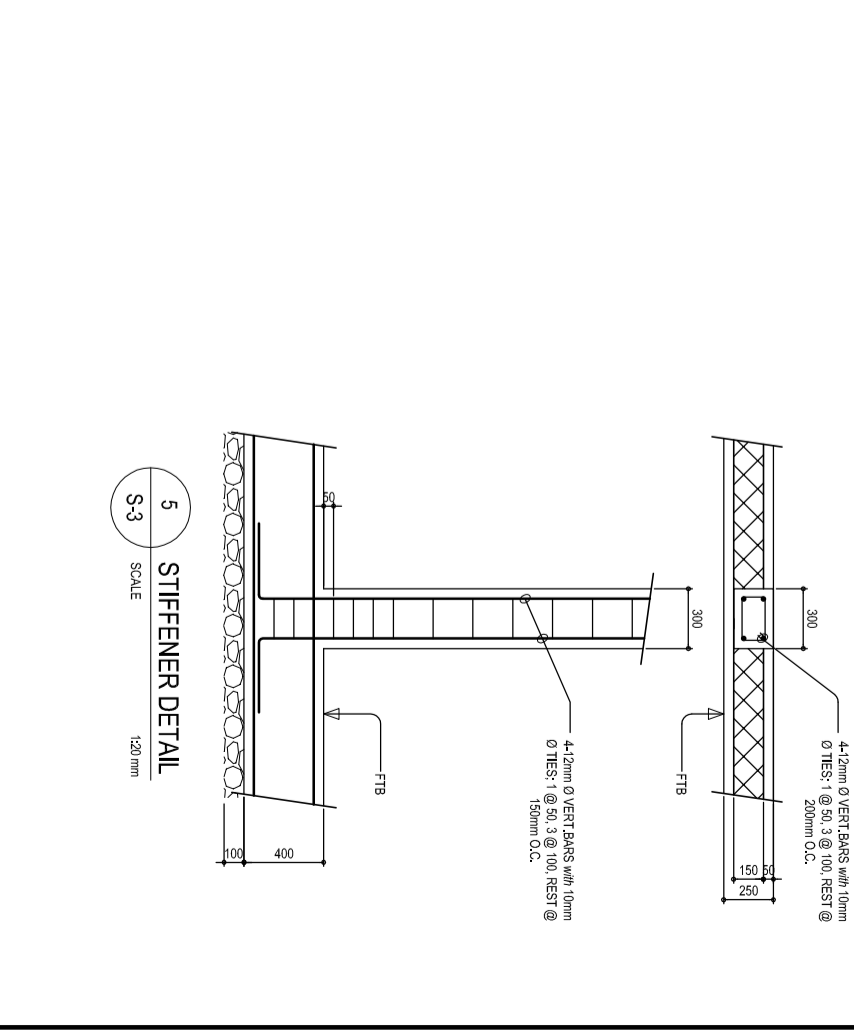
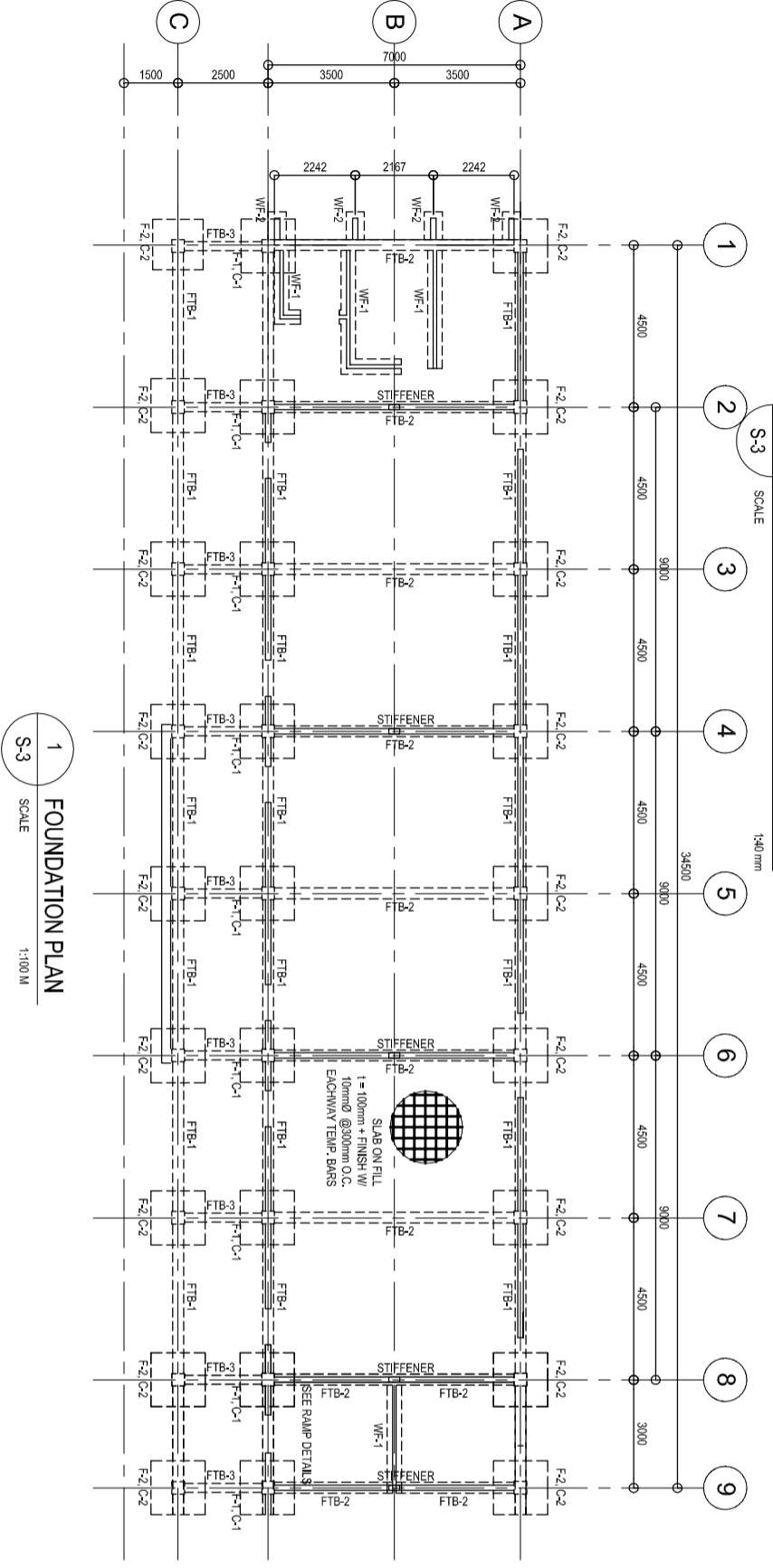
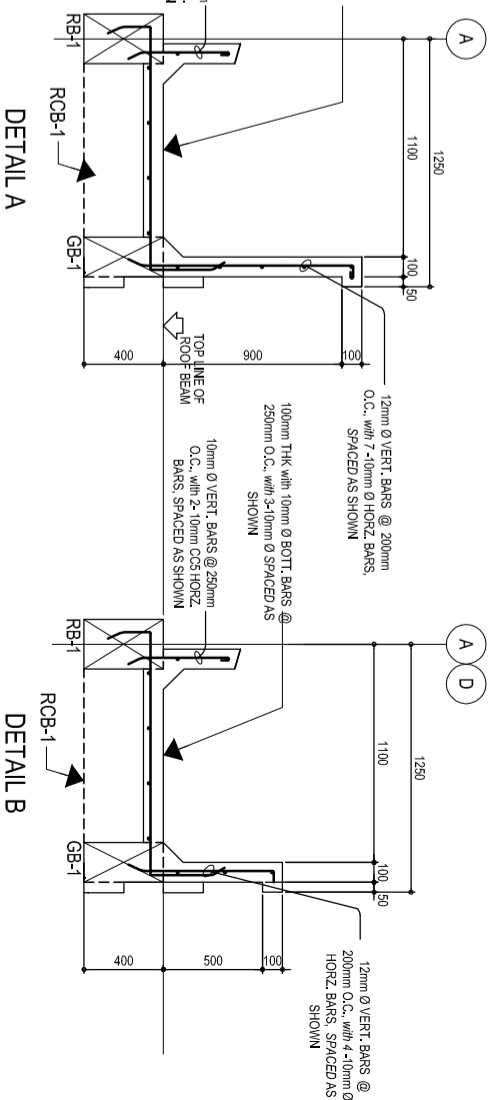
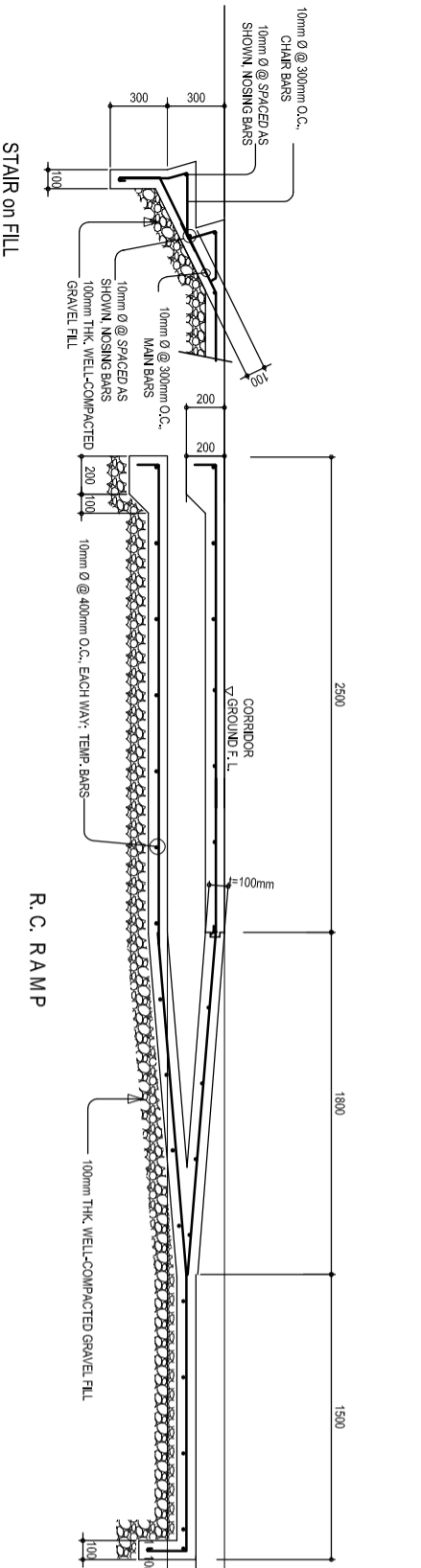
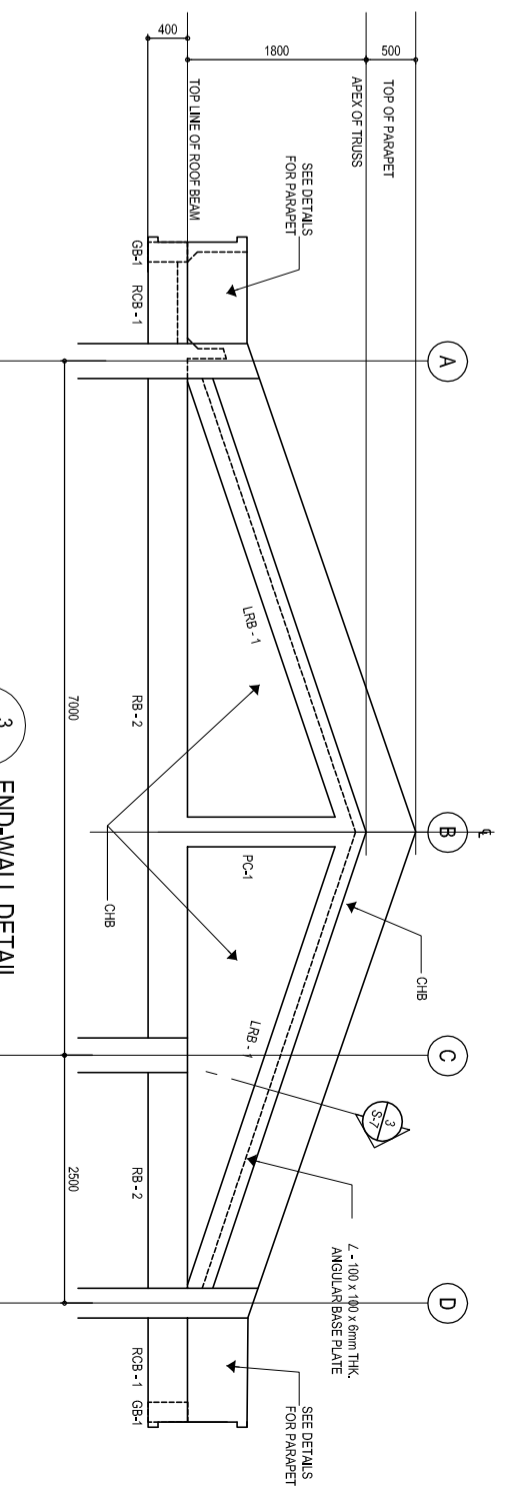
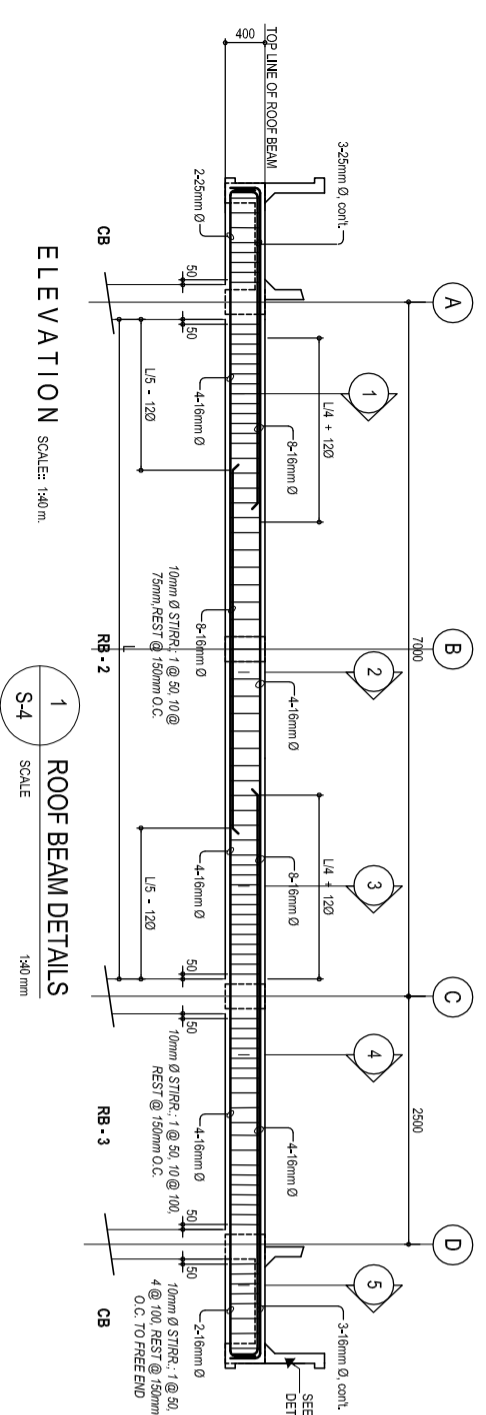
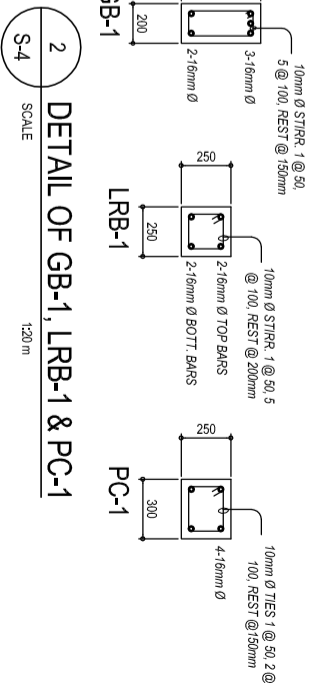
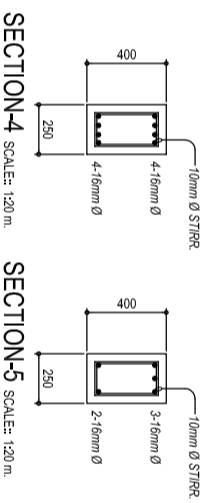
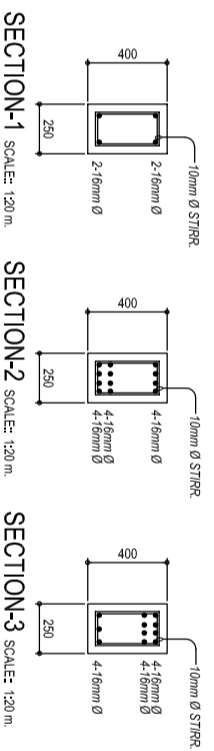
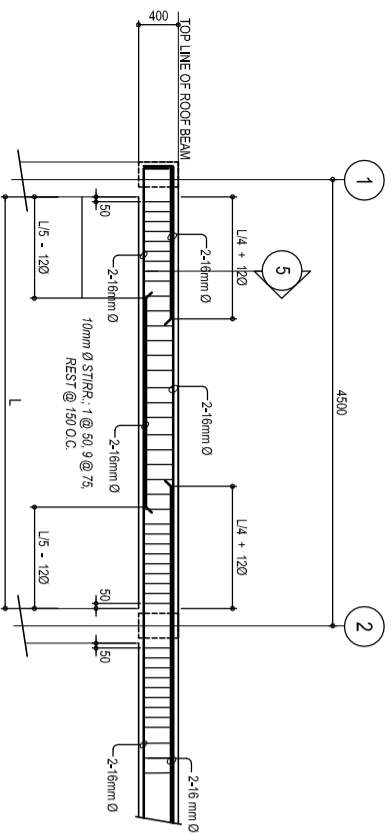


DRAWN BY : JUNEDSON P. CIELADO CAD OPERATOR EPD-DepEd	ENGINEER : WILFREDO B. ALARCON STRUCTURAL ENGINEER EPD-DepEd	RECOMMENDING APPROVAL : LUIS G. PLURISMA, JR. ASST. CHIEF, EPD-AS DepEd	RECOMMENDING APPROVAL : ANNABELLE ROBANAN CHIEF OFFICE OF THE CHIEF, EPD-AS	APPROVED BY : ALAIN DEL B. PASQUA UNDERSECRETARY FOR ADMINISTRATION	PROJECT TITLE : JOHNSON STANDARD DEPED ONE (1) STOREY THREE (3) CLASSROOM (WITH COMMON TOILETS @ ONE SIDE)	PROJECT CODE :	OWNER : DEPARTMENT OF EDUCATION DepEd	SHEET NO. : S-3 8
--	---	--	--	---	---	----------------	---	-------------------------





4 DETAIL SECTIONS OF STAIR ON FILL and R.C. RAMP
SCALE: 1:20 mm

5 DETAIL OF R.C. GUTTER
SCALE: 1:20 mm

 DEPARTMENT OF EDUCATION EDUCATION FACILITIES DIVISION MERRALCO AVENUE, PASIG CITY		DRAWN BY : JUNEDISON P. OJEDA CAD OPERATOR ED-DepEd	ENGINEER : WILFREDO B. ALARCON STRUCTURAL ENGINEER ED-DepEd	RECOMMENDING APPROVAL : LUIS G. ALARCON, JR. ASST. CHIEF, ED-AS DepEd	RECOMMENDING APPROVAL : ANNABELLE R. BAGAN CHIEF OFFICE OF THE CHIEF, ED-AS	APPROVED BY : ALAN DEL B. PASCUA UNDERSECRETARY FOR ADMINISTRATION	PROJECT TITLE : MODIFIED STANDARD DEPED SCHOOL THREE (3) CLASSROOM (WITH COMMON TOILETS @ ONE SIDE)	PROJECT CODE :	OWNER : DEPARTMENT OF EDUCATION DepEd	SHEET NO. : S-4
 DEPARTMENT OF EDUCATION EDUCATION FACILITIES DIVISION MERRALCO AVENUE, PASIG CITY		DRAWN BY : JUNEDISON P. OJEDA CAD OPERATOR ED-DepEd	ENGINEER : WILFREDO B. ALARCON STRUCTURAL ENGINEER ED-DepEd	RECOMMENDING APPROVAL : LUIS G. ALARCON, JR. ASST. CHIEF, ED-AS DepEd	RECOMMENDING APPROVAL : ANNABELLE R. BAGAN CHIEF OFFICE OF THE CHIEF, ED-AS	APPROVED BY : ALAN DEL B. PASCUA UNDERSECRETARY FOR ADMINISTRATION	PROJECT TITLE : MODIFIED STANDARD DEPED SCHOOL THREE (3) CLASSROOM (WITH COMMON TOILETS @ ONE SIDE)	PROJECT CODE :	OWNER : DEPARTMENT OF EDUCATION DepEd	SHEET NO. : S-4