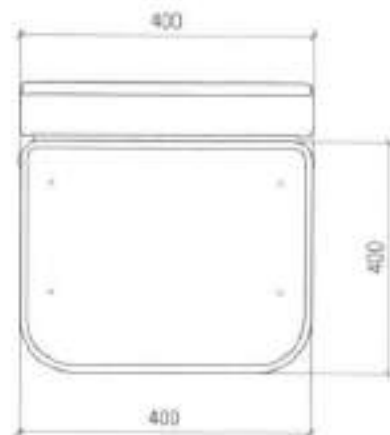


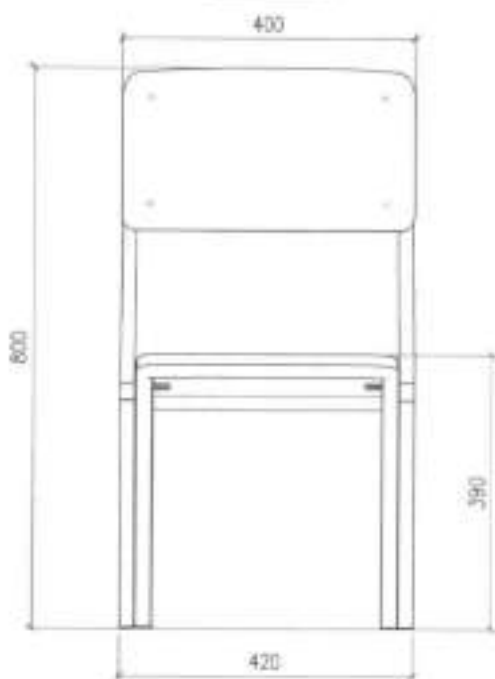
E-BAMBOO & STEEL
 ISOMETRIC VIEW OF LEARNER'S CHAIR
 SCALE 1:1

1 TECHNICAL SPECIFICATIONS OF LEARNER'S CHAIR		
MARK	COMPONENT	SPECIFICATIONS
A	SEAT	15mm THK E-BAMBOO TOP BOARD WITH ROUND CORNERS & EDGES
B	BACKREST	
C	BACK SUPPORT	B: PIPE TUBE 1.0mm x 22mm
D	SEAT SUPPORT	B: PIPE TUBE 1.0mm x 19mm
E	BACK LEG	B: PIPE TUBE 1.0mm x 22mm
F	FRONT LEG	B: PIPE TUBE 1.0mm x 22mm
G	LOWER SEAT SUPPORT	SQUARE TUBE 1.0mm x 19mm x 19mm
H	COVER CAP	PLASTIC GLIDE
	CONNECTION	BACKREST / SEAT TO STEEL - 1mm THK 25mmx30mm FLAT BAR & #12 (5.49mm) CARRIAGE BOLT
		STEEL TO STEEL - FULL WELDING
SCHEDULE OF FINISHES		
BACKREST / SEAT	3 COATS OF VARNISH (SPRAY APPLICATION); SURFACE SHOULD BE EVEN & SMOOTH	
STEEL	80-80 MICRON POWDER COAT FINISH, BLACK	
DIMENSIONS OF LEARNER'S CHAIR (mm)		
COMPONENT	DIMENSIONS	
	ELEMENTARY	SECONDARY
SEAT HEIGHT	390	410
SEAT DEPTH	400	400
SEAT WIDTH	400	400
BACKREST HEIGHT	800	800
BACKREST WIDTH	400	400

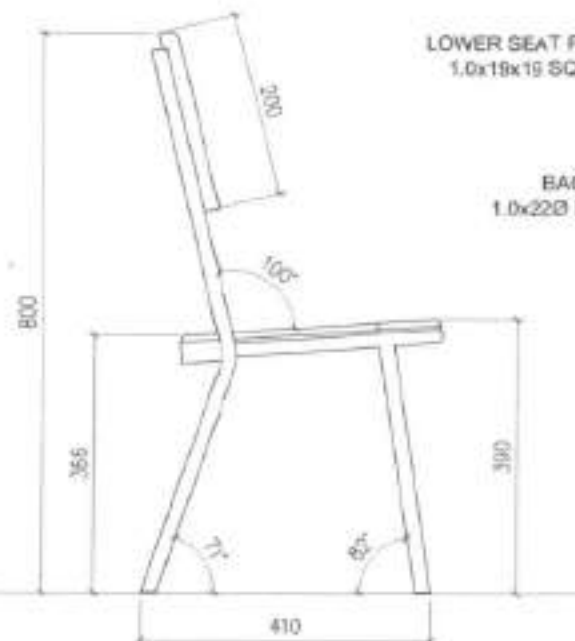
LEARNER'S CHAIR – ELEMENTARY



TOP VIEW



FRONT VIEW



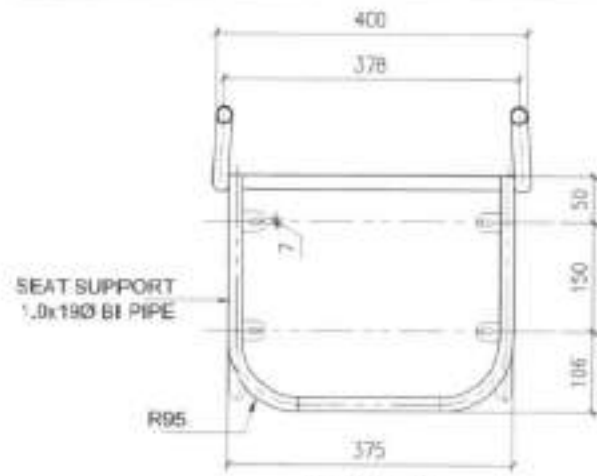
SIDE VIEW



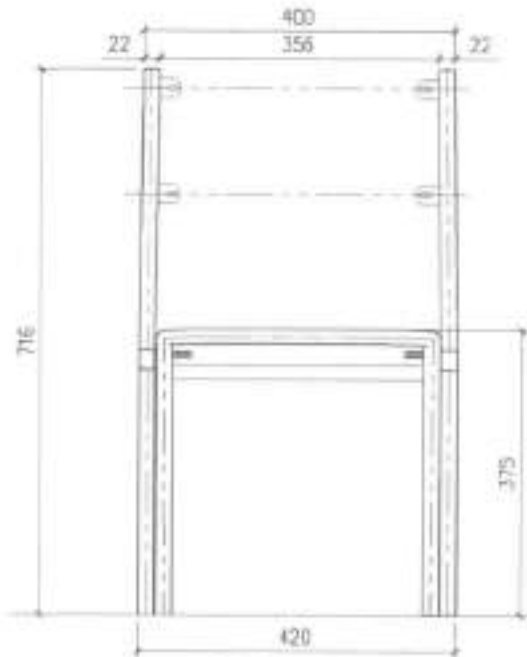
PERSPECTIVE VIEW

 <p>DepED DEPARTMENT OF EDUCATION BULACAN PROVINCE, CALABARZON REPUBLIC OF THE PHILIPPINES</p>	<p>DESIGNED BY</p>  <p>DR. JET MARINO S. MARINO M.Sc. Ed.</p>	<p>TECHNOLOGICAL PARTNER</p>  <p>DR. JET MARINO S. MARINO M.Sc. Ed.</p>	<p>APPROVED BY</p>  <p>ALVIN S. S. S. S. S. M.Sc. Ed.</p>	<p>PROJECT TITLE</p> <p>LEARNER'S CHAIR (E-BAMBOO & STEEL)</p> <p>27-2023</p>	<p>SHEET NUMBER</p> <p>TOP, FRONT, SIDE & PERSPECTIVE VIEWS</p>	<p>SHEET NO.</p> <p>2 5</p>
--	--	---	--	--	---	---------------------------------

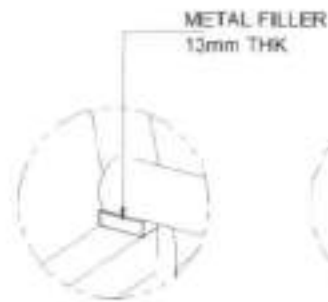
LEARNER'S CHAIR - ELEMENTARY



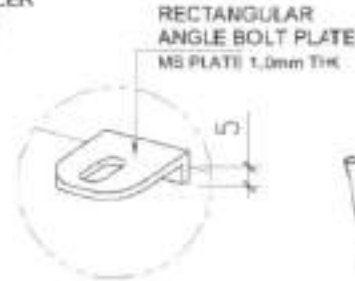
TOP VIEW



FRONT VIEW



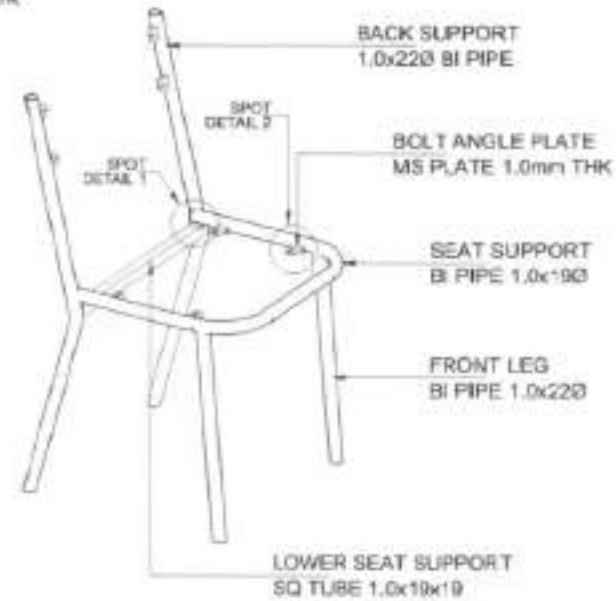
SPOT DETAIL 1



SPOT DETAIL 2



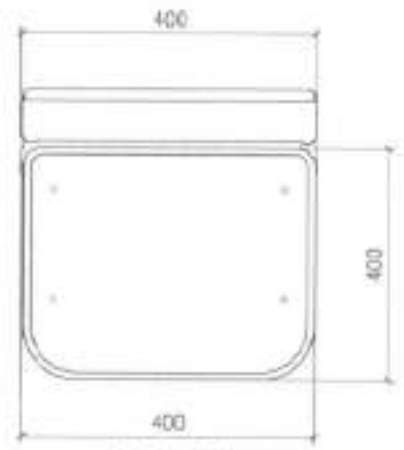
SIDE VIEW



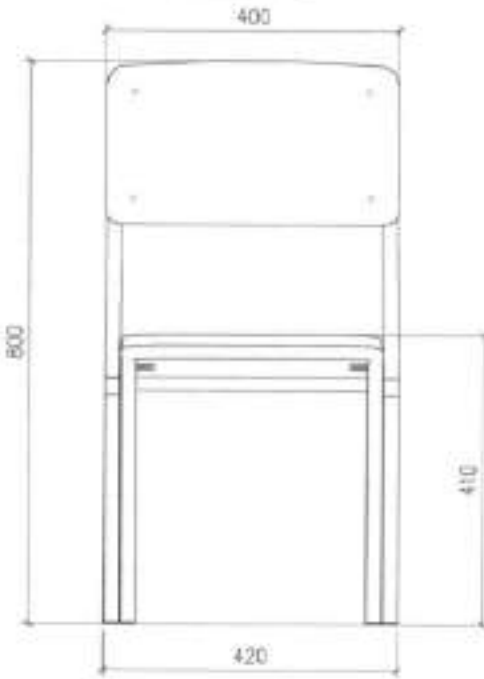
STEEL FRAMING PERSPECTIVE VIEW

<p>DEPARTMENT OF EDUCATION DepED DIVISION OFFICE - CALABAR REGIONAL CENTER FOR TECHNICAL EDUCATION MARINA DRIVE, CALABAR CITY</p>	<p>DESIGNED BY</p> <p>J.T. RAMOS E-LEARNER</p>	<p>REVISIONS APPROVAL</p> <p>EDNA ANABELLE PANGAN DEP - CALABAR TECHNICAL OFFICE</p>	<p>APPROVED BY</p> <p>ALAN M. N. NICA INCHARGE/TECHNICAL SUPERVISOR</p>	<p>PROJECT TITLE</p> <p>LEARNER'S CHAIR (E-BAMBOO & STEEL)</p>	<p>SHEET NUMBER</p> <p>TOP FRONT & SIDE VIEW OF STEEL FRAMING PERSPECTIVE VIEW OF STEEL FRAMING</p>	<p>SHEET NO.</p> <p>3</p> <p>5</p>
---	--	--	---	--	---	------------------------------------

LEARNER'S CHAIR – SECONDARY



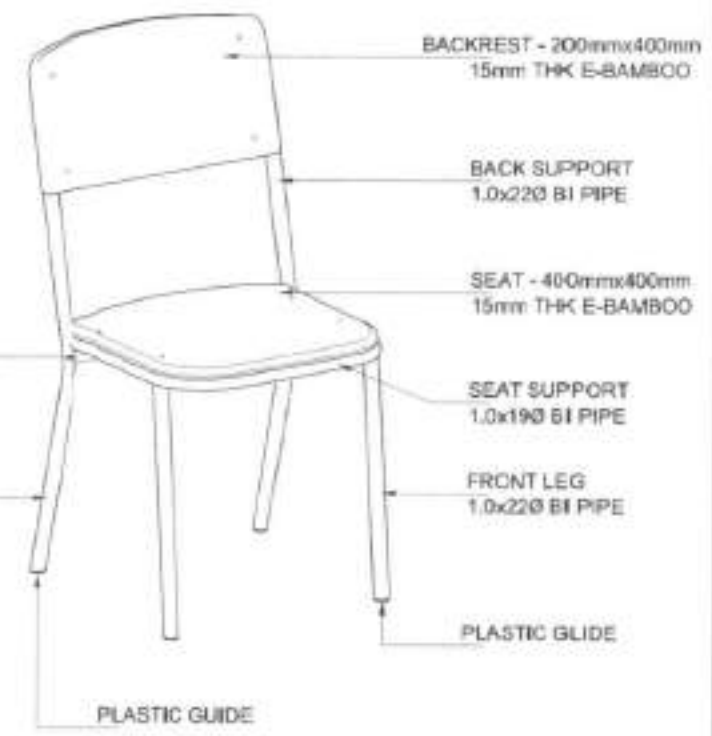
TOP VIEW



FRONT VIEW



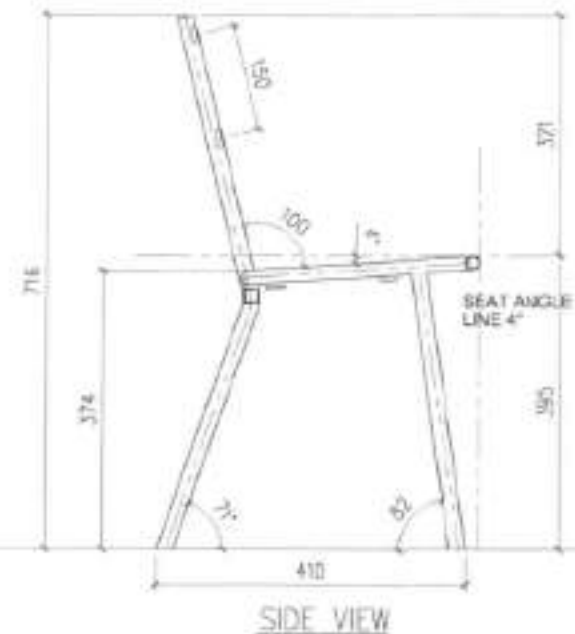
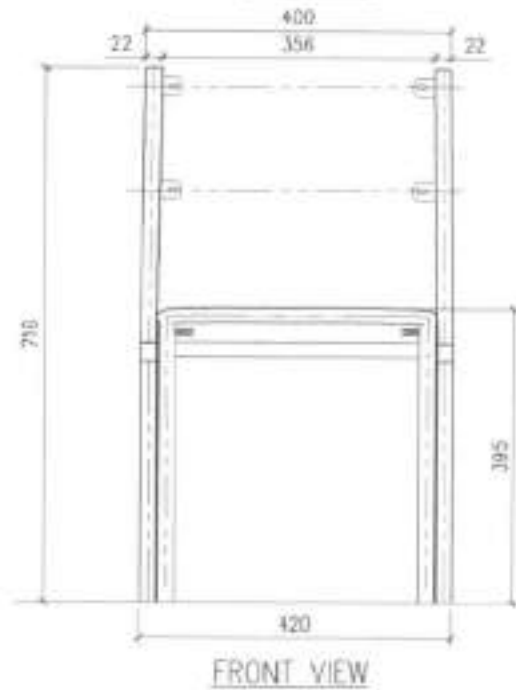
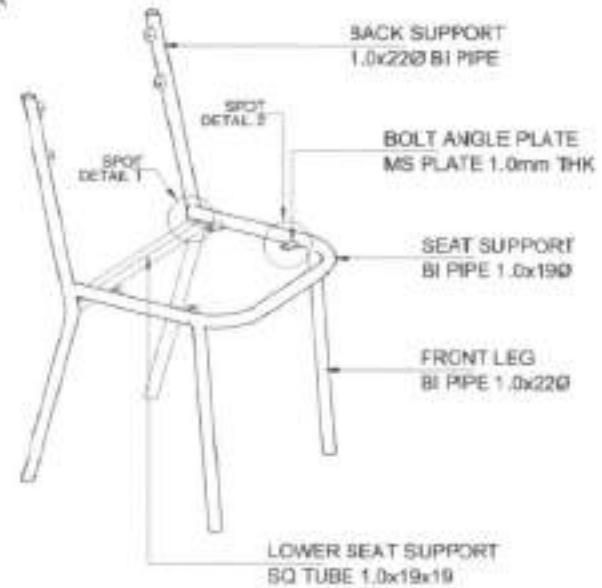
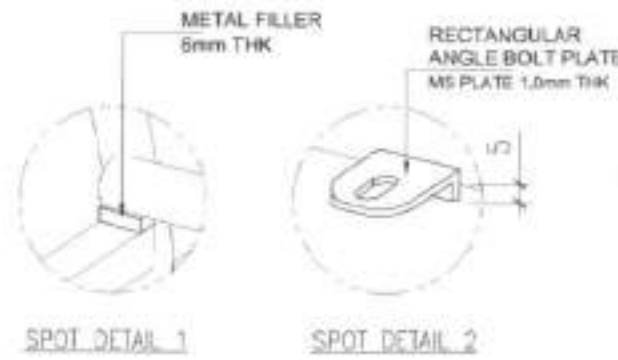
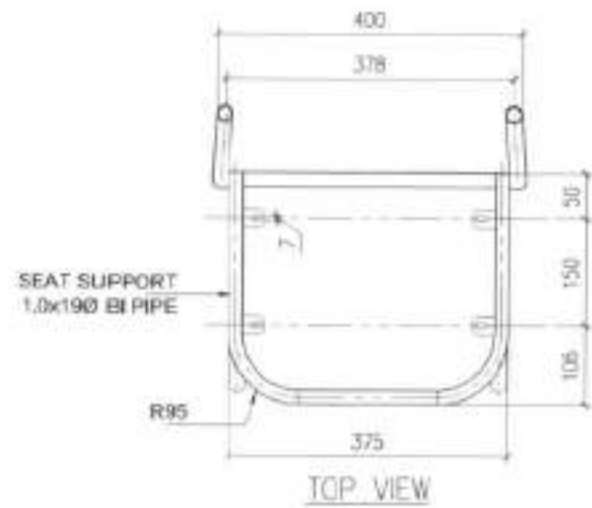
SIDE VIEW



PERSPECTIVE VIEW

<p>DEPARTMENT OF EDUCATION DIVISION OFFICE - CALABARZON OFFICE OF THE SUPERVISOR SCHOOL DIVISION OFFICE - CALABARZON</p>	<p>DESIGNED BY <i>[Signature]</i> JIT ESPINOZA - ALMADO</p>	<p>DESIGNED BY <i>[Signature]</i> DAN AMOROSO - FAYON</p>	<p>APPROVED BY <i>[Signature]</i> MARK DEL R. PASCO SUPERVISOR OF ARCHITECTURE</p>	<p>PROJECT TITLE LEARNER'S CHAIR (E-BAMBOO & STEEL)</p>	<p>DATE DRAWN TOP, FRONT, SIDE & PERSPECTIVE VIEW</p>	<p>SHEET NO. 4 5</p>
--	---	---	--	--	---	------------------------------

LEARNER'S CHAIR – SECONDARY

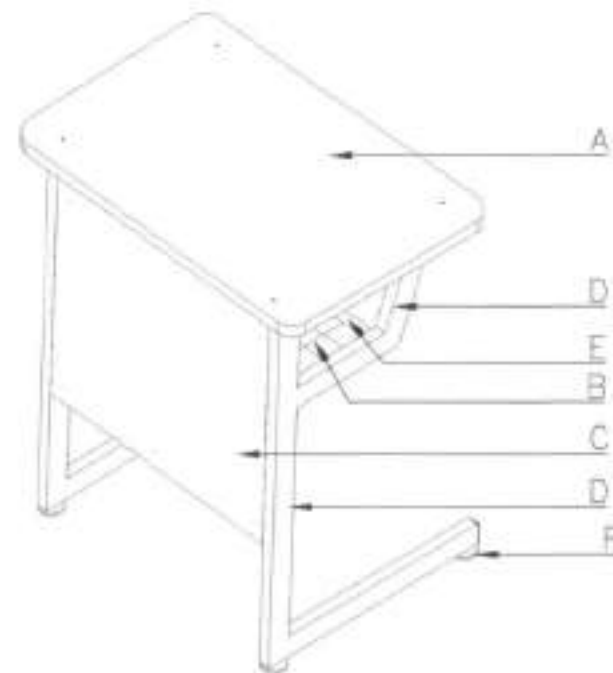


<p>DEPARTMENT OF EDUCATION DIVISION OFFICE - CALABARZON</p>	<p>DESIGNED BY:</p> <p>DESIGNED BY</p>	<p>REVISIONS/REVISED:</p> <p>DESIGNED BY</p>	<p>APPROVED BY:</p> <p>APPROVED BY</p>	<p>PROJECT FILE:</p> <p>LEARNER'S CHAIR (E-BAMBOO & STEEL)</p>	<p>SHEET NUMBER:</p> <p>REF: FRONT & SIDE VIEWS OF STEEL FRAMING PERSPECTIVE VIEW OF STEEL FRAMING</p>	<p>SHEET NO:</p> <p>5</p>
---	--	--	--	--	--	---------------------------

1	TECHNICAL SPECIFICATIONS OF LEARNER'S TABLE	
MARK	COMPONENTS	SPECIFICATIONS
A	TABLE TOP	15mm THK E-BAMBOO 10P BOARD WITH ROUND CORNERS & EDGES
B	SHELF	METAL WIRE MESH 4MMTHX50X50
C	FRONT COVER	6MM THK FRONT COVER (1 SIDE 1.0MM THK HIGH PRESSURE LAMINATE / 1 SIDE VARNISH FINISHES ON MARINE PLYWOOD)
D	MAIN FRAME	1.0MMTHX20MMX40MM STEEL TUBULAR
E	SECONDARY FRAME	1.0MMTHX20MMX20MM STEEL TUBULAR
F	ADJUSTABLE LEVELER	6MM# THREAD WITH 38MM# PLASTIC BASE
	CONNECTOR/FLAT BAR	1MMTHX25MMX50MM STEEL FLAT BAR (TABLE TOP:4PCS;SCREW)
	CONNECTION	E-BAMBOO TO STEEL: SCREW: MSX13MM LENGTH SCREW; RIVETS: BUND RIVET STEEL TO STEEL: FULL WELDING FOR TUBULAR TO FLAT BAR/CONNECTION STEEL TO STEEL (KNOCKDOWN): BOLT AND NUT FOR STEEL TUBULAR KD DESIGN IS FOR BIDDER TO PROPOSE

2	SCHEDULE OF FINISHES	
TOP BOARD	3 COATS OF VARNISH (SPRAY APPLICATION); SURFACE SHOULD BE EVEN & SMOOTH	
FRONT COVER	1 SIDE 1.0MM THK HIGH PRESSURE LAMINATE /1 SIDE VARNISH FINISHES ON MARINE PLYWOOD)	
METAL/STEEL TUBULAR	60-80 MICRON POWDER COAT FINISH FLAT BLACK FINISH	

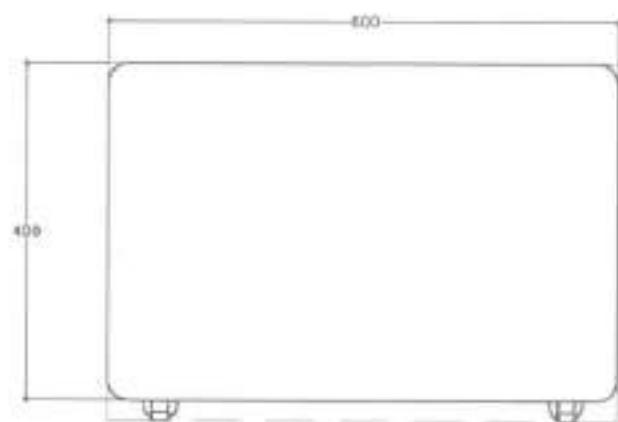
3	DIMENSIONS OF LEARNER'S TABLE (mm)		
MARK	COMPONENTS	DIMENSIONS	
		ELEMENTARY	SECONDARY
a	TABLE HEIGHT	670 (+10)	710 (+10)
b	TABLE LENGTH	600	600
c	TABLE WIDTH	400	400



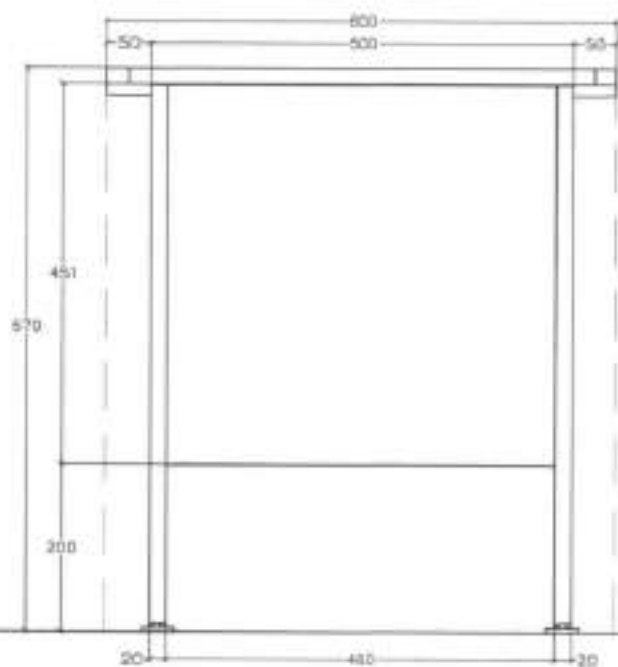
ISOMETRIC VIEW OF LEARNER'S TABLE

	 JITENDRA K. JAISWAL	 DR. ANJALI'S PUROHIT	 ANIL K. S. DATTA	 ANIL K. S. DATTA	LEARNER'S TABLE (E-BAMBOO & STEEL)	TECHNICAL SPECIFICATION SCHEDULE OF FINISHES DIMENSIONS ISOMETRIC VIEW	1 3
		DCE, DURGAM CHERUVU ENGINEERING COLLEGE, HYDRABAD	DCE, DURGAM CHERUVU ENGINEERING COLLEGE, HYDRABAD	DCE, DURGAM CHERUVU ENGINEERING COLLEGE, HYDRABAD	DCE, DURGAM CHERUVU ENGINEERING COLLEGE, HYDRABAD	CY 2021	

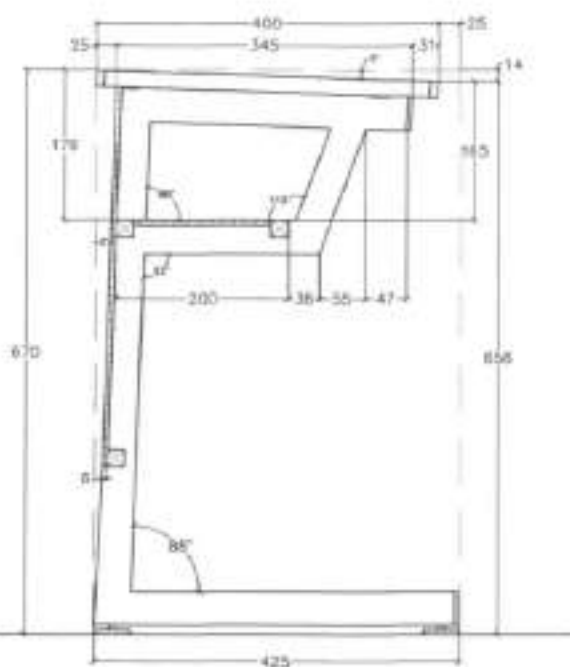
DEPED ELEMENTARY SINGLE LEARNER'S TABLE (E-BAMBOO & STEEL)



TOP VIEW



FRONT VIEW



SIDE SECTION VIEW

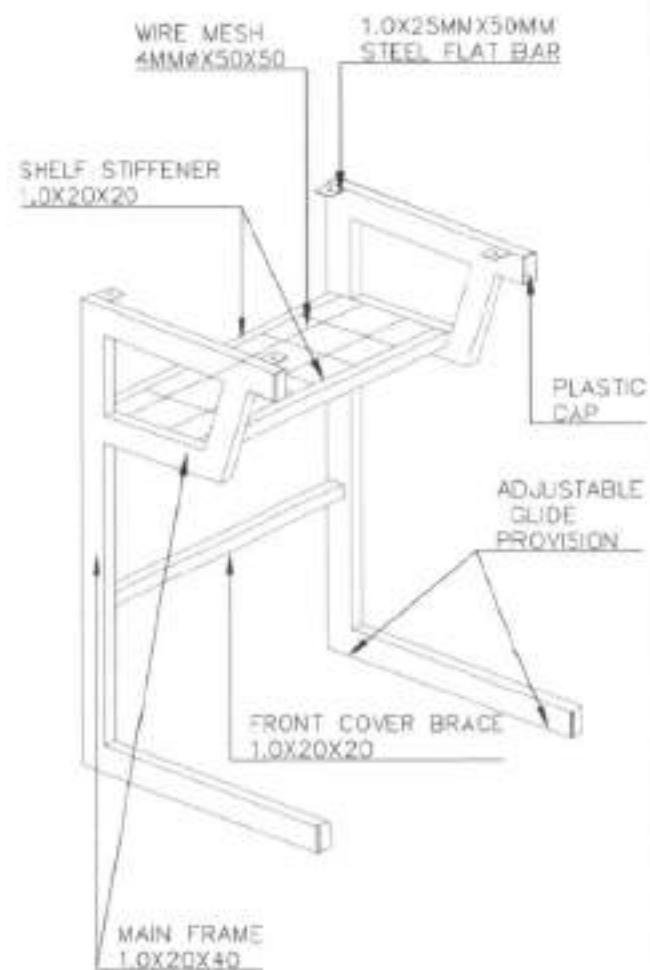
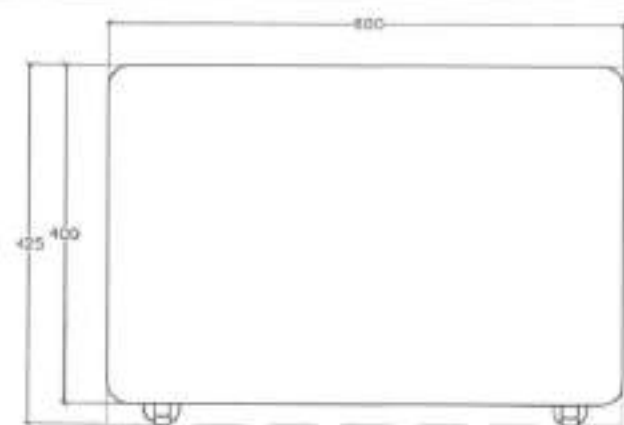


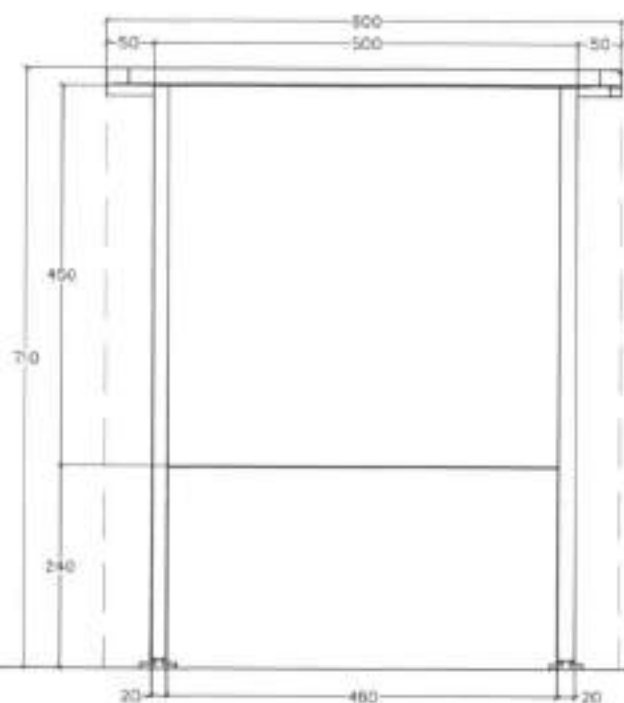
TABLE FRAMING
PERSPECTIVE VIEW

<p>DEPED DEPARTMENT OF EDUCATION BUREAU OF ELEMENTARY EDUCATION BUREAU OF TECHNICAL EDUCATION</p>	<p>DESIGNED BY: <i>[Signature]</i> JC SERRANO E-LABRDO INVEST</p>	<p>REVISIONS APPROVAL: <i>[Signature]</i> DR. ABRAHAM S. PANGAS OIC - SCHOOL FACILITIES DIVISION</p>	<p>APPROVED BY: <i>[Signature]</i> ALAN D. DELA ROSA SECRETARY FOR ADMINISTRATION</p>	<p>PROJECT TITLE: LEARNER'S TABLE (E-BAMBOO & STEEL)</p>	<p>SHEET NUMBER: TOP VIEW FRONT VIEW SIDE SECTION VIEW FRAMING PERSPECTIVE VIEW</p>	<p>SHEET NO: 2 3</p>
---	---	--	---	---	---	------------------------------

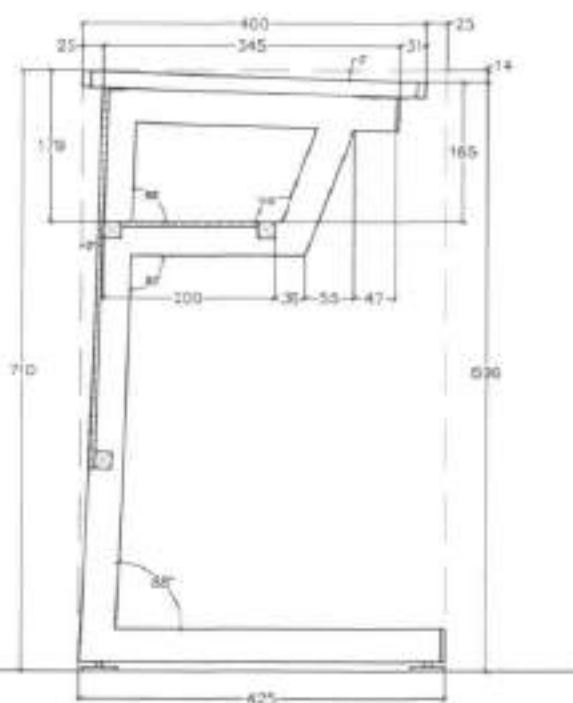
DEPED SECONDARY SINGLE LEARNER'S TABLE
(E-BAMBOO & STEEL)



TOP VIEW



FRONT VIEW



SIDE SECTION VIEW

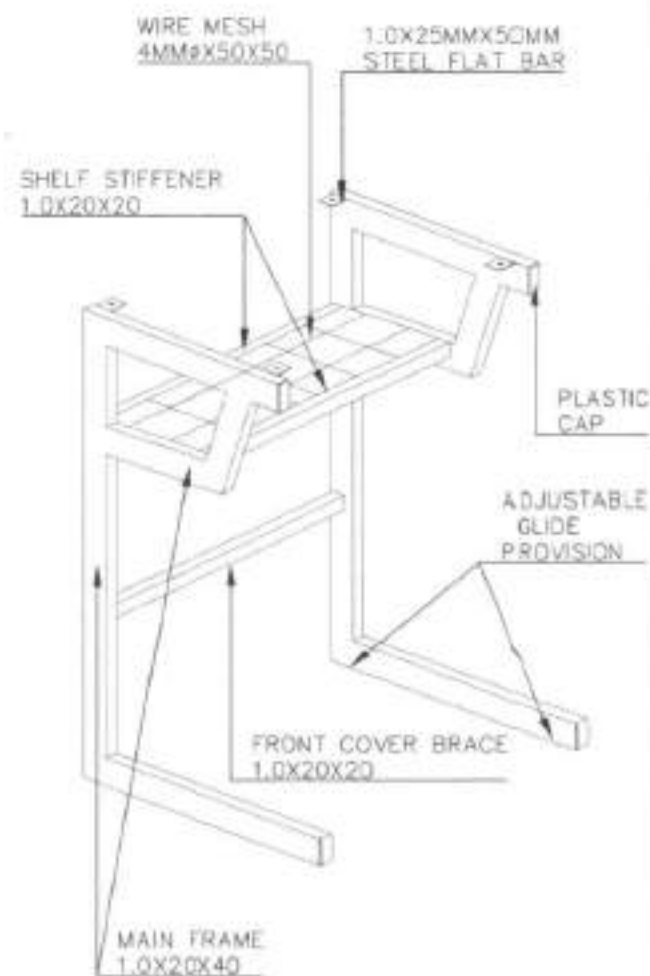


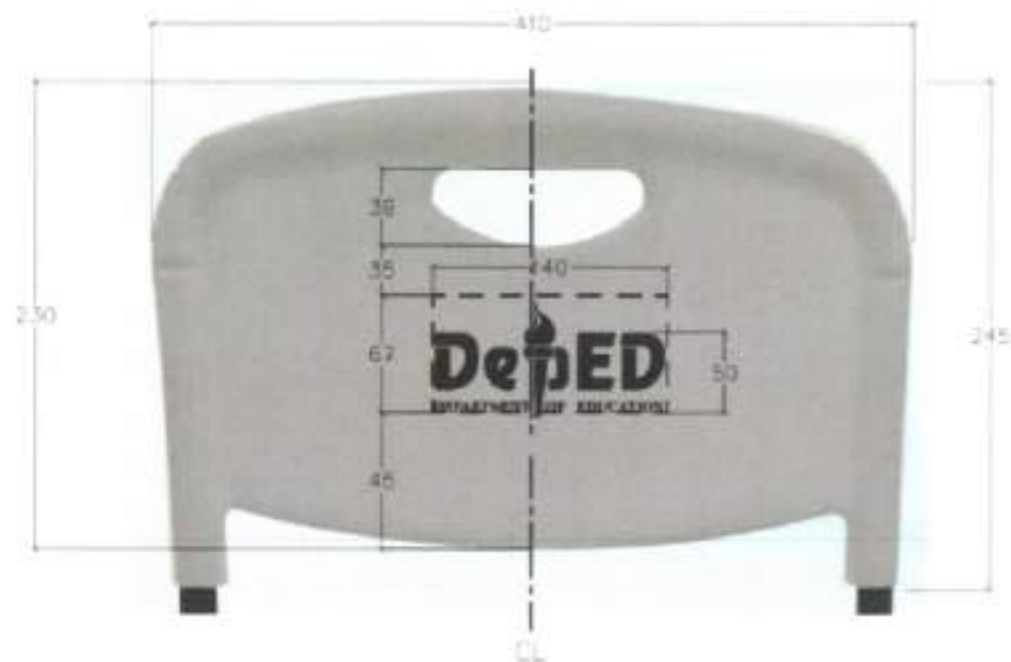


TABLE FRAMING
PERSPECTIVE VIEW

	DESIGNED BY:  JC ESPINO & ASSOCIATES ARCHITECTS	RECOMMENDING OFFICIAL:  ENGR. MICHELLE S. PINEDA SHE - DESIGN OFFICE MANILA	APPROVED BY:  MAR. B. PINEDA SUPERVISOR FOR ADMINISTRATION	PROJECT TITLE: LEARNER'S TABLE (E-BAMBOO & STEEL)	SHEET CONTENTS: TOP VIEW FRONT VIEW SIDE SECTION VIEW FRAMING PERSPECTIVE VIEW	SHEET NO. 3 3
---	---	--	--	---	--	---------------------

DEPED LOGO SPECIFICATIONS FOR ALL LEARNER AND TEACHER'S CHAIR



HDPE BACK DEPED LOGO DETAIL



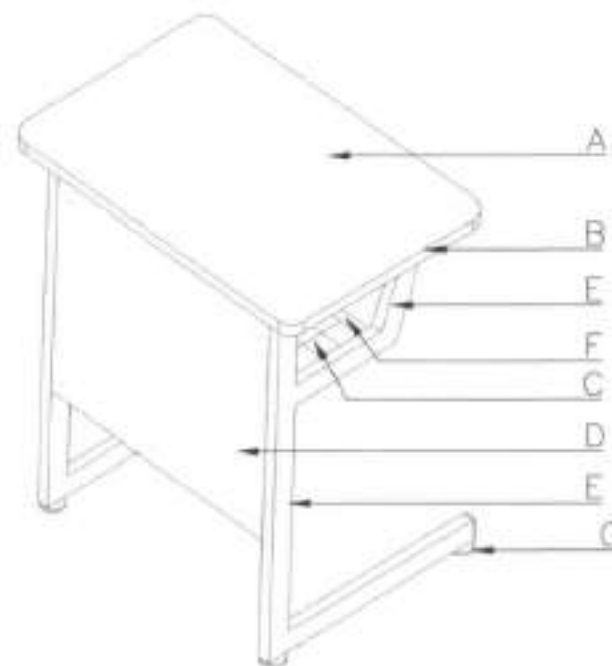
PERSPECTIVE VIEW

SPECIFICATIONS:

1. MATERIAL: BLOW MOLDED HDPE.
 2. MARKINGS: MINIMUM OF 0.8MM DEPTH EMBOSSED / MOLDED OFFICIAL "DepEd LOGO" WITH THE INSCRIPTION "DEPARTMENT OF EDUCATION" AS PER DRAWING.
 3. COLOR CODE: PANTONE 4665C OR COLOR HEX: #cda788 / RGB: 205, 167, 136 / CMYK: 0%, 19%, 34%, 20%
 4. DEPED LOGO COLOR IS THE SAME AS BACKREST COLOR CODE.
- NOTE: BLACK COLOR OF LOGO SHOWN IS FOR ILLUSTRATION ONLY.

 DEPARTMENT OF EDUCATION DIVISION OFFICE - CALABARZON CALABARZON REGIONAL CENTER BACOLOD CITY	DESIGNED BY:  JIT RUBIO E-LASO DESIGNER	RECOMMENDED APPROVAL:  ENGR. MARCELINO TUONG CHIEF - DESIGN / POLY TECH	APPROVED BY:  STAR U. TACAS MANUFACTURING SUPERVISOR	PROJECT TITLE: LEARNER & TEACHER'S CHAIR - HDPE BACK DEPED LOGO DETAIL (HDPE & STEEL)	SHEET NUMBER: HDPE BACK DEPED LOGO DETAIL PERSPECTIVE VIEW SPECIFICATIONS	SHEET NO: 1 1
--	---	---	--	--	--	---------------------

1 TECHNICAL SPECIFICATIONS OF LEARNER'S TABLE		
MARK	COMPONENTS	SPECIFICATIONS
A	TABLE TOP	18MM THK TOP BOARD ROUND CORNERS (1 SIDE 1.0MM THK HIGH PRESSURE LAMINATE / 1 SIDE VARNISH FINISHES ON MARINE PLYWOOD)
B	EDGING	1.0 MM THK PVC EDGING, ALL EDGES OF TABLE TOP
C	SHIELD	METAL WIRE MESH 4MMTHX50X20
D	FRONT COVER	6MM THK FRONT COVER (1 SIDE 1.0MM THK HIGH PRESSURE LAMINATE / 1 SIDE VARNISH FINISHES ON MARINE PLYWOOD)
E	MAIN FRAME	1.0MMTHX20MMX46MM STEEL TUBULAR
F	SECONDARY FRAME	1.0MMTHX20MMX20MM STEEL TUBULAR
G	ADJUSTABLE LEVELER	6MM# THREAD WITH 38MM# PLASTIC BASE
	CONNECTOR/FLAT BAR	1MMTHX25MMX30MM STEEL FLAT BAR (TABLE TOP: 4PCS, SCREW)
	CONNECTION	WOOD TO STEEL: SCREW #5X12MM LENGTH SCREW; RIVETS: BLIND RIVET. STEEL TO STEEL: FULL WELDING FOR TUBULAR TO FLAT BAR/CONNECTION STEEL TO STEEL (KNOCKDOWN): BOLT AND NUT FOR STEEL TUBULAR NO DESIGN IS FOR BIDDER TO PROPOSE



1 ISOMETRIC VIEW OF LEARNER'S TABLE
SCALE 1:1

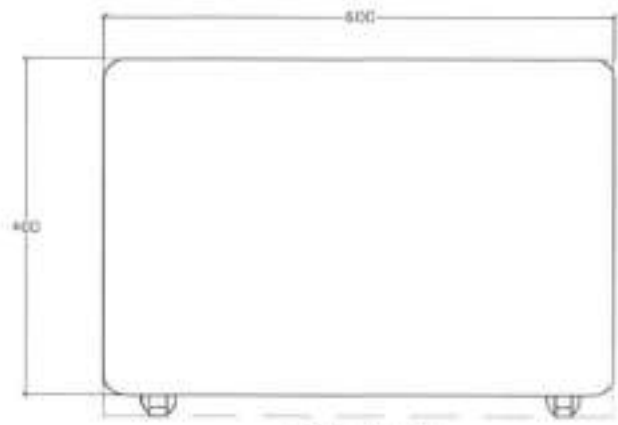
2a SCHEDULE OF FINISHES	
TOP BOARD	1 SIDE 1.0MM THK HIGH PRESSURE LAMINATE / 1 SIDE VARNISH FINISHES ON MARINE PLYWOOD
EDGING	1.0 MM THK PVC EDGING, ALL EDGES OF TABLE TOP
FRONT COVER	1 SIDE 1.0MM THK HIGH PRESSURE LAMINATE / 1 SIDE VARNISH FINISHES ON MARINE PLYWOOD
METAL/STEEL TUBULAR	80-80 MICRON POWDER COAT FINISH FLAT BLACK FINISH
LAMINATE COLOR	PANTONE 729C OR COLOR HEX #6a7c45 / RGB 186, 124, 69 / CMYK C% 33% B% 27% W% WITH WOOD GRAIN (SERANG BEECH OR EQUIVALENT)

3 DIMENSIONS OF LEARNER'S TABLE(mm)			
MARK	COMPONENTS	DIMENSIONS	
		ELEMENTARY	SECONDARY
d	TABLE HEIGHT	675 (+10)	710 (+10)
b	TABLE LENGTH	800	800
c	TABLE WIDTH	400	400

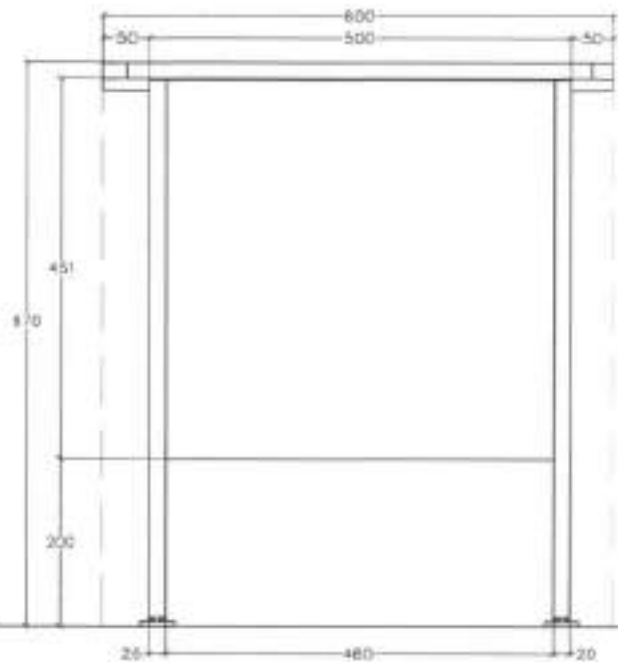
2b EDGING - APPLICATION	
1	MACHINE APPLICATION OF GLUE TO TABLE TOP EDGES
2	MACHINE APPLICATION OF PVC EDGING TO TABLE TOP EDGES

	DESIGNER: DR. NARVES F. NARVES INVENTOR	SUPERVISOR (PROJ.): DR. MARCELINO R. NARVES CHEF - DESIGN TABLES DESK	APPROVER (P): NARVES F. NARVES SUPERVISOR OF ACTIVITIES	PROJECT TITLE: LEARNER'S TABLE (WOOD & STEEL)	SHEET CONTENT: TECHNICAL SPECIFICATION SCHEDULE OF FINISHES EDGING APPLICATION DIMENSIONS ISOMETRIC VIEW	SHEET NO. 1 3
	OF 201					

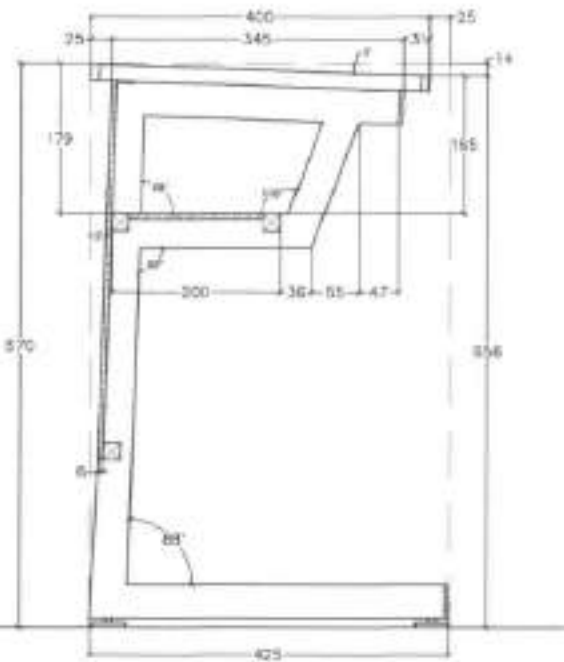
DEPED ELEMENTARY SINGLE LEARNER'S TABLE



TOP VIEW



FRONT VIEW



SIDE SECTION VIEW

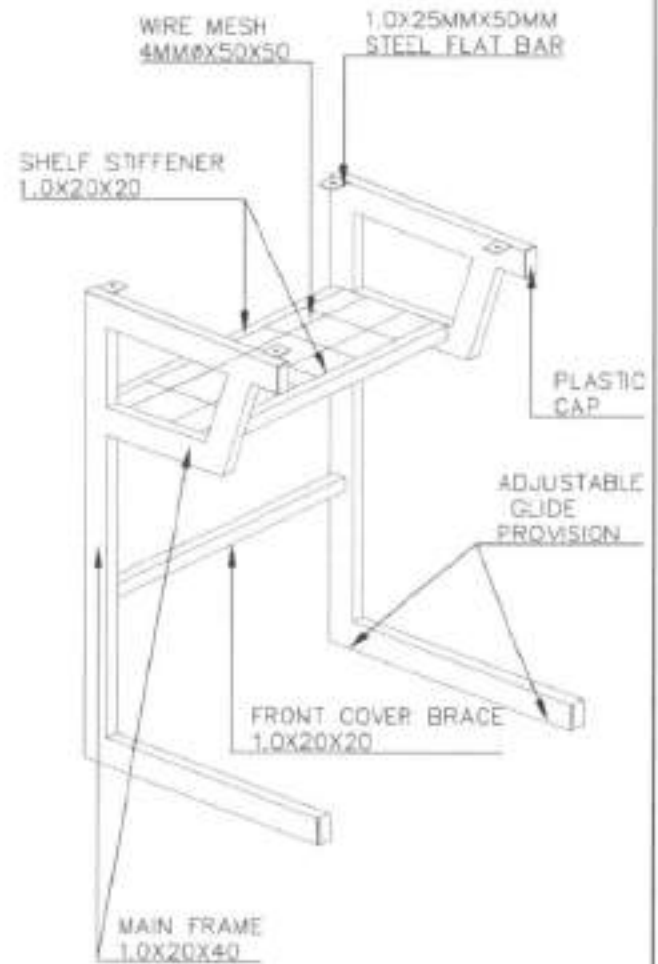
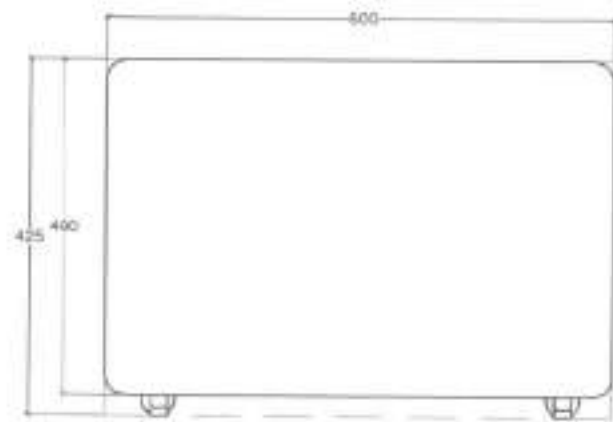


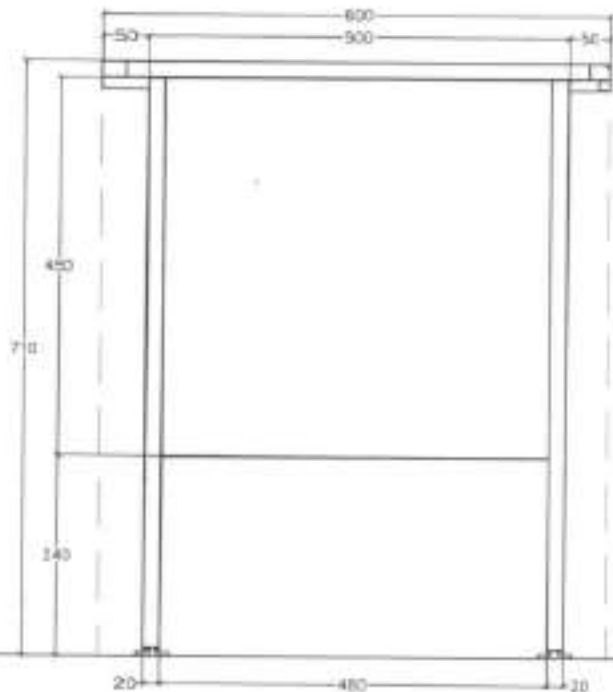
TABLE FRAMING
PERSPECTIVE VIEW

<p>DEPED DIVISION OFFICE - MARIKINA CITY</p>	<p>DESIGNED BY: <i>[Signature]</i> JIT MARINO S. ALABADO ARCHITECT</p>	<p>REVISIONS APPROVAL: <i>[Signature]</i> ENGR. MARIELLE R. FAJON CER - DESIGN REVIEW ENGINEER</p>	<p>APPROVED BY: <i>[Signature]</i> ALAN D. B. TOSON SUPERVISOR FOR ARCHITECTURE</p>	<p>PROJECT TITLE: LEARNER'S TABLE (WOOD & STEEL)</p> <p>DATE: 07/2021</p>	<p>VIEW NUMBER: TOP VIEW FRONT VIEW SIDE SECTION VIEW FRAMING PERSPECTIVE VIEW</p>	<p>SHEET NO: 2 3</p>
--	--	--	---	--	--	------------------------------

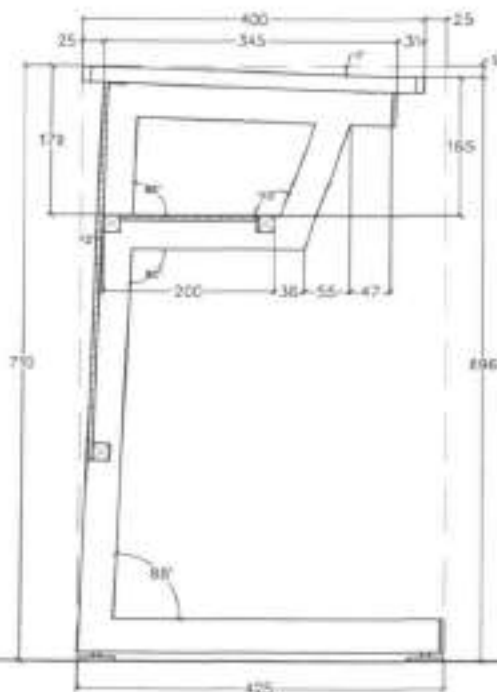
DEPED SECONDARY SINGLE LEARNER'S TABLE



TOP VIEW



FRONT VIEW



SIDE SECTION VIEW

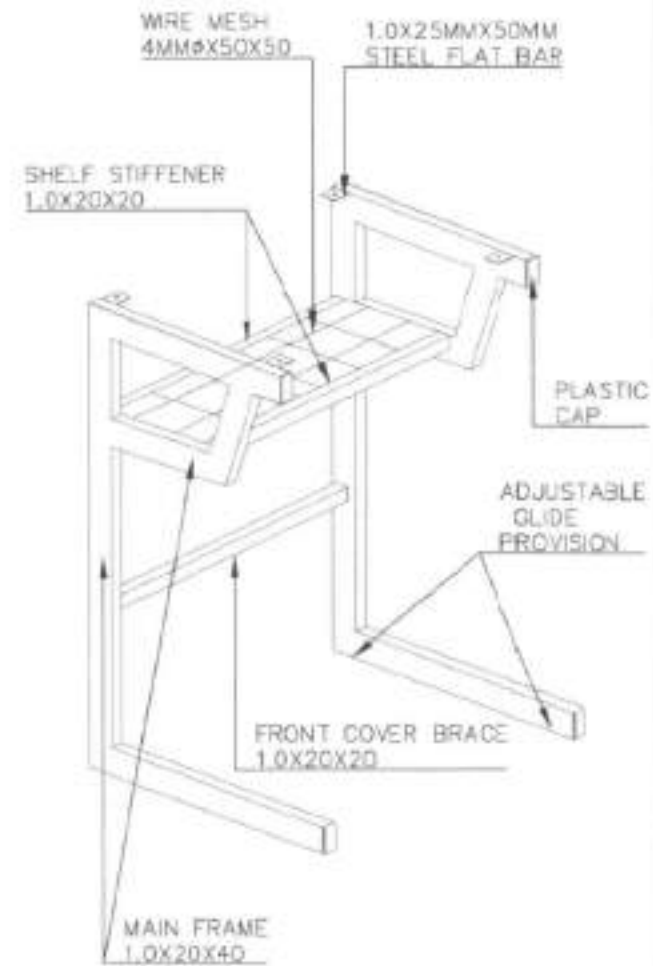

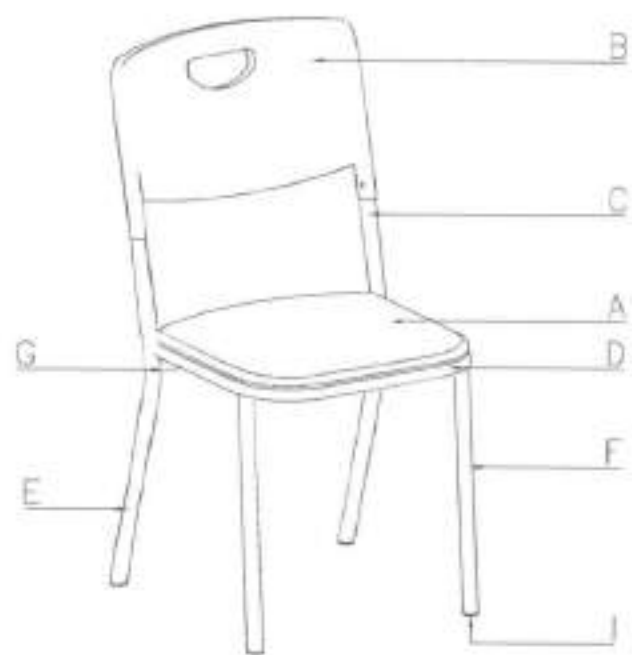


TABLE FRAMING PERSPECTIVE VIEW

 <p>DEPED Department of Education Technical Education and Skills Development</p>	<p>DESIGNED BY: <i>[Signature]</i> JET RIVERO D'AMARO ARCHITECT</p>	<p>RECOMMENDING OFFICIAL: <i>[Signature]</i> ENR. ANABELLE S. RAGAN SHEPHERD - DESIGN POLICE DESIGN</p>	<p>APPROVED BY: <i>[Signature]</i> LAD D. S. PULLEN SUPERVISOR OF ARCHITECTURE</p>	<p>PROJECT TITLE: LEARNER'S TABLE (WOOD & STEEL)</p>	<p>SHEET CONTENT: TOP VIEW FRONT VIEW SIDE SECTION VIEW FRAMING PERSPECTIVE VIEW</p>	<p>SHEET NO: 3 3</p>
---	---	---	--	---	--	------------------------------



ISOMETRIC VIEW OF TEACHER'S CHAIR
SCALE

1 TECHNICAL SPECIFICATIONS OF TEACHER'S CHAIR		
MARK	COMPONENTS	SPECIFICATIONS
A	SEAT	BLOW MOLDED PLASTIC HIGH-DENSITY POLYETHYLENE (HDPE)
B	BACK	BLOW MOLDED PLASTIC HIGH-DENSITY POLYETHYLENE (HDPE)
C	BACK SUPPORT	BI PIPE TUBE 1.0MMX22MM
D	SEAT SUPPORT	BI PIPE TUBE 1.0MMX19MM
E	BACK LEG	BI PIPE TUBE 1.0MMX22MM
F	FRONT LEG	BI PIPE TUBE 1.0MMX22MM
G	LOWER SEAT SUPPORT	SQ. TUBE 1.0MMX19MMX19MM
I	COVER CAP	PLASTIC GLIDE
	HDPE TO STEEL	BACK HDPE TO STEEL - SELF TAPPING SCREW
		SEAT HDPE TO STEEL - 1MM THK 25MMX30MM FLAT BAR, M6X12 BOLT

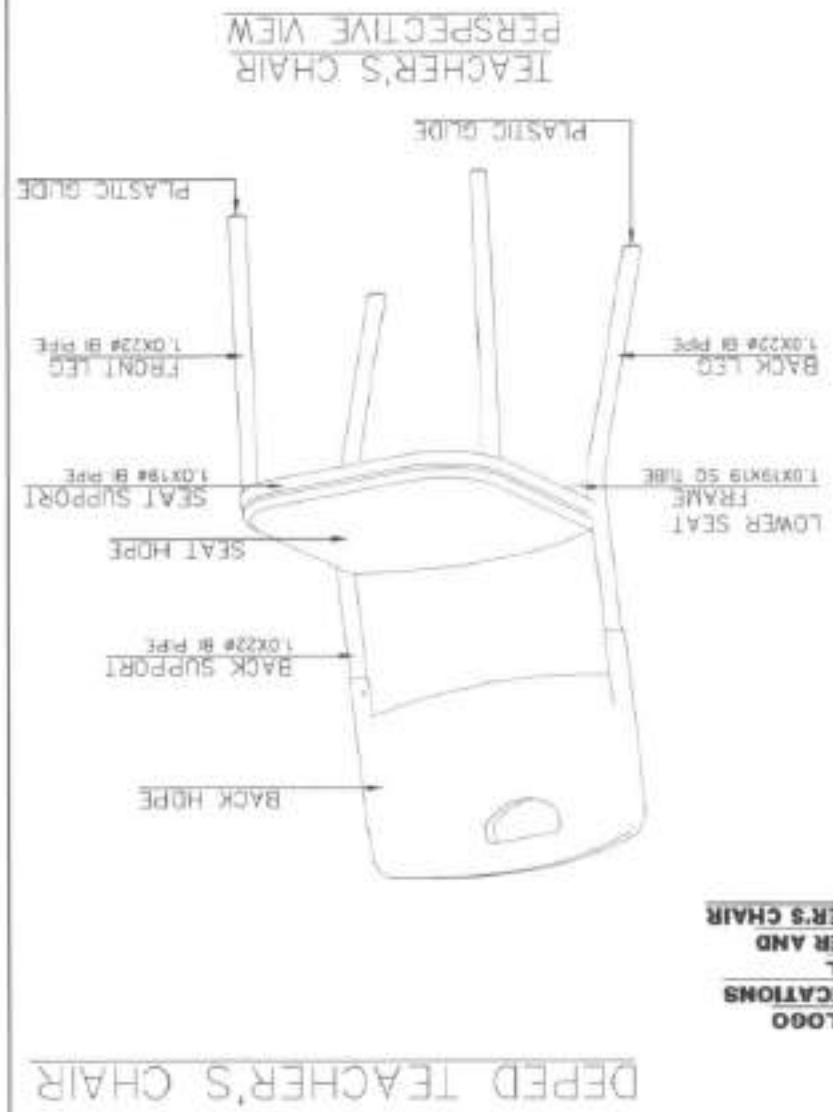
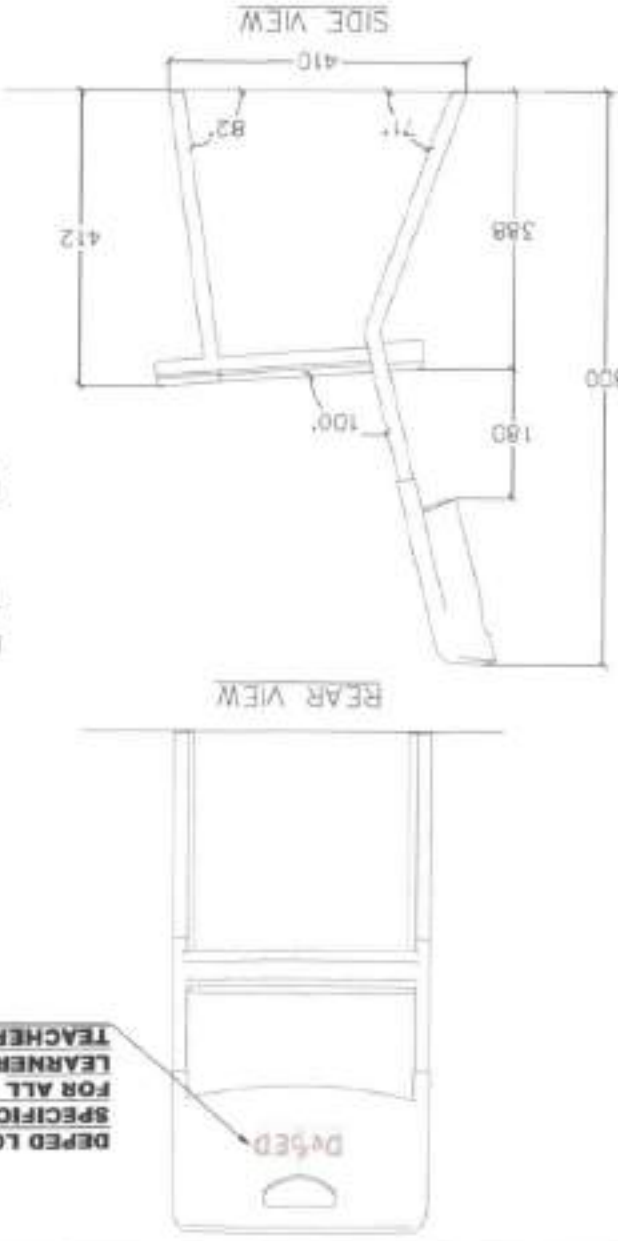
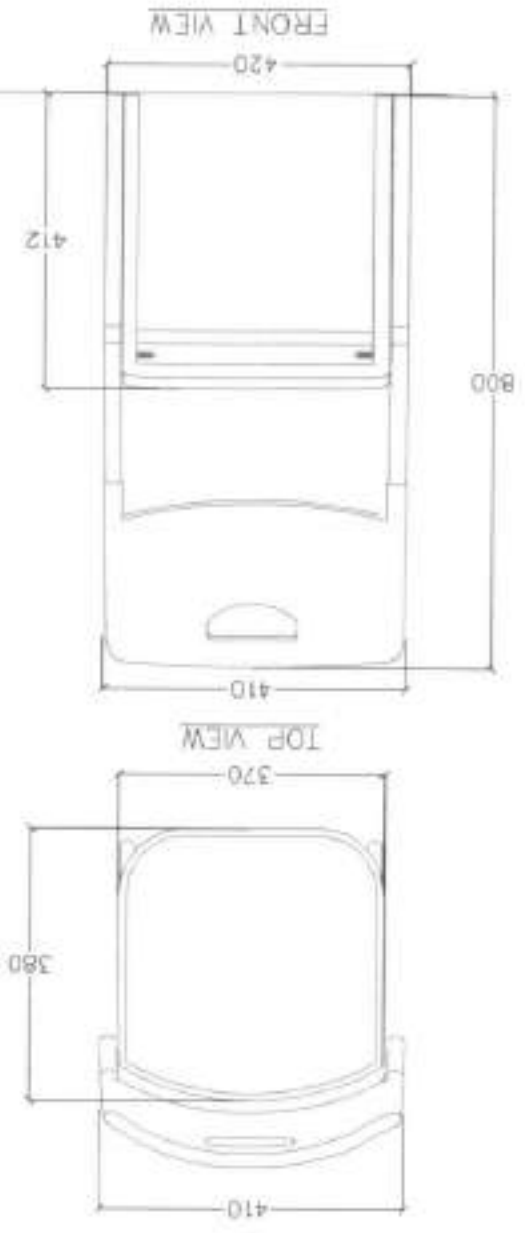
SCHEDULE OF FINISHES

BLOW MOLDED	HIGH-DENSITY POLYETHYLENE (HDPE) PLASTIC
METAL/STEEL TUBULAR	80-80 MICRON POWDER COAT FINISH FLAT BLACK FINISH
HDPE COLOR	REFER TO COLOR CODE PANTONE 4885C OR COLOR HEX: #4d4788 / RGB 205, 167, 138 / CMYK: 05, 19%, 34%, 20%

DIMENSIONS OF TEACHER'S CHAIR (mm)

COMPONENTS	DIMENSIONS
SEAT HEIGHT	410
SEAT DEPTH	380
SEAT WIDTH	370
BACK HEIGHT	800
BACK WIDTH	410

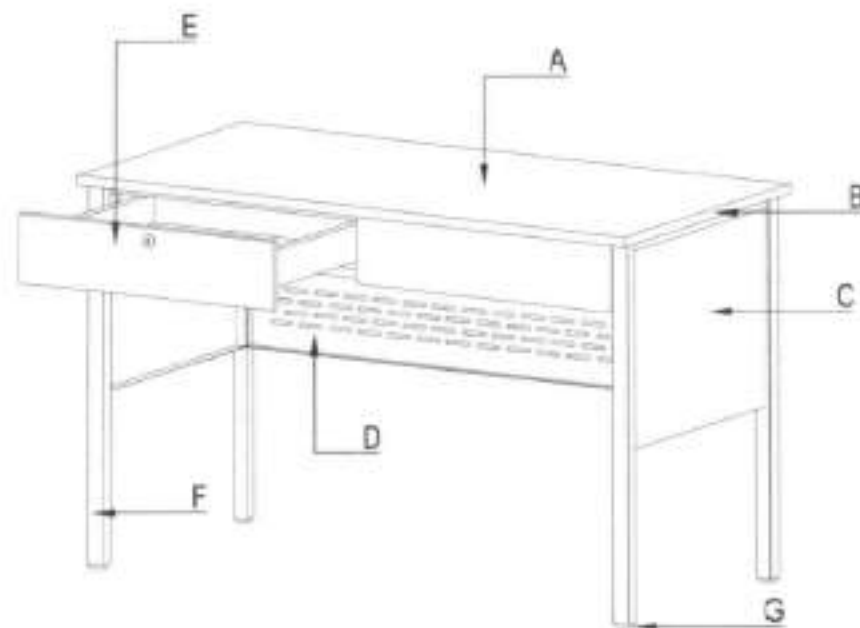
				TEACHER'S CHAIR (HDPE & STEEL)	TECHNICAL SPECIFICATION SCHEDULE OF FINISHES FINISH APPLICATION DIMENSIONS ISOMETRIC VIEW	1 2
--	--	--	--	---	---	--------



DEPED LOGO
 FOR ALL
 LEARNER AND
 TEACHER'S CHAIR

DEPED TEACHER'S CHAIR

1 TECHNICAL SPECIFICATIONS OF TEACHER'S TABLE		
MARK	COMPONENTS	SPECIFICATIONS
A	TABLE TOP	18MM THK TOP BOARD ROUND CORNERS (1 SIDE 1.0MM THK HIGH PRESSURE LAMINATE /1 SIDE VARNISH FINISHES ON MARINE PLYWOOD)
B	EDGING	2.0MM THICK PVC EDGING
C	SIDE COVER	0.6MM THICK COLD ROLL STEEL IN POWDER COATED FINISHES
D	FRONT COVER	0.6MM THICK COLD ROLL STEEL IN POWDER COATED FINISHES WITH PUNCH HOLE DESIGN
E	PULL OUT DRAWER	DRAWER FACE : 1 SIDE 1.3MM THK HIGH PRESSURE LAMINATE / 1 SIDE VARNISH FINISHES ON 18MM THICK MARINE PLYWOOD DRAWER BOX : 0.6MM THICK COLD ROLL STEEL IN POWDER COATED FINISHES DRAWER LOCK : 1 LOCK ONLY PER TABLE.
	DRAWER GUIDE	405MM LONG RAIL GUIDE
F	MAIN FRAME	1.0MMTHX30MMX30MM STEEL TUBULAR
	SECONDARY FRAME	1.0MMTHX30MMX30MM STEEL TUBULAR
G	ADJUSTABLE LEVELER	8MMØ THREAD WITH 38MMØ PLASTIC BASE
	CONNECTOR	METAL FRAME BAR AND SCREW
	CONNECTION	WOOD TO STEEL: SCREW; WOOD SCREW STEEL TO STEEL: FULL WELDING FOR TUBULAR TO FLAT BAR/CONNECTION STEEL TO STEEL (KNOCKDOWN): BOLT AND NUT FOR STEEL TUBULAR K.O. DESIGN IS FOR BIDDER TO PROPOSE



ISOMETRIC VIEW OF TEACHER'S TABLE

2a SCHEDULE OF FINISHES	
TOP BOARD	18MM THK TOP BOARD ROUND CORNERS (1 SIDE 1.0MM THK HIGH PRESSURE LAMINATE /1 SIDE VARNISH FINISHES ON MARINE PLYWOOD)
EDGING	2.0MM THICK PVC EDGING
SIDE/FRONT COVER	60-80 MICRON POWDER COAT FINISH FLAT BLACK FINISH
METAL/STEEL TUBULAR	60-80 MICRON POWDER COAT FINISH FLAT BLACK FINISH
LAMINATE COLOR	PANTONE 729C OR COLOR HEX #8a7c45 / RGB 136, 124, 69 / CMYK 0%, 33%, 63%, 27% WITH WOOD GRAIN (SEPRANO BEECH OR EQUIVALENT)

2b EDGING - APPLICATION	
1	GLUE APPLICATION ON EDGE OF TABLE TOP
2	APPLY PVC EDGING AND TRIM AND CLEAN

3 DIMENSIONS OF TEACHER'S TABLE (mm)			
MARK	COMPONENTS	DIMENSIONS	REMARKS
a	TABLE HEIGHT	750	ALL DIMENSION SHALL BE SUBJECTED TO A MAXIMUM TOLERANCE OF PLUS 10MM
b	TABLE LENGTH	1200	
c	TABLE WIDTH	600	
d	SIDING/FRONT COVER	380	

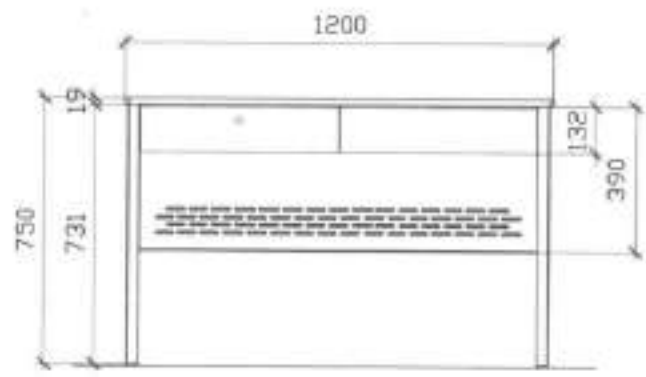
	DESIGNED BY: JY REBORDO, E-164840 DESIGNER	REVISIONS APPROVAL: ENGR. AMABELLE B. RAMOS OFP - DIVISION OFFICE MANILA	APPROVED BY: ALAN D. PICO SUPERVISOR FOR MANUFACTURE	PROJECT TITLE: TEACHER'S TABLE (WOOD & STEEL)	DATE SUBMITTED: TECHNICAL SPECIFICATION SCHEDULE OF FINISHES EDGING APPLICATION CONNECTION DRAWING JOB	DATE NO: 1 6
	OF 2021					



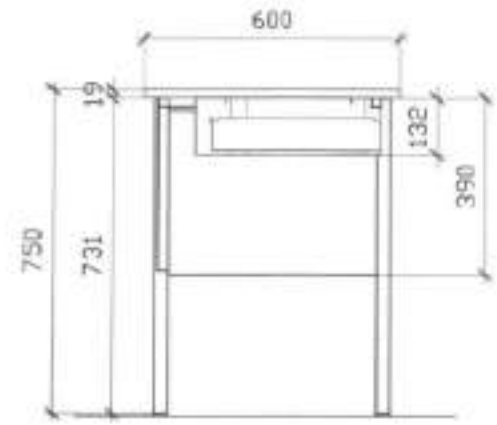
PLAN



PERSPECTIVE



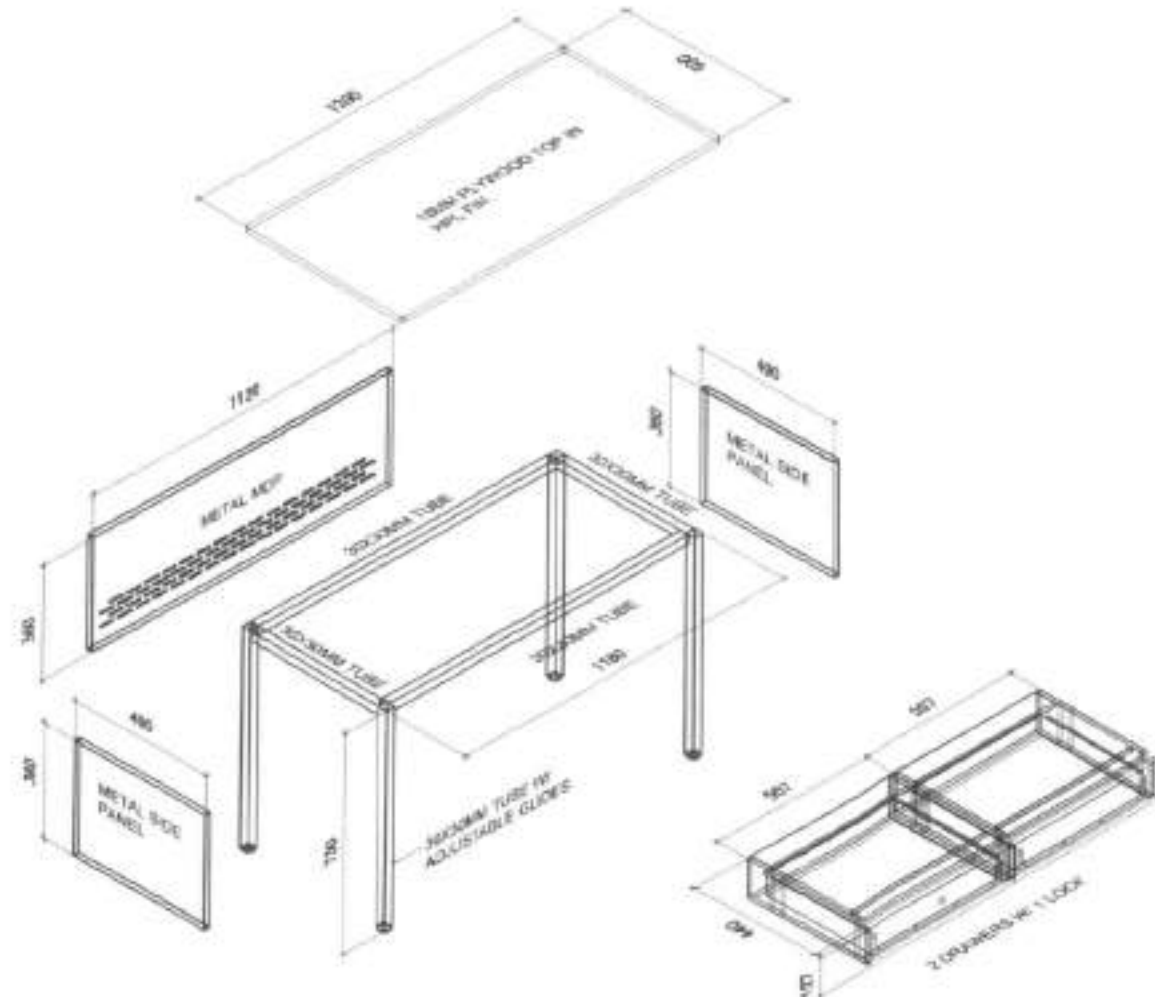
FRONT ELEV.



SECTION

 <p>DepED DEPARTMENT OF EDUCATION BUREAU FOR ELEMENTARY EDUCATION BUREAU FOR SECONDARY EDUCATION</p>	<p>DESIGNED BY: <i>[Signature]</i> JT RIVERO C. ALASAD ARCHITECT</p>	<p>REVISIONS APPROVAL: <i>[Signature]</i> ENR. AMABELLE S. FARGON ENR - DESIGN INCHARGE ENGINEER</p>	<p>APPROVAL BY: <i>[Signature]</i> ALVIN DELA ROSA SUPERVISOR FOR ADMINISTRATION</p>	<p>PROJECT TITLE: TEACHER'S TABLE (WOOD & STEEL)</p>	<p>DRAWING CONTENT: PLAN PERSPECTIVE FRONT ELEVATION SECTION</p>	<p>SHEET NO: 2 6</p>
---	--	--	--	---	--	------------------------------

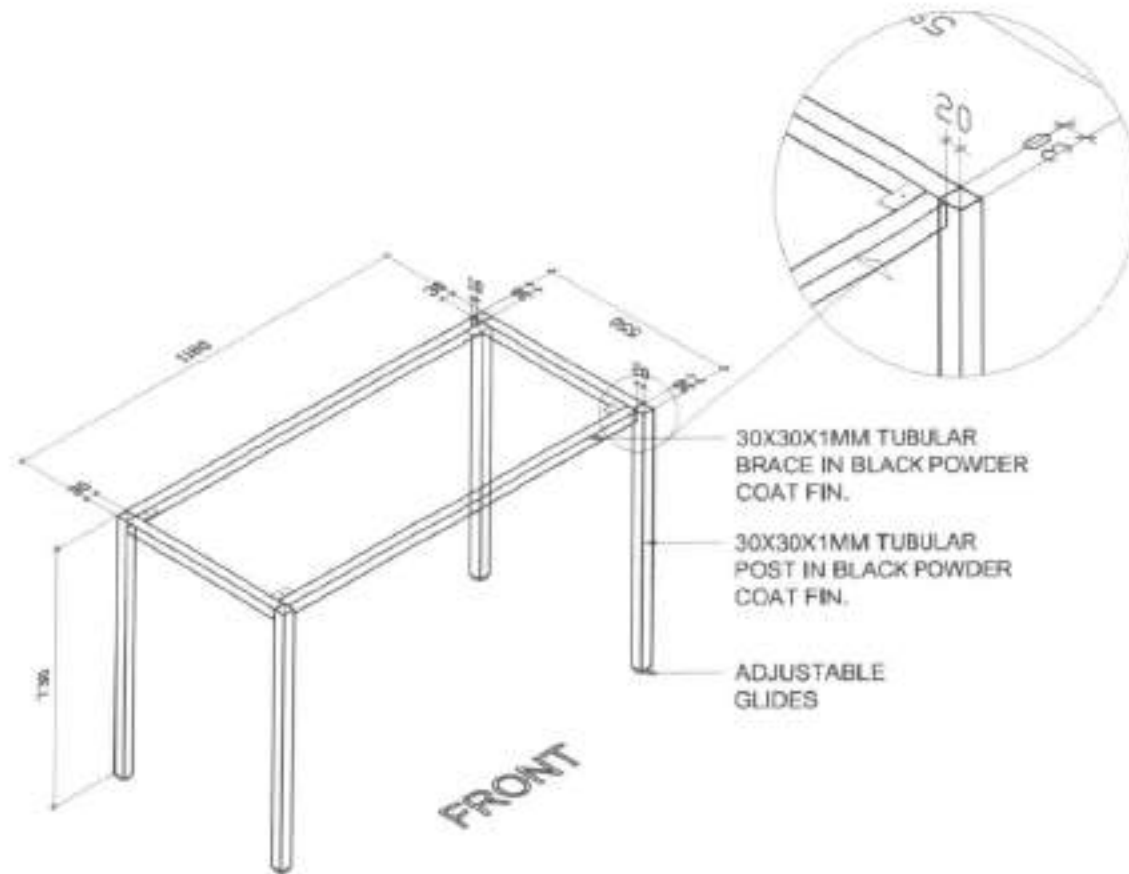
TEACHER'S TABLE



EXPLODED VIEW

<p>DepED DEPARTMENT OF EDUCATION CALOOCAN CITY OFFICE</p>	<p>DESIGNED BY: JC. BARRON & PARTNERS ARCHITECT</p>	<p>RECOMMENDED APPROVAL: ENR. ANTONIO S. PANGIL ENR - TRAINING FACILITY DIVISION</p>	<p>APPROVED BY: ALVIN B. B. PANGIL SUPERVISOR OF CONSTRUCTION</p>	<p>PROJECT TITLE: TEACHER'S TABLE (WOOD & STEEL)</p>	<p>DATE SUBMITTED: TEACHER'S TABLE EXPLODED VIEW</p>	<p>SHEET NO: 3 6</p>
---	---	--	---	--	--	------------------------------

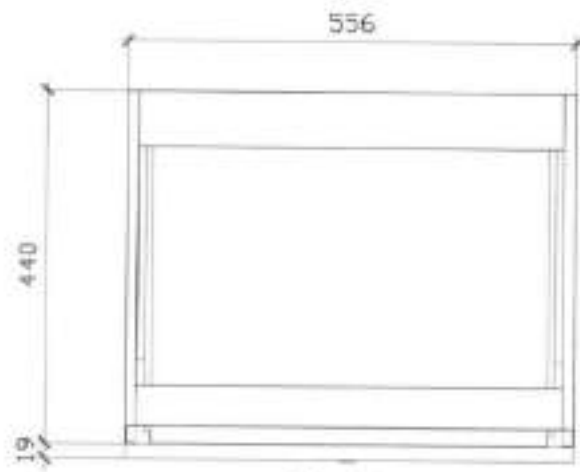
METAL FRAMING DETAIL



PERSPECTIVE

 <p>DEPARTMENT OF EDUCATION BUREAU OF TECHNICAL EDUCATION MAGSAYSAY AVE. CEBU</p>	<p>DESIGNED BY: <i>[Signature]</i> JIT NEERHO C. KLASAG INSET</p>	<p>REVISIONS APPROVAL: <i>[Signature]</i> ENR. AMABELLE S. FAYON DET - DESIGN POLICE GROUP</p>	<p>APPROVED BY: <i>[Signature]</i> KAREL D. B. POCAL SUPERVISOR FOR ADMINISTRATION</p>	<p>PROJECT TITLE: TEACHER'S TABLE (WOOD & STEEL)</p>	<p>DRAW CATEGORY: METAL FRAMING PERSPECTIVE</p>	<p>SHEET NO: 4 6</p>
--	---	--	--	--	---	------------------------------

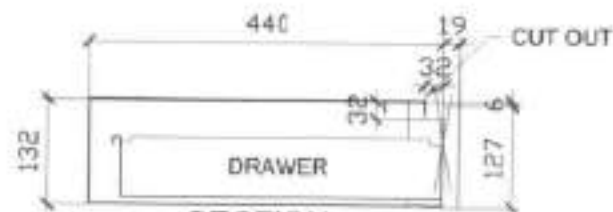
METAL CENTRAL DRAWER DETAIL



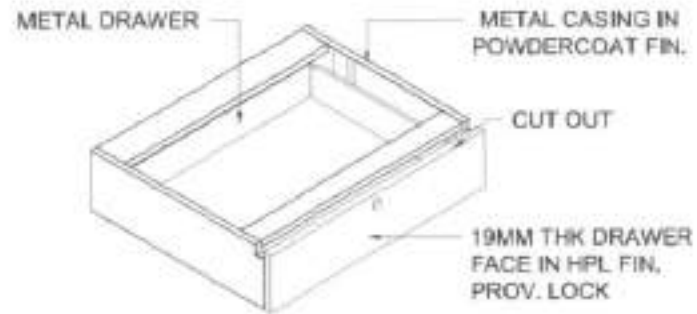
PLAN



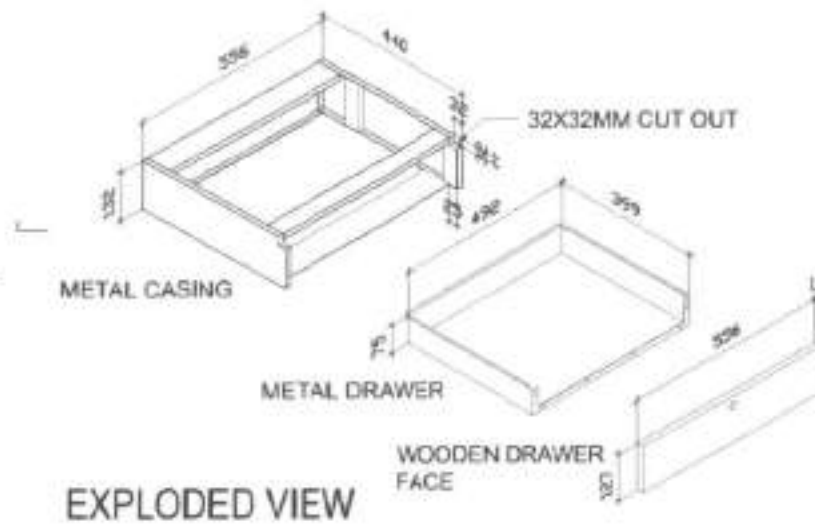
FRONT ELEV.



SECTION



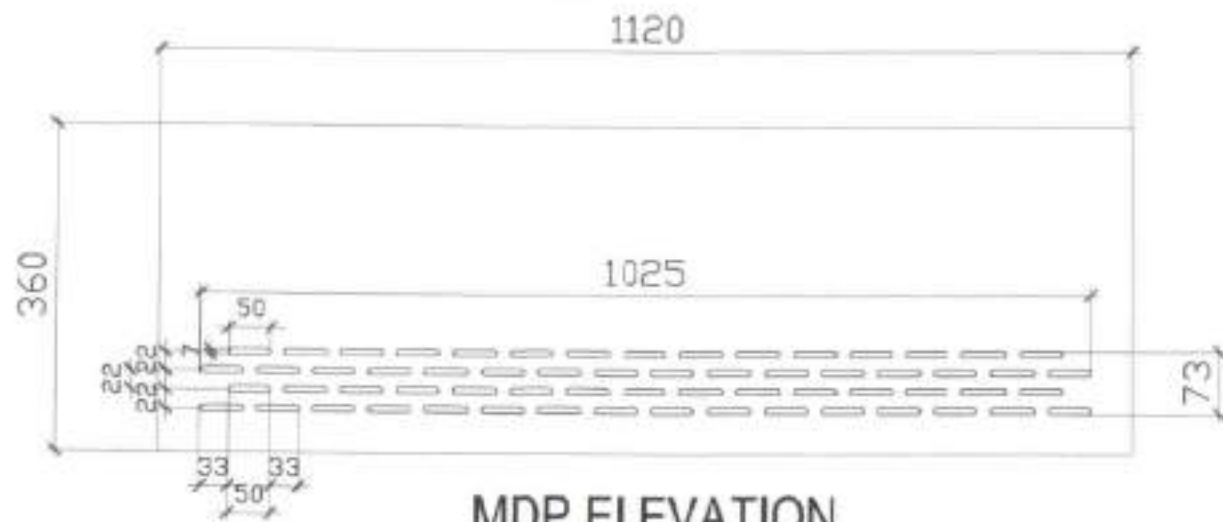
PERSPECTIVE



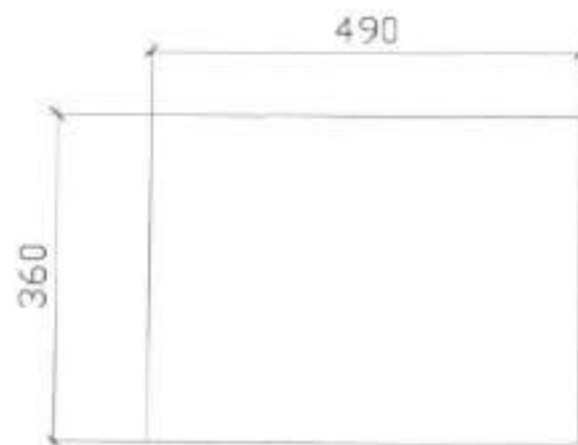
EXPLODED VIEW

 <p>DEPARTMENT OF EDUCATION DIVISION OFFICE - CALABARZON MARICORAN, PANGSILAN</p>	<p>DESIGNED BY:</p>  <p>JET RAMON O. ALBADOL ARCHITECT</p>	<p>EXERCISING SPECIAL:</p>  <p>INES AMABELLE R. GARBIN CMT - EDUCATION FACILITIES DIVISION</p>	<p>APPROVED BY:</p>  <p>ALAN B. PISON UNIVERSITY OF CALABARZON</p>	<p>PROJECT TITLE:</p> <p>TEACHER'S TABLE (WOOD & STEEL)</p>	<p>DRAWING CONTENTS:</p> <p>METAL DRAWER DETAIL FRONT ELEVATION SECTION EXPLODED VIEW PERSPECTIVE</p>	<p>DRAWING NO.</p> <p>5 6</p>
	<p>DATE: 07/2021</p>					

PERFORATED MDP & SIDE PANEL DETAIL



MDP ELEVATION



SIDE PANEL ELEVATION

 <p>DepED DEPARTMENT OF EDUCATION BUREAU OF TECHNICAL EDUCATION MANILA OFFICE</p>	<p>DESIGNED BY:  JET REYNOLDO S. ALONSO ARCHITECT</p>	<p>REVISIONS APPROVAL:  ENGR. ANABELLE S. RAMOS DAEP - DIVISION OFFICE QUEZON</p>	<p>APPROVED BY:  NANCY D. S. TIOGA SUPERVISOR FOR LABORATORIES</p>	<p>PROJECT TITLE: TEACHER'S TABLE (WOOD & STEEL)</p>	<p>SHEET NUMBER: PERFORATED MDP & SIDE PANEL DETAIL</p>	<p>SHEET NO: 6 6</p>
---	---	--	--	---	---	------------------------------